

monarch 6032

60" x 32" x 20"



Product No.

Model	Standard (S) ^o	TMU	BMODRB00T-XX	Soaker	BMODRB00N-XX
Model	Grand Luxury (GL) ^o	TMU	BMLDRB00T-XX	Soaker	BMLDRB00N-XX

ThermoMasseur (TMU)

Air Jet System	\$6,095 (S) ^o
	\$9,910 (GL) ^o
Jets	37
1 heated backrest	Included
MiaPlus [®] Control	Included
BU-Touch Control Application <i>BUTOUCH</i>	\$520
Geysair [®]	Included
Illuzio Chromatherapy <i>BCHRO6</i>	\$1,045

Soaker

	\$3,775 (S) ^o
	\$7,545 (GL) ^o
Illuzio Chromatherapy <i>BCHRO6</i>	\$1,045
WarmTouchShell [®] <i>BWTS</i>	\$1,180
DOT Control	Included with therapy

Features

Installation Type	Drop-in & Alcove (3 walls)	
No. of bathers ↓ Imp. gallons 42 US gallons 50		
Integrated Drain & Overflow — ZenFlow [†] <i>BOVERINIZF-01</i>		
<input type="radio"/> White 01	Installed & Included	
Standard Bath Color (inner shell)		
<input type="radio"/> White 01	Included	
Quartz Deck Color	S ^o <i>BDMO6032-XX</i>	GL ^o <i>BDML6032-XX</i>
<input checked="" type="radio"/> Grey Expo 21 <input checked="" type="radio"/> Noka 22 <input checked="" type="radio"/> Lagos Blue 24	Included	Included

Options UPCHARGE APPLICABLE

Quartz Deck Color	S ^o <i>BDMO6032-XX</i>	GL ^o <i>BDML6032-XX</i>
<input checked="" type="radio"/> Piatra Grey 26 <input checked="" type="radio"/> Woodlands 30	\$475	\$1,640

Finish (inner shell)

UltraVelour Matte Finish (white only) <i>BVEL1</i>	\$685
--	-------

Quartz Skirt 6018 (60" x 18" 7/8) *BSM6018-XX*

<input checked="" type="radio"/> Grey Expo 21	\$1,255
<input checked="" type="radio"/> Noka 22	\$1,380
<input checked="" type="radio"/> Lagos Blue 24	\$1,380
<input checked="" type="radio"/> Piatra Grey 26 <input checked="" type="radio"/> Woodlands 31	\$2,010

Tile Flange (specify right or left)

Ordered with bath (not installed) <i>BTILEN</i>	\$85
Factory-installed. Right <i>BTILER</i> , Left <i>BTILEL</i> , Special installation <i>BTILEO</i>	\$165

Bath Pillow *BPILLOW*

Comfort Cushion <i>BCUSHIONA</i>	\$250
----------------------------------	-------

<input checked="" type="radio"/> Grey 05 <input checked="" type="radio"/> Black 02	\$565
--	-------

Drain & Overflow

<input checked="" type="radio"/> Chrome 07	Integrated ZenFlow [†] <i>BOVERINIZF-XX</i>	Integrated with trim <i>BOVERIN-XX</i>	16" x 35" <i>BOVER16-XX</i>
<input checked="" type="radio"/> White 01	\$40	\$75	\$100
<input checked="" type="radio"/> Brushed Nickel 09 <input checked="" type="radio"/> Polished Nickel 10	Incl.	\$40	\$130
<input checked="" type="radio"/> Oil-rubbed Bronze 11	\$40	\$75	\$245
<input checked="" type="radio"/> Matte Black 19 <input checked="" type="radio"/> Satin Brass 18	N/A	N/A	\$245
<input checked="" type="radio"/> Matte White 32	\$100	\$130	N/A
	\$40	\$75	N/A

If Required by Construction Code

Brass drain & overflow kit [‡] <i>BDRCOB</i>	\$250	Brass drain kit [‡] <i>BDRCB</i>	\$65
16" x 35" Cable driven brass drain & overflow kit <i>BOVERBR</i>	\$250		

⚠ Don't forget that this model is available in White only with choice of quartz deck color. Don't forget to specify the finish of the Integrated drain & overflow.

https://bainultra.com/sites/default/files/product_files/product-sheet-monarch-6032.pdf

[†] ZenFlow: Integrated overflow without a trim.

^o Standard: Quartz deck with seam. Grand Luxury: one piece Quartz deck.

[‡] When ordered with Integrated drain & overflow.

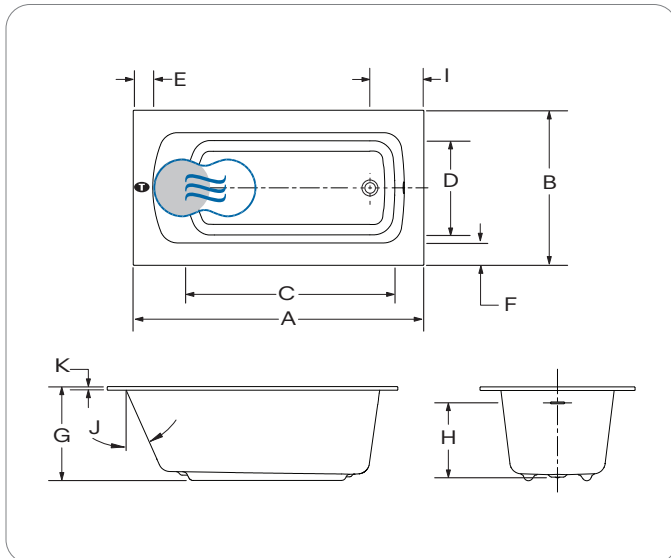
monarch 6032

60" x 32" x 20"



Bianco Drift quartz deck

Technical Specifications



Letter	Description	Measure
A	Total length	60"
B	Total width	32"
C	Bathing well length (at height of jets)	43 5/8"
D	Bathing well width (at height of jets)	19 5/8"
E	Deck width (edges)	4"
F	Deck width (sides)	4 5/8"
G	Bath height	19 7/8"
H	Maximum water level Maximum water level with AromaFlow	15 1/8" 13 3/16"
I	Outside edge to center drain	11 1/8"
J	Slope of backrest	24°
K	Quartz deck height	3/4"

Turbine position (TMU)
 Indicates heated backrest (TMU)
 Indicates WarmTouchShell® position (Soaker)

Hot water supply required	The hot water supply should be 70% or more of the bath's total water capacity.
Turbine	Access to the pump must be at least 18" x 22". Standard connection is 20 A, 120 V, 60 Hz, dedicated line with a Ground-Fault Circuit Interrupter (GFCI). For any additional option, a second line is needed 15 A, 120 V, 60 Hz, dedicated line with a GFCI.
Others	The Geysair® is located on the same side as the heated backrest. It must not be relocated. It must be connected to the hot water supply and be accessible (provide access). Control cannot be installed on the Quartz deck. Optional Tile Flange (specify right or left).

Our products must be installed by certified professionals only and according to our Owner's Manual as well as federal, provincial/state and local building codes and regulations (www.bainultra.com/dealers/dealer-documentation-and-catalog).

Approx. shipping weight	214 lb
Turbine power	550 W
Air heater	600 W

Warranty

Controls-LED-Geysair*	5 years
Quartz deck*	15 years
Bath & turbine*	20 years

* Some restrictions apply | www.bainultra.com/warranty

Dimensions are subject to change; measured at external edges. Bathing well measured at air jet level. Tolerance: ±0.25" (±0.64 cm). Ensure bathtub is received prior to any construction. BainUltra® is not responsible for any preparatory work done before product arrival.