

# meridian 6042

60" x 42" x 21"



## Product No.

Model	TMU BMEGRIO0T-XX	Soaker BMEGRIO0N-XX
-------	------------------	---------------------

## ThermoMasseur (TMU)

Air Jet System	<b>\$5,440</b>
Jets	41
1 heated backrest	Included
MiaPlus® Control	Included
BU-Touch Control Application <i>BUTOUCH</i>	\$495
Geysair®	Included
AromaCloud®** <i>BAROMAC</i>	\$590
Illuzio Chromatherapy <i>BCHRO6</i>	\$995

## Soaker

AromaCloud®** <i>BAROMAC</i>	\$590
Illuzio Chromatherapy <i>BCHRO6</i>	\$995
WarmTouchShell® <i>BWTS</i>	\$1,125
DOT Control	Included with therapy

## Features

Installation Type	Drop-in, Undermount & Alcove (3 walls)
No. of bathers ↓ Imp. gallons 52 US gallons 62	
Standard Bath Color	
<input type="radio"/> White 01 <input type="radio"/> Biscuit 02	Included

## Options UPCHARGE APPLICABLE

Skirt	<i>BSMUL-XX</i>	Multifit <i>BSJI-XX</i>	SJ-1
<input type="radio"/> White 01 <input type="radio"/> Biscuit 02		\$695	\$715
Tile Flange (specify right or left)			
Ordered with bath (not installed) <i>BTILEN</i>		\$79	
Factory-installed. Right <i>BTILER</i> , Left <i>BTILEL</i> , Special installation <i>BTILEO</i>		\$155	
Bath Pillow <i>BPILLOW</i>		\$240	
Comfort Cushion <i>BCUSHIONA</i>		\$540	
<input type="radio"/> Grey 05 <input type="radio"/> Black 02			
Drain & Overflow		Integrated ZenFlow† <i>BOVERINZF-XX</i>	16" x 35" <i>BOVER16-XX</i>
<input type="radio"/> Chrome 07		\$205	\$260
<input type="radio"/> White 01 <input type="radio"/> Biscuit 02		\$165	\$290
<input type="radio"/> Brushed Nickel 09		\$205	\$290
<input type="radio"/> Polished Nickel 10		\$205	\$290
<input type="radio"/> Oil-rubbed Bronze 11		N/A	\$400
<input type="radio"/> Matte Black 19 <input type="radio"/> Satin Brass 18		\$260	N/A
If Required by Construction Code			
16" x 35" Cable driven brass drain & overflow kit <i>BOVERBR</i>		\$240	
Brass drain & overflow kit‡ <i>BDRCOB</i>		\$240	
Brass drain kit‡ <i>BDRCB</i>		\$60	

† ZenFlow: Integrated overflow without a trim.

‡ When ordered with Integrated drain & overflow.

\*\* The AromaCloud® is built into the deck (factory installed). Not available for undermount installation.

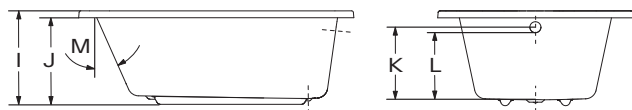
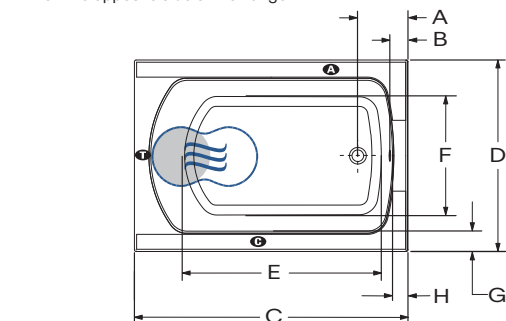
# meridian 6042

60" x 42" x 21"



## Technical Specifications

- A** When tile flange is added, the AromaCloud® will automatically be installed on the opposite side of the flange.



Letter	Description	Measure
A	Outside edge to center drain	11"
B	Outside edge to overflow	4"
C	Total length	60"
D	Total width	42"
E	Bathing well length	43 5/8"
F	Bathing well width	26 1/4"
G	Deck width	4 1/4"
H	Deck width at drain end	2 7/8"
I	Height from bottom of bath to top deck	20 1/2"
J	Height from bottom of bath to bottom of deck	19"
K	Height from bottom of drain to center of overflow	17"
L	Maximum water level (Drain & overflow 16" x 35")	14 3/8"
M	Slope of backrest	24°

- A** AromaCloud® position. When the tile flange is added, the AromaCloud® will automatically be installed on the opposite side of the flange.  
**B** Control position when factory-installed (Mia® or DOT) **T** Turbine position (TMU)  
 ● Indicates heated backrest (TMU) ☉ Indicates WarmTouchShell® position (Soaker)

Hot water supply required	The hot water supply should be 70% or more of the bath's total water capacity.
Turbine	Access to the pump must be at least 18" x 22". Standard connection is 20 A, 120 V, 60 Hz, dedicated line with a Ground-Fault Circuit Interrupter (GFCI). For any additional option, a second line is needed 15 A, 120 V, 60 Hz, dedicated line with a GFCI. Air vent necessary: 2" x 4" minimum.
Others	The Geysair® is located on the same side as the heated backrest. It must not be relocated. It must be connected to the hot water supply and be accessible (provide access).
	Optional Tile Flange (specify right or left). When ordered with a factory-installed tile flange, the control will not be installed on the bath.

Our products must be installed by certified professionals only and according to our Owner's Manual as well as federal, provincial/state and local building codes and regulations ([www.bainultra.com/dealers/dealer-documentation-and-catalog](http://www.bainultra.com/dealers/dealer-documentation-and-catalog)).

Cutting template	# 90000051
Approx. shipping weight	126 lb
Turbine power	550 W
Air heater	600 W

## Warranty

Controls-LED-Geysair*	5 years
Bath & turbine*	20 years

\* Some restrictions apply | [www.bainultra.com/warranty](http://www.bainultra.com/warranty)

Dimensions are subject to change; measured at external edges. Bathing well measured at air jet level. Tolerance: ±0.25" (±0.64 cm). Ensure bathtub is received prior to any construction. BainUltra® is not responsible for any preparatory work done before product arrival.