



PRODUCT SHEET

AMMA 7242

72" X 42" X 22"



THERMOMASSEUR® BATH	\$
TUB	\$

THERMOMASSEUR (TMU)	
Jets	58
2 heated backrests (Independently controlled)	included
2 heated headrests (Independently controlled)	included
MiaPlus® Control	included
Geysair®	included
AromaCloud®	\$
Illuzio Chromatherapy NEW	\$

TUB (soaker)	
AromaCloud®	\$
Illuzio Chromatherapy NEW	\$
WarmTouchShell®	\$
DOT control	included with therapy
2 nd WarmTouchShell®	\$

FEATURES			
Installation types		Drop-in & Alcove (3 walls)	
No. of bathers		Inverted V	2
US gallons	65	Armrests	4
Imp. gallons	54	Grab bars (color match)	2
Raised seats	2		

OPTIONAL UPCHARGE APPLICABLE		
COLOR		
Standard		
White	Biscuit	
Optional		
		\$
Gray		
CONTROL (TMU ONLY)		
MiaMulti®		\$
SKIRT		
	MULTIFIT	SJ-1
Skirt	\$	\$
Optional color	\$	\$
CLEAR ACRYLIC GRAB BARS		
With Chrome, Brass or Brushed nickel inserts		\$
WASTE & OVERFLOW		
	16" X 35"	INTEGRATED WASTE & OVERFLOW
Chrome	\$	\$
White, Biscuit	\$	\$
Brass	\$	\$
Brushed nickel, Polished nickel	\$	\$
Oil-rubbed bronze	\$	N/A
TILE FLANGE (specify front or back)		
Ordered with bath, uninstalled		\$
Factory-installed		\$

1 800 463.2187 info@bainultra.com

From 8 a.m. to 8 p.m. Monday to Thursday (EST)
From 8 a.m. to 5 p.m. on Friday (EST)

AMMA 7242 72" X 42" X 22"

ACCESSORIES (OPTIONAL)

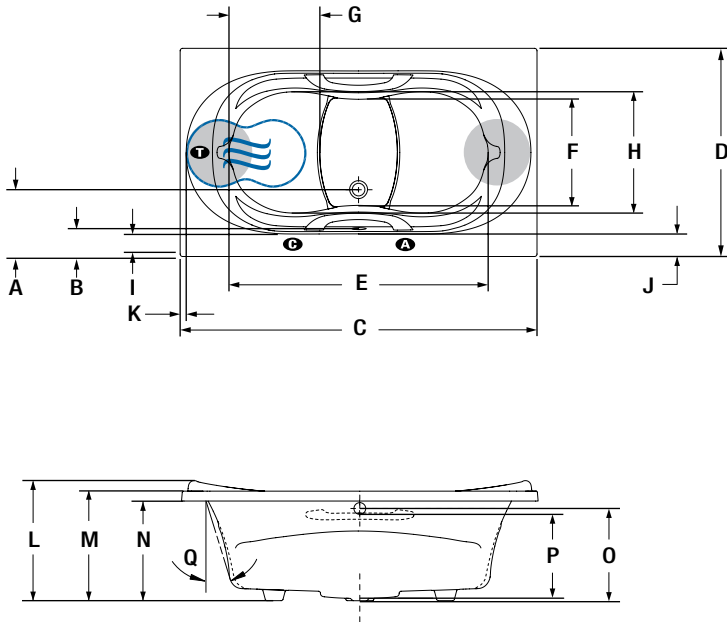
OTHER

Optional tile flange (specify front or back).

TOTAL PRICE

\$

DROP-IN/ALCOVE INSTALLATION



LETTER	DESCRIPTION	MEASURE
A	Outside edge to center drain	13 1/2"
B	Outside edge to overflow	5 3/8"
C	Total length	72 1/4"
D	Total width	42"
E	Bathing well length	52 1/4"
F	Bathing well width at foot area	21 3/8"
G	Raised seat length	18 5/8"
H	Raised seat width	24"
I	Deck width (narrowest point)	4"
J	Deck width (widest point)	5 1/4"
K	Deck width at backrest end	1 1/4"
L	Total height to headrest	24 1/4"
M	Height from bottom of tub to top deck	22 1/8"
N	Height from bottom of tub to bottom of lip	20 1/8"
O	Height from drain to center of overflow	18 1/8"
P	Maximum water level	16 3/8"
Q	Slope of backrest	18°

- A** AromaCloud position
- B** Control position when factory-installed (Mia or Dot)
- C** Turbine position (TMU)
- Heated backrest (TMU)
- ☄ WarmTouchShell position

When tiling flange is added, the AromaCloud will automatically be installed on the opposite side of the flange.

TECHNICAL SPECIFICATIONS

Hot water supply required Should be 70% of water capacity of tub or greater.

Turbine Access to the pump must be at least 18" X 22". **Standard connection is 20 A, 120 V, 60 hz,** dedicated line with a Ground-Fault Circuit Interrupter (GFCI). **For any additional option, a second line is needed 15 A, 120 V, 60 hz,** dedicated line with a GFCI. Air vent necessary: 2" X 4" minimum

Our products must be installed by certified professionals only and according to our Owner's Manual as well as federal, provincial/state and local building codes and regulations (www.bainultra.com/documentation/documentation).

Approx. shipping weight 195 lbs

Turbine power 550 W

Air heater 600 W

WARRANTY

Controls-LED-Geysair* 5 years

Bath & turbine* 20 years

*Some restrictions apply | www.bainultra.com/warranty



The specifications shown indicate the outer edge dimension and the inside bathing capacity dimension measured at air jets' height. The manufacturer accepts a 1/4" [0,64 cm] variance. There are variations on each product and specifications are subject to change as we improve upon our product as required. The dimensions needed for site preparation and structure building will differ. BainUltra® assumes no responsibility for preparatory work done prior to the product being on site.