

amma 6032

60" x 32" x 21"



Product No.

Model	TMU BAMDRB00T-XX	Soaker BAMDRB00N-XX
-------	------------------	---------------------

ThermoMasseur (TMU)

Air Jet System	\$6,870
Jets	45
1 heated backrest & headrest	Included
MiaPlus® Control	Included
BU-Touch Control Application <i>BUTOUCH</i>	\$520
Geysair®	Included
AromaCloud®** <i>BAROMAC</i>	\$620
Illuzio Chromatherapy <i>BCHRO6</i>	\$1,045

Soaker

	\$4,260
AromaCloud®** <i>BAROMAC</i>	\$620
Illuzio Chromatherapy <i>BCHRO6</i>	\$1,045
WarmTouchShell® <i>BWTS</i>	\$1,180
DOT Control	Included with therapy

Features

Installation Type	Drop-in & Alcove (3 walls)
No. of bathers Imp. gallons 39 US gallons 46 Raised seat 1 Inverted V 1 Armrests 2	
Standard Bath Color	
<input type="radio"/> White 01 <input type="radio"/> Biscuit 02	Included

Options UPCHARGE APPLICABLE

Skirt	<i>BSMUL-XX</i>	Multifit <i>BSJI-XX</i>	SJ-1
<input type="radio"/> White 01 <input type="radio"/> Biscuit 02		\$730	\$750
Tile Flange (specify right or left)			
Ordered with bath (not installed) <i>BTILEN</i>		\$85	
Factory-installed, Right <i>BTILER</i> , Left <i>BTILEL</i> Special installation <i>BTILEO</i>		\$165	
Bath Pillow <i>BPILLOW</i>		\$250	
Drain & Overflow		Integrated ZenFlow™ <i>BOVERINZF-XX</i>	Integrated with trim <i>BOVERIN-XX</i>
<input type="radio"/> Chrome 07	\$215	\$245	\$275
<input type="radio"/> White 01 <input type="radio"/> Biscuit 02	\$175	\$215	\$305
<input type="radio"/> Brushed Nickel 09	\$215	\$245	\$305
<input type="radio"/> Polished Nickel 10	\$215	\$245	\$305
<input type="radio"/> Oil-rubbed Bronze 11	N/A	N/A	\$420
<input type="radio"/> Matte Black 19 <input type="radio"/> Satin Brass 18	\$275	\$305	N/A
If Required by Construction Code			
Brass drain & overflow kit† <i>BDRCOB</i>		\$250	
Brass drain kit‡ <i>BDRCB</i>		\$65	
16" x 35" Cable driven brass drain & overflow kit <i>BOVERBR</i>		\$250	

† ZenFlow: Integrated overflow without a trim.

** The AromaCloud® is built into the deck (factory installed).

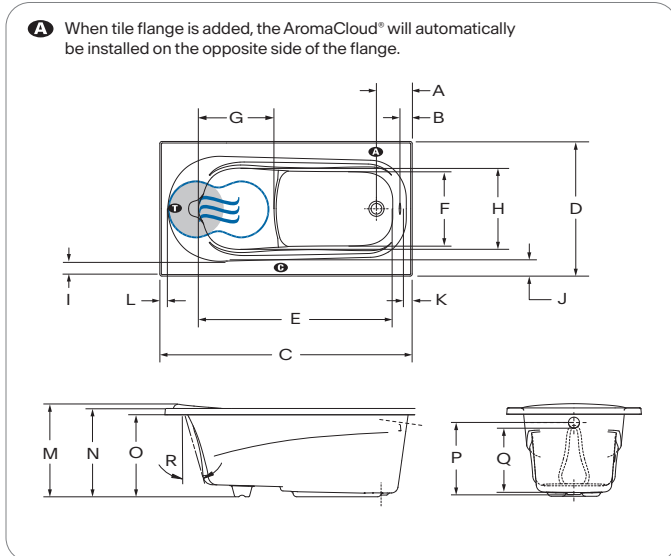
‡ When ordered with Integrated drain & overflow.

amma 6032

60" x 32" x 21"



Technical Specifications



Letter	Description	Measure
A	Outside edge to center drain	8 1/2"
B	Outside edge to overflow	2 1/2"
C	Total length	60"
D	Total width	32"
E	Bathing well length	46 1/4"
F	Bathing well width at center zone	17 1/2"
G	Raised seat length	18"
H	Raised seat width	19 3/8"
I	Deck width (narrowest point)	3 1/8"
J	Deck width (widest point)	3 7/8"
K	Deck width at drain end	2"
L	Deck with backrest end	1 7/8"
M	Total height to headrest	22"
N	Height from bottom of bath to top deck	21"
O	Height from bottom of bath to bottom of deck	19 1/2"
P	Height from bottom of drain to center of overflow	17 1/8"
Q	Maximum water level (Drain & overflow 16" x 35")	15 5/16"
	Maximum water level (Integrated drain & overflow)	16 5/16"
R	Slope of backrest	16°

A AromaCloud® position **B** Control position when factory-installed (Mia® or DOT)
T Turbine position (TMU) **●** Indicates heated backrest (TMU)
⊕ Indicates WarmTouchShell® position (Soaker)

Hot water supply required	The hot water supply should be 70% or more of the bath's total water capacity.
Turbine	Access to the pump must be at least 18" x 22". Standard connection is 20 A, 120 V, 60 Hz, dedicated line with a Ground-Fault Circuit Interrupter (GFCI). For any additional option, a second line is needed 15 A, 120 V, 60 Hz, dedicated line with a GFCI. Air vent necessary: 2" x 4" minimum.
Others	The Geysair® is located on the same side as the heated backrest. It must not be relocated. It must be connected to the hot water supply and be accessible (provide access).
	Optional Tile Flange (specify right or left).

Approx. shipping weight	138 lb
Turbine power	550 W
Air heater	600 W

Warranty

Controls-LED-Geysair*	5 years
Bath & turbine*	20 years

* Some restrictions apply | www.bainultra.com/warranty

Dimensions are subject to change; measured at external edges. Bathing well measured at air jet level. Tolerance: ±0.25" (±0.64 cm). Ensure bathtub is received prior to any construction. BainUltra® is not responsible for any preparatory work done before product arrival.