

meridian uno

60" x 31" x 20"



Product No.

Model Alcove, Right	TMU BMUCRAORT-XX	Soaker BMUCRAORN-XX
Model Alcove, Left	TMU BMUCRAOLT-XX	Soaker BMUCRAOLN-XX

ThermoMasseur (TMU)

Air Jet System	\$4,480
Jets	36
1 heated backrest	Included
Mia® Control	Included
BU-Touch Control Application <i>BUTOUCH</i>	\$520
Geysair®	Included
AromaCloud®** <i>BAROMAC</i>	\$620
Illuzio Chromatherapy <i>BCHRO6</i>	\$1,045

Soaker

AromaCloud®** <i>BAROMAC</i>	\$620
Illuzio Chromatherapy <i>BCHRO6</i>	\$1,045
WarmTouchShell® <i>BWTS</i>	\$1,180
DOT Control	Included with therapy

Features

Installation Type	Alcove (3 walls)
No. of bathers	29 Imp. gallons 35 US gallons
Integrated tile flange and non removable skirt (specify right or left)	Included
Standard Bath Color	Included
<input type="radio"/> White 01 <input type="radio"/> Biscuit 02	

Options UPCHARGE APPLICABLE

Control (TMU only)		
MiaPlus®# <i>BMIAPT-XX</i>		\$300
Bath Pillow <i>BPILOW</i>		\$250
Comfort Cushion <i>BCUSHIONA</i>		\$565
<input type="radio"/> Grey 05 <input type="radio"/> Black 02		

Drain & Overflow		Integrated ZenFlow™ <i>BOVERINZF-XX</i>	16" x 35" <i>BOVER16-XX</i>
	<input type="radio"/> Chrome 07		\$215
<input type="radio"/> White 01 <input type="radio"/> Biscuit 02		\$175	\$305
<input type="radio"/> Brushed Nickel 09		\$215	\$305
<input type="radio"/> Polished Nickel 10		\$215	\$305
<input type="radio"/> Oil-rubbed Bronze 11		N/A	\$420
<input type="radio"/> Matte Black 19 <input type="radio"/> Satin Brass 18		\$275	N/A

If Required by Construction Code		
16" x 35" Cable driven brass drain & overflow kit <i>BOVERBR</i>		\$240
Brass drain & overflow kit† <i>BDRCOB</i>		\$250
Brass drain kit‡ <i>BDRCB</i>		\$65

† ZenFlow: Integrated overflow without a trim.
 ‡ When ordered with Integrated drain & overflow.
 ** The AromaCloud® is built into the deck (factory installed).
 # The MiaPlus® Control is included when purchasing Chromatherapy on a TMU.

meridian uno

60" x 31" x 20"

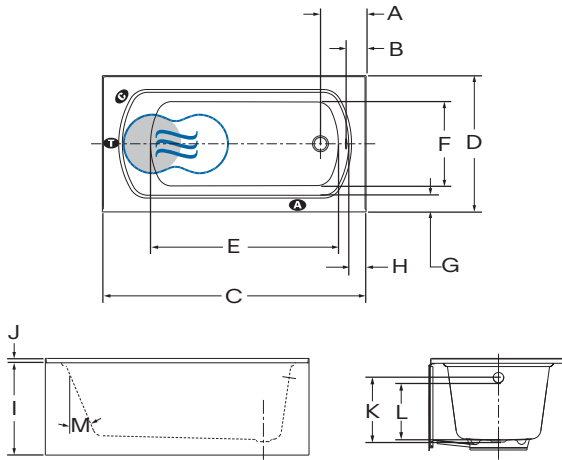


Integrated tile flange



Technical Specifications

A When tile flange is added, the AromaCloud® will automatically be installed on the opposite side of the flange.



Letter	Description	Measure
A	Outside edge to center drain	10 3/8"
B	Outside edge to overflow	5 7/8"
C	Total length	60"
D	Total width	31"
E	Bathing well length	42 3/4"
F	Bathing well width	19 5/16"
G	Deck width	3 1/4"
H	Deck width at drain end	4"
I	Height from bottom of bath to top deck	20"
J	Tile flange height	1"
K	Height from bottom of drain to center of overflow	14 5/8"
L	Maximum water level (Drain & overflow 16" x 35")	13"
M	Slope of backrest	23°

A AromaCloud® position **B** Control position when factory-installed (Mia® or DOT)
C Turbine position (TMU) **D** Indicates heated backrest (TMU)
E Indicates WarmTouchShell® position (Soaker)

Hot water supply required	The hot water supply should be 70% or more of the bath's total water capacity.
Turbine	Access to the pump must be at least 18" x 22". Standard connection is 20 A, 120 V, 60 Hz, dedicated line with a Ground-Fault Circuit Interrupter (GFCI). For any additional option, a second line is needed 15 A, 120 V, 60 Hz, dedicated line with a GFCI. Air vent necessary: 2" x 4" minimum.
Others	The Geysair® is located on the same side as the heated backrest. It must not be relocated. It must be connected to the hot water supply and be accessible (provide access). Integrated tile flange is included (specify right or left). Integrated skirt can not be removed.

Our products must be installed by certified professionals only and according to our Owner's Manual as well as federal, provincial/state and local building codes and regulations (www.bainultra.com/dealers/dealer-documentation-and-catalog).

Approx. shipping weight	136 lb
Turbine power	550 W
Air heater	600 W

Warranty

Controls-LED-Geysair*	5 years
Bath & turbine*	20 years

* Some restrictions apply | www.bainultra.com/warranty

Dimensions are subject to change; measured at external edges. Bathing well measured at air jet level. Tolerance: ±0.25" (±0.64 cm). Ensure bathtub is received prior to any construction. BainUltra® is not responsible for any preparatory work done before product arrival.