



PRODUCT SHEET  
**ESSENCIA OVAL 7236**  
 72" X 36" X 27"



**FREESTANDING**

<b>THERMOMASSEUR® BATH</b>	\$
<b>TUB</b> no therapy	\$

<b>THERMOMASSEUR (TMU)</b>	
Jets	46
1 heated backrest	included
1 heated headrest	included
MiaMulti® Control*	included
Geysair®	included
AromaCloud®	\$
Illuzio Chromatherapy <b>NEW</b>	\$

<b>TUB (soaker)</b>	
AromaCloud®	\$
Illuzio Chromatherapy <b>NEW</b>	\$
WarmTouchShell®	\$
DOT control	included with therapy

<b>FEATURES</b>			
Installation type	Freestanding		
No. of bathers	↓	Armrests	2
US gallons	61	Grab bars (color match)	2
Imp. gallons	51	Footrest	included
Raised seat	1	Waste & overflow (16x35)	inst. & incl.
Inverted V	1		

**FEATURES**

**COLOR**

<b>Standard</b>
<input type="checkbox"/>
White

**OPTIONAL UPCHARGE APPLICABLE**

**CLEAR ACRYLIC GRAB BARS**

With Chrome, Brass or Brushed nickel inserts	\$
--	----

**ISLAND TUB DRAIN™\*\***

Island Tub Drain™ <small>FOR ESSENCIA 7236, THE ISLAND TUB DRAIN IS COMPATIBLE ONLY WITH THE CABLE DRIVEN BRASS WASTE &amp; OVERFLOW KIT (BOVERBR).</small>	\$
--	----

- DON'T FORGET THAT THIS MODEL IS AVAILABLE IN WHITE ONLY. DON'T FORGET TO SPECIFY THE FINISH OF THE WASTE & OVERFLOW.**
- \* FOR TMU, CONTROL AND FAUCET CANNOT BE INSTALLED ON THE DECK OF THE BATH. FOR TUB AND OPTIONS, FAUCET CANNOT BE INSTALLED ON THE DECK, AND DOT CONTROL WILL BE INSTALLED ON THE AROMACLOUD INSERT.
  - \*\* AN ISLAND TUB DRAIN IS REQUIRED WHEN THERE IS **NO ACCESS UNDER THE BATH.**

1 800 463.2187   
 info@bainultra.com

From 8 a.m. to 8 p.m. Monday to Thursday (EST)  
 From 8 a.m. to 5 p.m. on Friday (EST)

# ESSENCIA OVAL 7236 72" X 36" X 27"

## ACCESSORIES (OPTIONAL)

CUTTING TEMPLATE

# 90000056

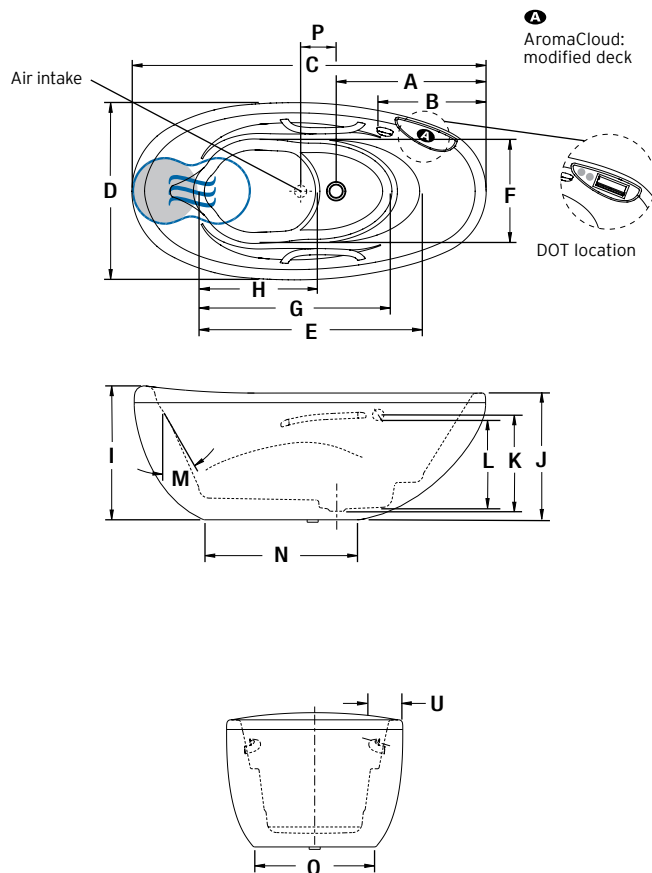
### OTHERS

- Faucet must be freestanding or wall-mounted.
- The turbine must be remotely installed.
- TMU: Control must be wall-mounted.
- TMSU: Dot controls are located on the side of the AromaCloud.

TOTAL PRICE

\$

## FREESTANDING INSTALLATION



LETTER	DESCRIPTION	MEASURE
A	Outside edge to center waste	30 1/2"
B	Outside edge to overflow	20 1/2"
C	Total length	72"
D	Total width	36"
E	Bathing well length	45 1/4"
F	Bathing well width	21"
G	Bottom bathing well length	38"
H	Raised seat length	22 5/8"
I	Total height to headrest	27 3/8"
J	Height from bottom of tub to top deck	26"
K	Height from waste to center of overflow	18 3/8"
L	Maximum water level	16 5/8"
M	Slope of backrest	30°
N	Base length	32 3/8"
O	Base width	19"
P	Distance from center air intake to center waste	5"
U	Minimum spout reach	6 3/8"

**A** AromaCloud position

● Heated backrest (TMU)

☰ WarmTouchShell position

## TECHNICAL SPECIFICATIONS

<b>Hot water supply required</b>	Should be 70% of water capacity of tub or greater.
<b>Turbine</b>	Access to the pump must be at least 18" X 22". <b>Standard connection is 20 A, 120 V, 60 hz</b> , dedicated line with a Ground-Fault Circuit Interrupter (GFCI). <b>For any additional option, a second line is needed 15 A, 120 V, 60 hz</b> , dedicated line with a GFCI. Air vent necessary: 2" X 4" minimum

Our products must be installed by certified professionals only and according to our Owner's Manual as well as federal, provincial/state and local building codes and regulations ([www.bainultra.com/documentation/documentation](http://www.bainultra.com/documentation/documentation)).

<b>Approx. shipping weight</b>	305 lbs
<b>Turbine power</b>	550 W
<b>Air heater</b>	600 W

## WARRANTY

Controls-LED-Geysair*	5 years
Bath & turbine*	20 years

\*Some restrictions apply | [www.bainultra.com/warranty](http://www.bainultra.com/warranty)



The specifications shown indicate the outer edge dimension and the inside bathing capacity dimension measured at air jets' height. The manufacturer accepts a 1/4" [0,64 cm] variance. There are variations on each product and specifications are subject to change as we improve upon our product as required. The dimensions needed for site preparation and structure building will differ. BainUltra® assumes no responsibility for preparatory work done prior to the product being on site.