

PRODUCT SHEET  
**ORIGAMI 7236** ORIGINAL SERIES  
 72" X 36" X 22"



<b>THERMOMASSEUR® BATH</b>	\$
<b>TUB</b>	\$

THERMOMASSEUR (TMU)	
Jets	42
1 heated backrest	included
MiaPlus® Control	included
Geysair®	included
AromaCloud®	\$
Illuzio Chromatherapy <b>NEW</b>	\$
2 <sup>nd</sup> heated backrest (advanced technology)	\$

TUB (soaker)	
AromaCloud®	\$
Illuzio Chromatherapy <b>NEW</b>	\$
WarmTouchShell®	\$
DOT control	included with therapy
2 <sup>nd</sup> WarmTouchShell®	\$

FEATURES			
Installation types	Drop-in: 1/2", 2" & 4" Undermount & Alcove (3 walls): 2"		
No. of bathers		Imp. gallons	54
US gallons	64		

OPTIONAL UPCHARGE APPLICABLE		
<b>COLOR</b>		
<b>Standard</b>		
White	Biscuit	
<b>Optional</b>		
		\$
Gray		
<b>FINISH</b>		
UltraVelour Matte Finish (White Only)		\$
<b>CONTROL (TMU ONLY)</b>		
MiaMulti®		\$
<b>SKIRT (2" LIP ONLY)</b>		
	<b>MULTIFIT</b>	<b>SJ-1</b>
Skirt	\$	\$
Optional color	\$	\$
<b>WASTE &amp; OVERFLOW</b>		
	<b>16" x 35"</b>	<b>INTEGRATED WASTE &amp; OVERFLOW</b>
White, Biscuit	\$	\$
Chrome	\$	\$
Brass	\$	\$
Brushed & Polished nickel	\$	\$
Oil-rubbed bronze	\$	N/A
<b>TILE FLANGE WITH 2" LIP ONLY</b> (specify front or back)		
Ordered with bath, uninstalled		\$
Factory-installed		\$

DON'T FORGET TO INDICATE THE DECK HEIGHT (2" OR 4").

1 800 463.2187   
 info@bainultra.com

From 8 a.m. to 8 p.m. Monday to Thursday (EST)  
 From 8 a.m. to 5 p.m. on Friday (EST)

**BainUltra®**  
 The quest for your wellness®  
 www.bainultra.com

# ORIGAMI 7236 ORIGINAL SERIES 72" X 36" X 22"

## ACCESSORIES (OPTIONAL)

CUTTING TEMPLATE

# 90000047

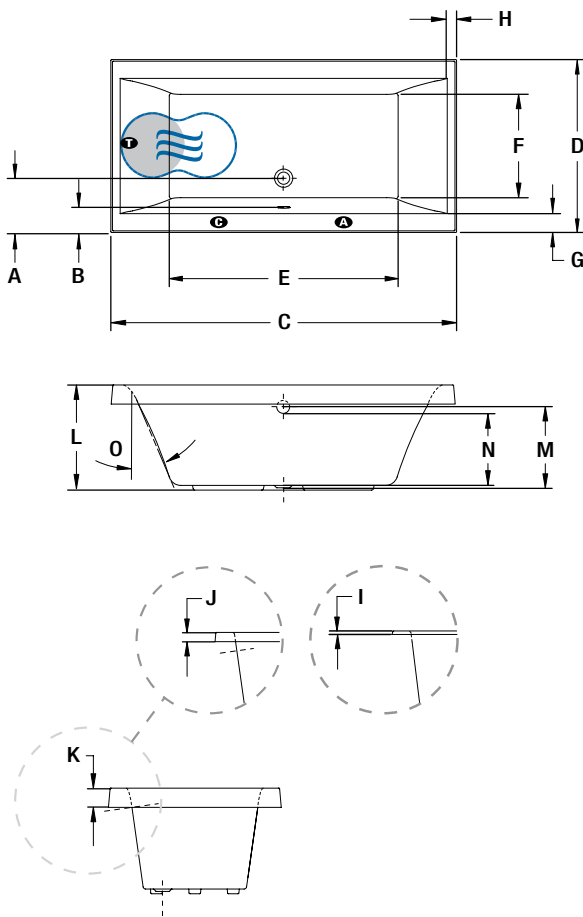
OTHER

Optional tile flange with 2" lip height only (specify front or back).

TOTAL PRICE

\$

## ALCOVE/DROP-IN/UNDERMOUNT INSTALLATION



LETTER	DESCRIPTION	MEASURE
A	Outside edge to center drain	11 1/4"
B	Outside edge to overflow	4 5/8"
C	Total length (with slim deck height) Total length (with 2" deck height) Total length (with 4" deck height)	71 1/4" 71 5/8" 72"
D	Total width (with slim deck height) Total width (with 2" deck height) Total width (with 4" deck height)	35 1/4" 35 5/8" 36"
E	Bathing well length	48 1/8"
F	Bathing well width	22"
G	Deck width	4 3/8"
H	Deck width at backrest end	1 3/4"
I	Height from bottom of lip to top deck	1/2"
J	Height from bottom of lip to top deck	2"
K	Height from bottom of lip to top deck	4"
L	Height from bottom of tub to top deck	22"
M	Height from drain to center of overflow	17 5/8"
N	Maximum water level	16"
O	Slope of backrest	24°

- A** AromaCloud position
- B** Control position when factory-installed (Mia or Dot)
- C** Turbine position (TMU)
- Heated backrest (TMU)
- WarmTouchShell position

When tiling flange is added, the AromaCloud will automatically be installed on the opposite side of the flange.

## TECHNICAL SPECIFICATIONS

**Hot water supply required** Should be 70% of water capacity of tub or greater.

**Turbine** Access to the pump must be at least 18" X 22". **Standard connection is 20 A, 120 V, 60 hz**, dedicated line with a Ground-Fault Circuit Interrupter (GFCI). **For any additional option, a second line is needed 15 A, 120 V, 60 hz**, dedicated line with a GFCI. Air vent necessary: 2" X 4" minimum

Our products must be installed by certified professionals only and according to our Owner's Manual as well as federal, provincial/state and local building codes and regulations ([www.bainultra.com/documentation/documentation](http://www.bainultra.com/documentation/documentation)).

**Approx. shipping weight** 137 lbs

**Turbine power** 550 W

**Air heater** 600 W

## WARRANTY

Controls-LED-Geysair\* 5 years

Bath & turbine\* 20 years

\*Some restrictions apply | [www.bainultra.com/warranty](http://www.bainultra.com/warranty)



The specifications shown indicate the outer edge dimension and the inside bathing capacity dimension measured at air jets' height. The manufacturer accepts a 1/4" [0,64 cm] variance. There are variations on each product and specifications are subject to change as we improve upon our product as required. The dimensions needed for site preparation and structure building will differ. BainUltra® assumes no responsibility for preparatory work done prior to the product being on site.