



PRODUCT SHEET  
**THERMAL CR2K**  
 60" X 60" X 21"




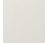

<b>THERMOMASSEUR® BATH</b>	\$
<b>TUB</b>	\$

<b>THERMOMASSEUR (TMU)</b>	
Jets	42
1 heated backrest & headrest	included
MiaPlus® Control	included
Geysair®	included
AromaCloud®	N/A
Illuzio Chromatherapy <b>NEW</b>	\$
2 <sup>nd</sup> heated backrest (advanced technology)	\$


<b>TUB (soaker)</b>	
Illuzio Chromatherapy <b>NEW</b>	\$
WarmTouchShell®	\$
DOT control	included with therapy
2 <sup>nd</sup> WarmTouchShell®	\$

<b>FEATURES</b>			
Installation types		Drop-in & Corner	
No. of bathers	2	Armrests	4
US gallons	61	Grab bars	2
Imp. gallons	51		

**OPTIONAL UPCHARGE APPLICABLE**

<b>COLOR</b>	
<b>Standard</b>	
 White	 Biscuit
<b>Optional</b>	
 Gray	\$
<b>CONTROL (TMU ONLY)</b>	
MiaMulti®	\$
<b>SKIRT</b>	
Skirt	\$
Optional color	\$
<b>CLEAR ACRYLIC GRAB BARS</b>	
With Chrome, Brass or Brushed nickel inserts	\$
<b>WASTE &amp; OVERFLOW</b>	
	<b>16" X 35"</b>
Chrome	\$
White & Biscuit	\$
Brass	\$
Brushed nickel, Polished nickel & Oil-rubbed bronze	\$
<b>TILE FLANGE</b>	
Ordered with bath, uninstalled	\$
Factory-installed	\$

 DON'T FORGET THAT ORDERING A TILE FLANGE FOR THIS BATH IS POSSIBLE.

1 800 463.2187  [info@bainultra.com](mailto:info@bainultra.com) | From 8 a.m. to 8 p.m. Monday to Thursday (EST)  
 From 8 a.m. to 5 p.m. on Friday (EST)

# THERMAL CR2K 60" X 60" X 21"

## ACCESSORIES (OPTIONAL)

CUTTING TEMPLATE

# 90000021

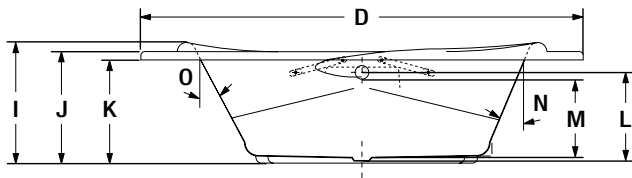
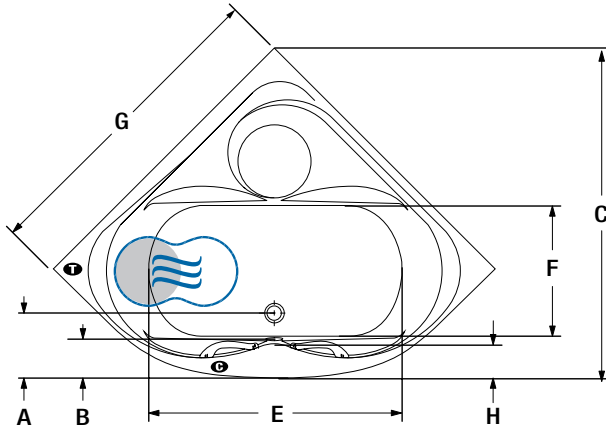
OTHER

Optional tile flange.

TOTAL PRICE

\$

## DROP-IN/CORNER INSTALLATION



LETTER	DESCRIPTION	MEASURE
A	Outside edge to center drain	12 3/4"
B	Outside edge to overflow	7 3/8"
C	Total length	63 1/4"
D	Total width	84 1/8"
E	Bathing well length	46 1/2"
F	Bathing well width	25"
G	Sidewall length	59 3/4"
H	Deck width (widest point)	7 1/4"
I	Total height to raised headrest	23"
J	Height from bottom of tub to top deck	21 1/4"
K	Height from bottom of tub to bottom of lip	19 3/4"
L	Height from drain to center of overflow	16 7/8"
M	Maximum water level	15"
N	Slope of backrest	21°
O	Slope of backrest	28°

**A** AromaCloud position

● Heated backrest (TMU)

**C** Control position when factory-installed (Mia or Dot)

☞ WarmTouchShell position

**T** Turbine position (TMU)

## TECHNICAL SPECIFICATIONS

### Hot water supply required

Should be 70% of water capacity of tub or greater.

### Turbine

Access to the pump must be at least 18" X 22". **Standard connection is 20 A, 120 V, 60 hz**, dedicated line with a Ground-Fault Circuit Interrupter (GFCI). **For any additional option, a second line is needed 15 A, 120 V, 60 hz**, dedicated line with a GFCI. Air vent necessary: 2" X 4" minimum

Our products must be installed by certified professionals only and according to our Owner's Manual as well as federal, provincial/state and local building codes and regulations ([www.bainultra.com/documentation/documentation](http://www.bainultra.com/documentation/documentation)).

**Approx. shipping weight**

192 lbs

**Turbine power**

550 W

**Air heater**

600 W

## WARRANTY

Controls-LED-Geysair\*

5 years

Bath & turbine\*

20 years

\*Some restrictions apply | [www.bainultra.com/warranty](http://www.bainultra.com/warranty)



The specifications shown indicate the outer edge dimension and the inside bathing capacity dimension measured at air jets' height. The manufacturer accepts a 1/4" [0,64 cm] variance. There are variations on each product and specifications are subject to change as we improve upon our product as required. The dimensions needed for site preparation and structure building will differ. BainUltra® assumes no responsibility for preparatory work done prior to the product being on site.