



PRODUCT SHEET  
**THERMAL OVAL 55**  
 66" X 34" X 20"



<b>THERMOMASSEUR® BATH</b>	\$
<b>TUB</b>	\$

THERMOMASSEUR (TMU)	
Jets	40
1 heated backrest & headrest	included
MiaPlus® Control*	included
Geysair®	included
AromaCloud®	\$
Illuzio Chromatherapy <b>NEW</b>	\$
2 <sup>nd</sup> heated backrest (advanced technology)	\$

TUB (soaker)	
AromaCloud®	\$
Illuzio Chromatherapy <b>NEW</b>	\$
WarmTouchShell®	\$
DOT control	included with therapy
2 <sup>nd</sup> WarmTouchShell®	\$

FEATURES			
Installation type			Drop-in
No. of bathers	2	Armrests	4
US gallons	44	Grab bar	1
Imp. gallons	37		

OPTIONAL UPCHARGE APPLICABLE	
<b>COLOR</b>	
<b>Standard</b>	
<input type="checkbox"/> White	<input type="checkbox"/> Biscuit
<b>Optional</b>	
<input type="checkbox"/> Gray	\$
<b>CONTROL (TMU ONLY)</b>	
MiaMulti®	\$
<b>CLEAR ACRYLIC GRAB BARS</b>	
With Chrome, Brass or Brushed nickel inserts	\$
<b>WASTE &amp; OVERFLOW</b> 16" X 35"	
Chrome	\$
White & Biscuit	\$
Brass	\$
Brushed nickel, Polished nickel & Oil-rubbed bronze	\$

1 800 463.2187 info@bainultra.com | From 8 a.m. to 8 p.m. Monday to Thursday (EST)  
 From 8 a.m. to 5 p.m. on Friday (EST)

# THERMAL OVAL 55 66" X 34" X 20"

## ACCESSORIES (OPTIONAL)

CUTTING TEMPLATE

# 90000022

OTHER

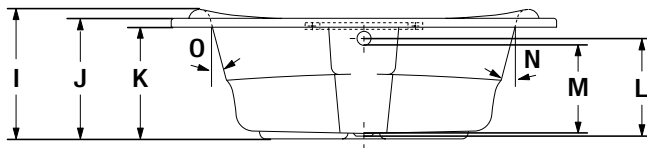
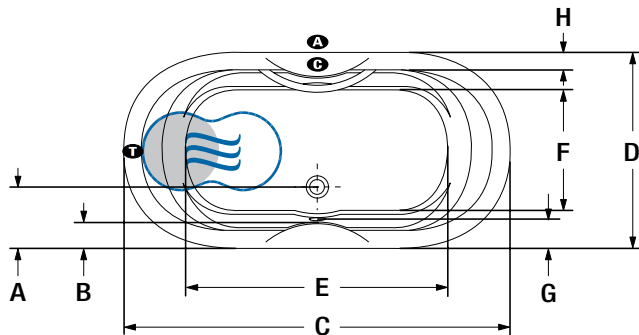
Very small bath for two.

TOTAL PRICE

\$

## DROP-IN INSTALLATION

- A** For TMU, the AromaCloud will replace the control position.  
For TUB with options, the AromaCloud and the DOT will be installed on the deck.



LETTER	DESCRIPTION	MEASURE
A	Outside edge to center drain	10 1/4"
B	Outside edge to overflow	4 1/2"
C	Total length	66 1/4"
D	Total width	33 1/2"
E	Bathing well length	43"
F	Bathing well width	19"
G	Deck width (widest point)	4 3/8"
H	Deck width (narrowest point)	2 3/8"
I	Total height to headrest	21 1/2"
J	Height from bottom of tub to top deck	20"
K	Height from bottom of tub to bottom of lip	18 1/2"
L	Height from drain to center of overflow	15 5/8"
M	Maximum water level	14"
N	Slope of backrest	13°
O	Slope of backrest	25°

**A** AromaCloud position

**C** Control position when factory-installed (Mia or Dot)

**I** Turbine position (TMU)

● Heated backrest (TMU)

☞ WarmTouchShell position

## TECHNICAL SPECIFICATIONS

**Hot water supply required** Should be 70% of water capacity of tub or greater.

**Turbine** Access to the pump must be at least 18" X 22". **Standard connection is 20 A, 120 V, 60 hz**, dedicated line with a Ground-Fault Circuit Interrupter (GFCI). **For any additional option, a second line is needed 15 A, 120 V, 60 hz**, dedicated line with a GFCI. Air vent necessary: 2" X 4" minimum

Our products must be installed by certified professionals only and according to our Owner's Manual as well as federal, provincial/state and local building codes and regulations ([www.bainultra.com/documentation/documentation](http://www.bainultra.com/documentation/documentation)).

**Approx. shipping weight** 126 lbs

**Turbine power** 550 W

**Air heater** 600 W

## WARRANTY

Controls-LED-Geysair\* 5 years

Bath & turbine\* 20 years

\*Some restrictions apply | [www.bainultra.com/warranty](http://www.bainultra.com/warranty)



The specifications shown indicate the outer edge dimension and the inside bathing capacity dimension measured at air jets' height. The manufacturer accepts a 1/4" [0,64 cm] variance. There are variations on each product and specifications are subject to change as we improve upon our product as required. The dimensions needed for site preparation and structure building will differ. BainUltra® assumes no responsibility for preparatory work done prior to the product being on site.