

# PRODUCT SHEET

# VIBE 6030

60" X 30" X 19"



<b>THERMOMASSEUR®</b>	\$
<b>TUB</b>	\$

THERMOMASSEUR (TMU)	
Jets	40
1 heated backrest	included
MiaPlus® Control*	included
Geysair®	included
Illuzio Chromatherapy <b>NEW</b>	\$

TUB	
Illuzio Chromatherapy <b>NEW</b>	\$
WarmTouchShell®	\$
DOT control	included with therapy

FEATURES			
Installation type		Drop-in / Alcove (3 walls)	
No. of bathers	1	Integrated tile flange	included
US gallons	44	Integrated waste & overflow	inst. & incl.
Imp. gallons	36		

INTEGRATED WASTE & OVERFLOW	
Chrome, White	
Brass, Brushed Nickel, Polished Nickel	
<b>If required by construction code</b>	
Brass waste and overflow kit	\$
Brass waste kit	\$

OPTIONAL UPCHARGE APPLICABLE	
COLOR	
<b>Standard</b>	
<input type="checkbox"/> White	<input type="checkbox"/> Biscuit
<b>Optional</b>	
<input type="checkbox"/> Gray	\$
FINISH	
UltraVelour Matte Finish (White Only)	\$
SKIRT (STANDARD DECK ONLY) 1 1/2"	
<b>MULTIFIT</b>	
Skirt	\$
Optional color	\$
CONTROL (TMU ONLY)	
MiaMulti®	\$



Turbine must be remotely installed in certain conditions. With the control on the deck, a complete shower door cannot be installed. **Don't forget to specify the finish of the integrated waste & overflow.**

# VIBE 6030

60" X 30" X 19"

## ACCESSORIES (OPTIONAL)

### CUTTING TEMPLATE

# 90000078

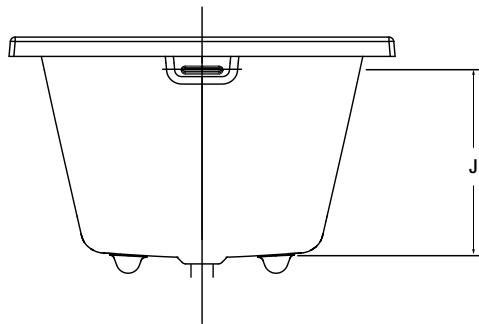
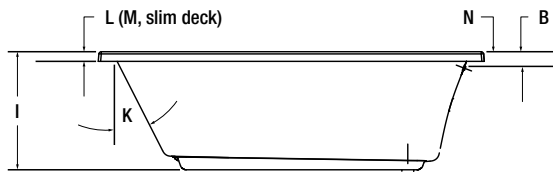
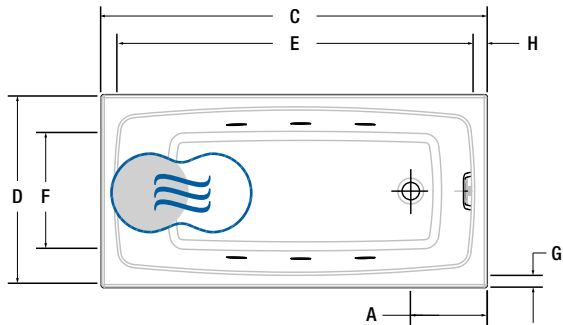
### OTHERS

- The turbine must be remotely installed.

**TOTAL PRICE**

**\$**

## ALCOVE / DROP-IN INSTALLATION



LETTER	DESCRIPTION	MEASURE
A	Outside edge to center drain	10 7/8"
B	Outside edge to centre of waste hole	21 1/2"
C	Total length	60"
D	Total width	30"
E	Bathing well length	44"
F	Bathing well width	19 1/8"
G	Deck width	1 7/8"
H	Deck width at waste end	2"
I	Height from bottom of tub to top deck	18 1/2"
J	Height from drain to center of overflow	14 1/2"
K	Slope of backrest	27°
L	Height from bottom of lip to top std deck	1 1/2"
M	Height from bottom of lip to top slim deck	1/2"
N	Tile flange height	1"

- Indicates heated backrest (TMU)
- ☉ Indicates WarmTouchShell position

## TECHNICAL SPECIFICATIONS

### Hot water supply required

Should be 70% of water capacity of tub or greater.

### Turbine

Access to the pump must be at least 18" X 22". **Standard connection is 20 A, 120 V, 60 hz, dedicated line with a Ground-Fault Circuit Interrupter (GFCI). For any additional option, a second line is needed 15 A, 120 V, 60 hz, dedicated line with a GFCI.**  
Air vent necessary: 2" X 4" minimum.

Our products must be installed by certified professionals only and according to our Owner's Manual as well as federal, provincial/state and local building codes and regulations ([www.bainultra.com/documentation/documentation](http://www.bainultra.com/documentation/documentation)).

### Approx. shipping weight

200 lbs

### Turbine power

550 W

### Air heater

600 W

### WARRANTY

#### Controls-LED-Geysair\*

5 years

#### Bath & turbine\*

20 years

\* Some restrictions apply | [www.bainultra.com/warranty](http://www.bainultra.com/warranty)

The specifications shown indicate the outer edge dimension and the inside bathing capacity dimension measured at air jets' height. The manufacturer accepts a 1/4" [0.64 cm] variance. There are variations on each product and specifications are subject to change as we improve upon our product as required. The dimensions needed for site preparation and structure building will differ. BainUltra® assumes no responsibility for preparatory work done prior to the product being on site.

