



# NOKORI®

## INSTALLATION INSTRUCTIONS

---

**IMPORTANT INFORMATION** FOR THE INSTALLER AND THE OWNER

**TABLE OF CONTENT**

IMPORTANT SAFETY INSTRUCTIONS ..... 1

PARTS & TOOLS ..... 3

SITE PREPARATION ..... 5

INSTALLATION

- **REMOTE MOUNTING OF TURBINE**
  - ... **WITH ACCESS UNDER BATH** ..... 6
  - ... PIPING & WIRING **UNDER FLOOR & NO ACCESS UNDER BATH**..... 19
  - ... PIPING & WIRING **ABOVE FLOOR & NO ACCESS UNDER BATH**..... 27
- **TURBINE FACTORY INSTALLED**
  - ... **WITH ACCESS UNDER BATH** ..... 32
  - ... WIRING **UNDER FLOOR & NO ACCESS UNDER BATH** ..... 40
  - ... WIRING **ABOVE FLOOR & NO ACCESS UNDER BATH**..... 44
- **BATH INSTALLED AGAINST 1, 2 OR 3 WALLS**..... 47

CUTTING TEMPLATES: CONTROL & AIR VENT ..... 48

## IMPORTANT SAFETY INSTRUCTIONS PERTAINING TO RISKS OF FIRE, ELECTROCUTION OR PERSONAL INJURY

### READ AND FOLLOW ALL INSTRUCTIONS ▪ SAVE THESE INSTRUCTIONS

THIS DOCUMENT SUPERCEDES THE INSTALLATION INSTRUCTION IN THE OWNER'S MANUAL.



#### WARNINGS

- Risk of hyperthermia; people using medication and/or having an adverse medical history should consult a physician before using a Hydro-thermo massage® bathtub equipped with a heater.
- Risk of hyperthermia and possible drowning: do not use a Hydro-thermo massage® bathtub equipped with heater immediately following strenuous exercise.
- Risk of fetal injury; pregnant or possibly pregnant women should consult a physician before using a Hydro-thermo massage® bathtub equipped with a heater.
- Risk of accidental injury or drowning; do not use drugs or alcohol before or during the use of a Hydro-thermo massage® bathtub equipped with a heater.
- Use this unit only for its intended purposes or as described in this manual. Use only accessories or devices recommended by the manufacturer.
- Risk of hyperthermia and possible drowning. Check and adjust water temperature before use. Water temperature exceeding 100°F (38°C) may be injurious to your health.
- To reduce the risk of injury, as with any other conventional bath, do not allow children or physically impaired people to use this unit unless they are closely supervised at all times.
- To avoid injury, exercise care when entering or exiting the Thermomasseur®.
- The Geysair should always be connected to the hot water intake. If it is not the case, then, the Geysair should be deactivated via the bath control.


#### RISK OF ELECTRICAL SHOCK

- Disconnect electric power before servicing.
- Do not permit electrical appliances (hair dryer, lamp, telephone, radio, television, etc.) within 5' (1,5 m) of the Thermomasseur®.
- Before using the Thermomasseur®, its exterior construction (podium or skirting) should be finished so that a bather cannot accidentally come in contact with electrical components (turbine and power module).
- For indoor use only.

**IMPORTANT SAFETY INSTRUCTIONS** (cont'd)  
**PERTAINING TO RISKS OF FIRE, ELECTROCUTION OR PERSONAL INJURY****READ AND FOLLOW ALL INSTRUCTIONS ▪ SAVE THESE INSTRUCTIONS**

THIS DOCUMENT SUPERCEDES THE INSTALLATION INSTRUCTION IN THE OWNER'S MANUAL.

**ELECTRICAL CONNECTIONS:**

- Never drop or insert objects into any openings.
- The Thermomasseur® must be connected only to a supply circuit that is protected by a 20 amp class A ground fault circuit interrupter (GFCI). Optional therapies such as Chromotherapy and/or 2<sup>nd</sup> heated backrest and/or WarmTouchShell® must be connected to a supply circuit that is protected by a 15 amp class A ground fault circuit interrupter (GFCI). This interrupter is supplied by a certified electrician and must be tested on a regular basis in accordance with manufacturer's instructions. The GFCI ground must be connected. If defective, do not use the Thermomasseur. Disconnect immediately and call a certified electrician.
- Use 12 AWG (or greater) copper conductors that resist temperatures of at least 194°F (90°C).
- Canada only: for permanently connected units. A green-colored terminal (or a wire connector marked g., gr., ground or grounding) is provided within the terminal compartment (not applicable if unit supplied with an electric plug). To reduce the risk of electrocution, connect this terminal or connector to the grounding terminal of your electric service or supply panel with conductor equivalent in size to the circuit conductors supplying the equipment and be 12 AWG or more.
- All electrical connections must be carried out by a certified electrician and must respect federal, provincial/state, and local building codes and regulations.
- Install in accordance with manufacturer's installation instructions.
- For ThermoMasseur baths using remote turbine installation (not mounted on the bath), grounding continuity must be tested between the bath grounding terminal  and the bath power supply. Failure to perform the grounding continuity test could result in serious personal injury.

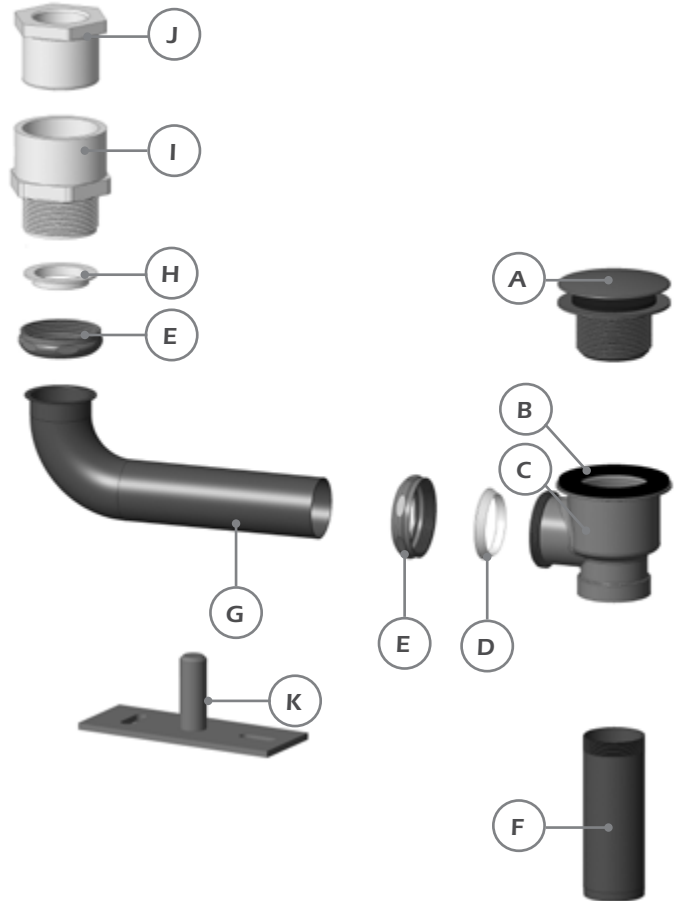
**WATER LEAK TEST**

- Once plumbing is fully installed and before beginning any other work, fill the ThermoMasseur® with water to overflow level and wait 30 minutes. Check all plumbing hook-ups and bath for leaks. BainUltra® is not responsible for any water damage caused by improper installation (see Warranty section).

**PARTS & TOOLS**

**A. STANDARD PARTS - PLUMBING**

	DESCRIPTION	QTY
A	Plated drain clicker	1
B	Rubber seal	1
C	Brass drain shoe	1
D	Nylon conic shaped seal for drain	1
E	Brass nut	2
F	4 in. brass tailpiece	1
G	Brass overflow to drain pipe	1
H	Nylon flat seal with flange	1
I	1-1/2 in. male threaded adaptor	1
J	1-1/2 overflow male-to-male connector	1
K	Floor anchor	2



**B. OPTIONAL PARTS – PLUMBING <sup>(1)</sup>**

**ISLAND TUB DRAIN® (ITD) KIT**

- Makes installation and servicing easier for removal of bath.
- Allows you to connect the bath drain tailpiece to the plumbing pipe without need for tightening to seal once the bath is lowered to the floor.

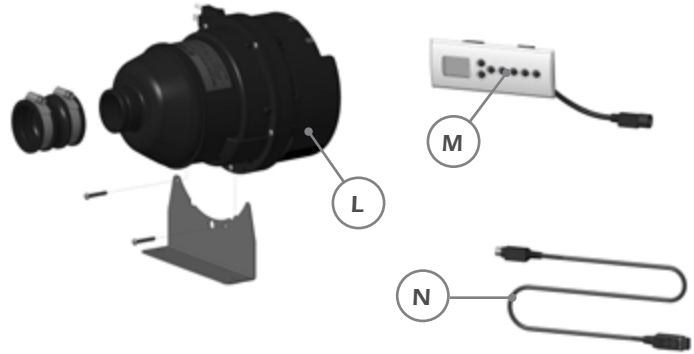
(1): REQUIRED WHEN NO ACCESS IS POSSIBLE UNDER THE BATH. ISLAND TUB DRAIN KIT INCLUDES ONE CONE-SHAPED DECK PLATE AND ONE 6 IN. (15 cm) THREADED TAILPIECE.



**PARTS & TOOLS**

**STANDARD PARTS – THERMOMASSEUR®**

	DESCRIPTION	QTY
<b>L</b>	Turbine	1
<b>M</b>	MiaPlus® Control	1
<b>N</b>	15 ft. wire for control	1



**OPTIONAL PART – THERMOMASSEUR®(2)**

**Air vent**



(2): AIR VENT IS REQUIRED FOR THERMOMASSEUR BATH **WHEN TURBINE IS MOUNTED ON BATH.** See pages 34 to 36 for installation instructions.

**MATERIAL & TOOLS REQUIRED**

- 48 in. level
- Teflon tape
- Silicone
- Slip joint pliers
- Drill
- Jig saw with fine cut blade
- Measuring tape
- ABS & PVC Glue



## SITE PREPARATION

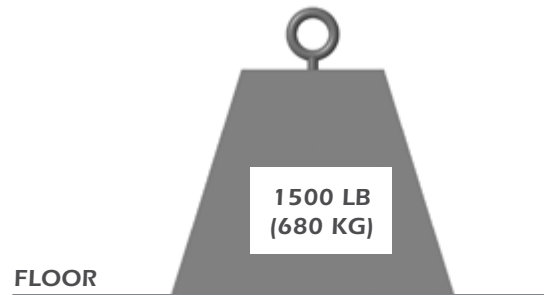
### PLUMBING

- See faucet manufacturer's specifications for zoning and plan water supply location accordingly.
- Position drain according to bath's technical specifications.



### WARNING

- Baths from Nokori® collection cannot be drilled for faucet installation. Faucets must be freestanding or wall-mounted models.



### BEDDING

- Before installing, ensure that the floor underneath the bath can support 1500 lb (680 kg). The bath may sit directly on the floor.

### SERVICE ACCESS AND VENTILATION

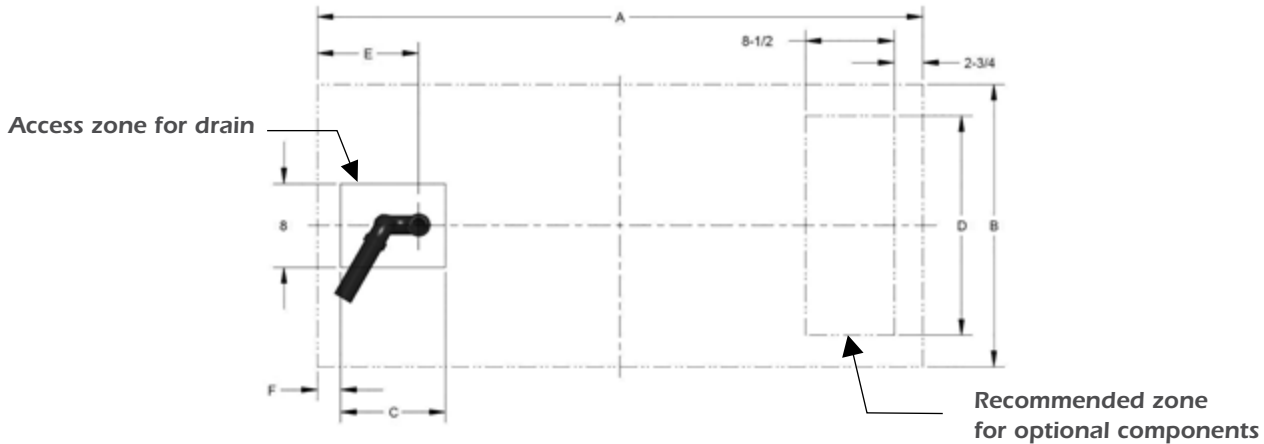
- A service access is necessary. Minimum dimensions are 22 in. x 18 in. (55 cm x 46 cm) to properly reach all electrical components of the system.
- An air vent is necessary. Minimum dimensions are: 2 in. x 4 in. (5 cm x 10 cm) to ensure proper functioning of the turbine.

There is a technical specification sheet for each BainUltra® ThermoMasseur® which includes information such as necessary dimensions of site before installation.

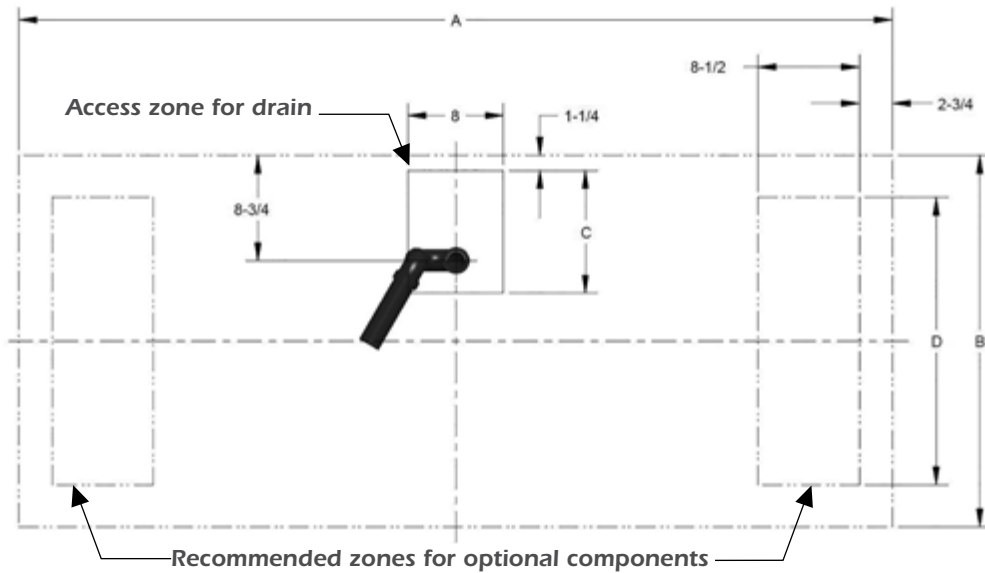
If you do not already have the technical specifications, download from the BainUltra® Web site at: [bainultra.com](http://bainultra.com) or call us at: **1 800 463-2187**.

**REMOTE MOUNTING OF TURBINE WITH ACCESS UNDER BATH**

**PLUMBING - FLOOR LAYOUT FOR PIPES AND ACCESS**



DIMENSIONS (IN.)	A	B	C	D	E	F
NOKORI 5827	58"	27"	10"	21"	9 <sup>5</sup> / <sub>8</sub> "	2 <sup>1</sup> / <sub>4</sub> "
NOKORI 6331	63"	31"	10 <sup>1</sup> / <sub>2</sub> "	23"	10"	1 <sup>1</sup> / <sub>2</sub> "
NOKORI 6429	64"	29"	10"	23"	9 <sup>5</sup> / <sub>8</sub> "	2 <sup>1</sup> / <sub>4</sub> "



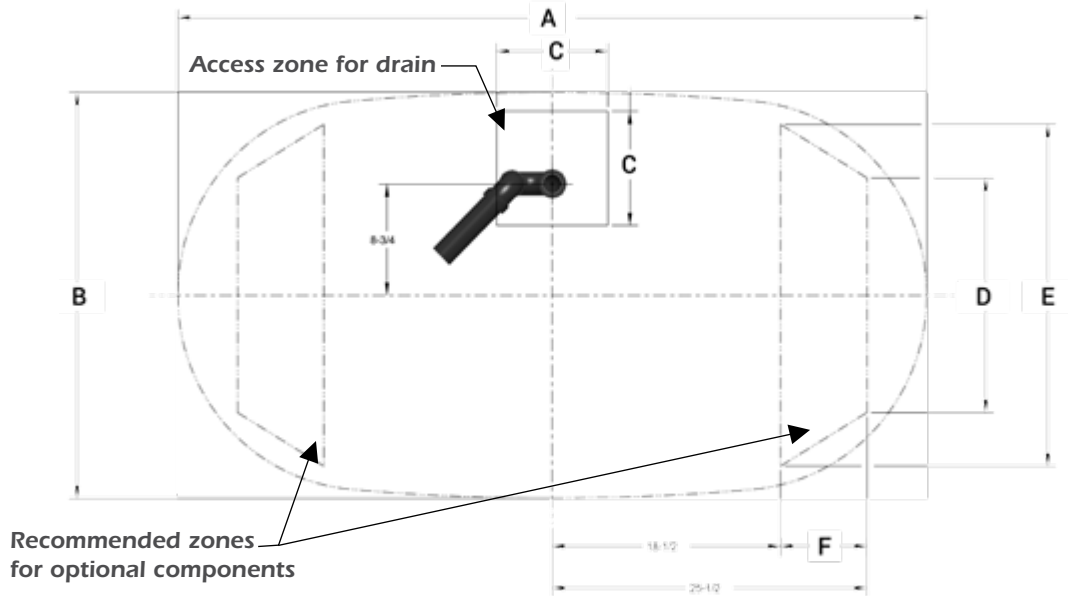
DIMENSIONS (IN.)	A	B	C	D
NOKORI 6935	69"	35"	10 <sup>1</sup> / <sub>4</sub> "	28"
NOKORI 7131	70 <sup>1</sup> / <sub>2</sub> "	31"	12 <sup>1</sup> / <sub>4</sub> "	24"

NOTE: Detailed plan is provided in the **Documentation / Installation User Guides** section of **Nokori bath models** on our Web site [bainultra.com](http://bainultra.com).



**REMOTE MOUNTING OF TURBINE WITH ACCESS UNDER BATH**

**PLUMBING - FLOOR LAYOUT FOR PIPES AND ACCESS**



DIMENSIONS (IN.)	A	B	C	D	E	F
NOKORI OVAL 6737	60 <sup>3/4</sup> ''	32''	9''	18 <sup>1/2</sup> ''	26 <sup>7/8</sup> ''	7''

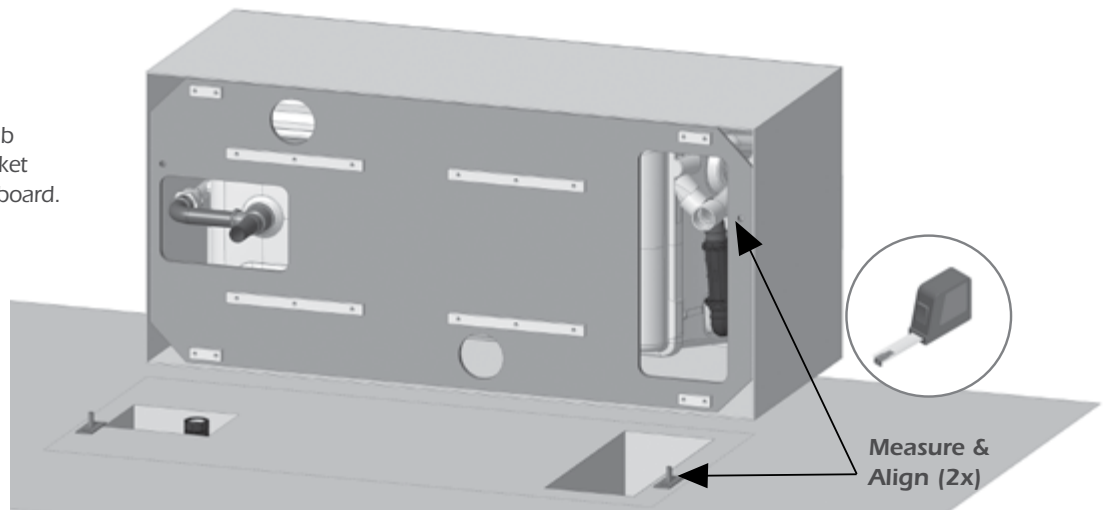
NOTE: Detailed plan is provided in the **Documentation / Installation User Guides** section of **Nokori bath models** on our Web site **bainultra.com**.

**1 PLUMBING**



**HELPFUL TIP:**

- Carefully place the tub on its side, on a blanket or a corrugated cardboard.

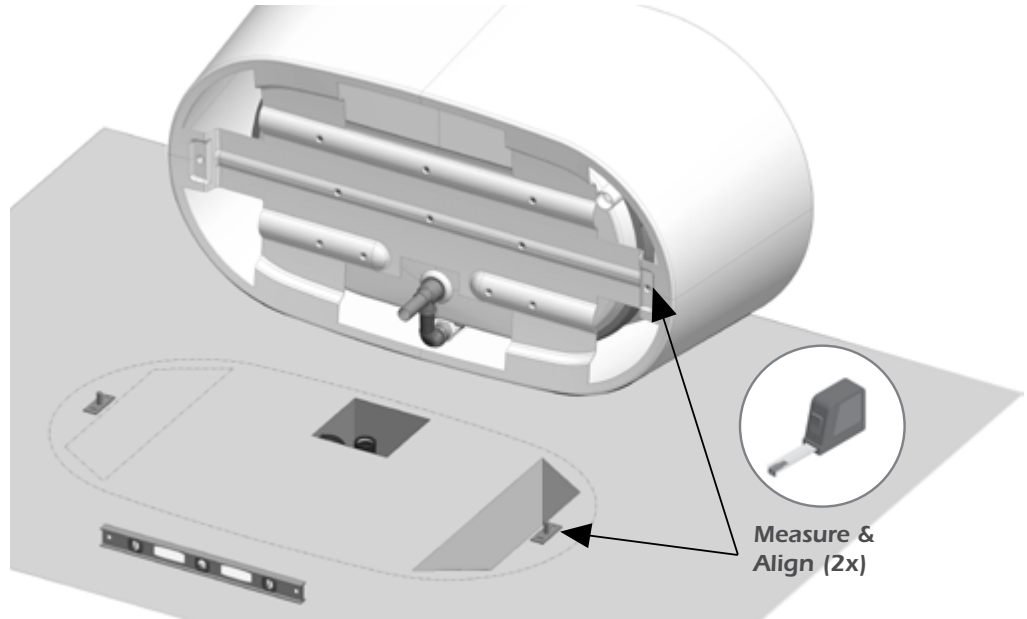


**REMOTE MOUNTING OF TURBINE WITH ACCESS UNDER BATH**

**1 PLUMBING**

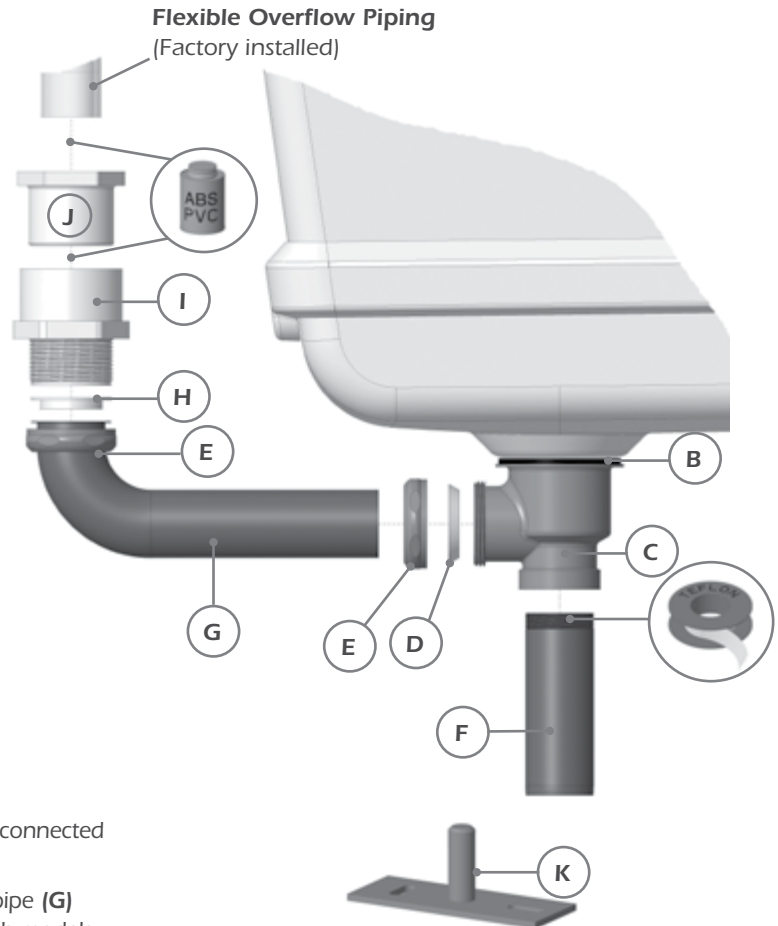
**HELPFUL TIP:**

- Carefully place the tub on its side, on a blanket or a corrugated cardboard.



**A. STANDARD PARTS - PLUMBING**

	DESCRIPTION	QTY
A	Plated drain clicker	1
B	Rubber seal	1
C	Brass drain shoe	1
D	Nylon conic shaped seal for drain	1
E	Brass nut	2
F	4 in. brass tailpiece	1
G	Brass overflow to drain pipe	1
H	Nylon flat seal with flange	1
I	1-1/2 in. male threaded adaptor	1
J	1-1/2 overflow male-to-male connector	1
K	Floor anchor	2

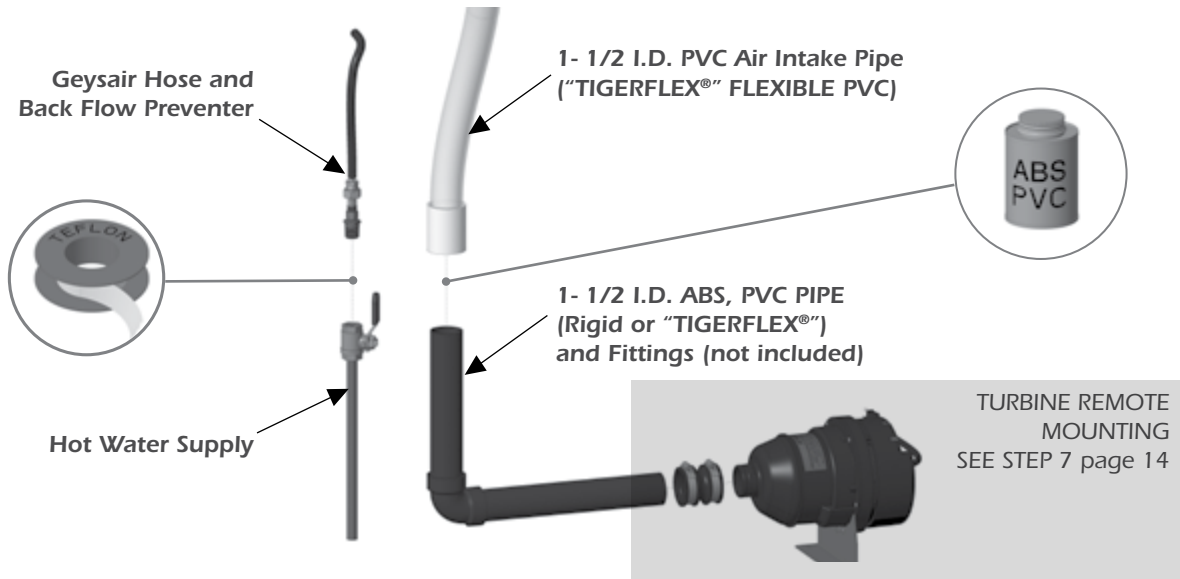


**! WARNINGS**

- If necessary adjust length of the flexible overflow piping connected to the overflow.
- Adjust length on the straight part of the brass overflow pipe (G) to fit with the drain position that varies with different bath models.

**REMOTE MOUNTING OF TURBINE WITH ACCESS UNDER BATH**

**2 TURBINE & GEYSAIR INSTALLATION (FOR THERMOMASSEUR®)**



**! WARNINGS**

- Access to Geysair® backflow preventer is necessary for cleaning of the filter.
- Baths from Nokori® collection cannot be drilled for faucet installation. Faucets must be freestanding or wall-mounted models.
- **Geysair component cannot be remote mounted. It must stay at original position, attached to bath. Must never be unplugged.**

**3 ELECTRICAL WIRING OF OPTIONAL COMPONENTS**



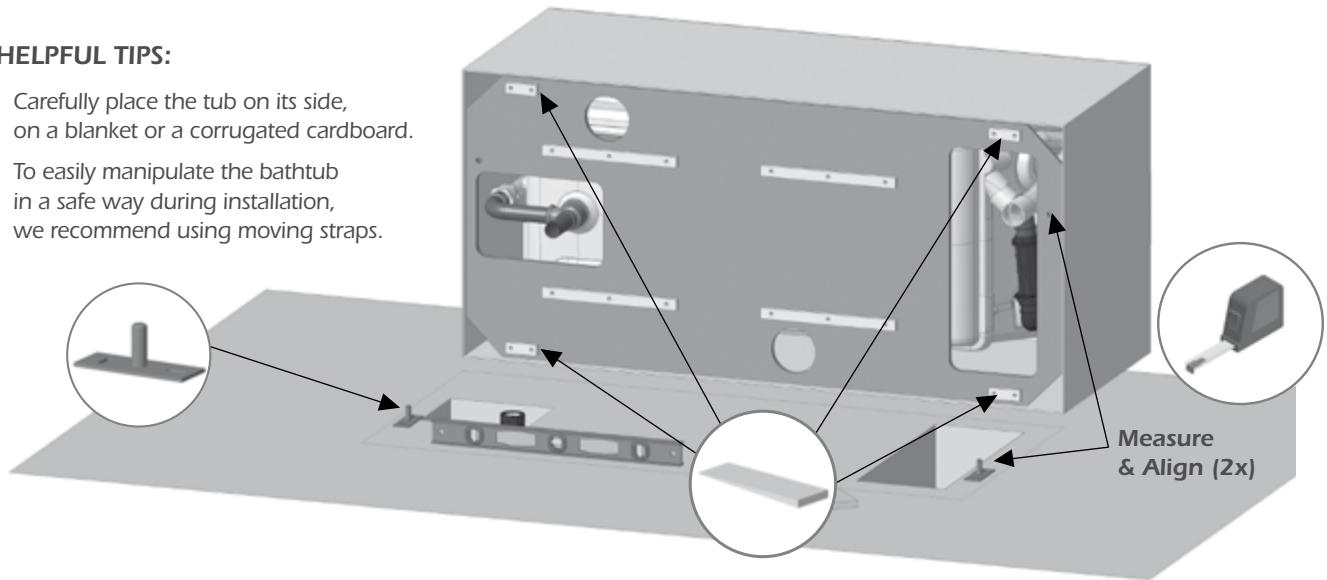
**REMOTE MOUNTING OF TURBINE WITH ACCESS UNDER BATH**

**4 BATH INSTALLATION**



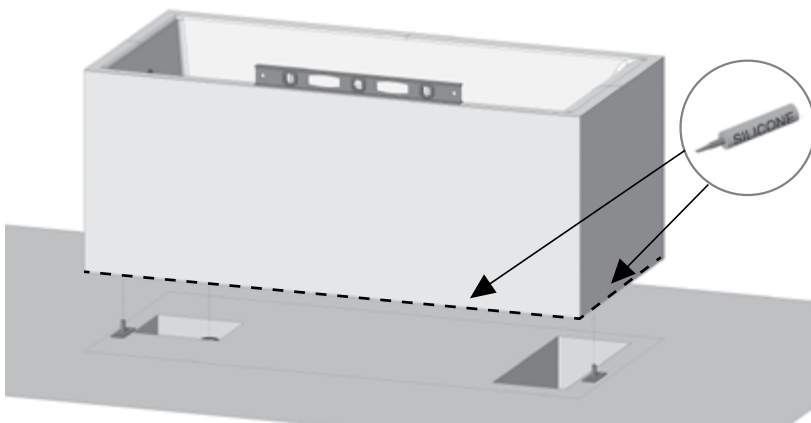
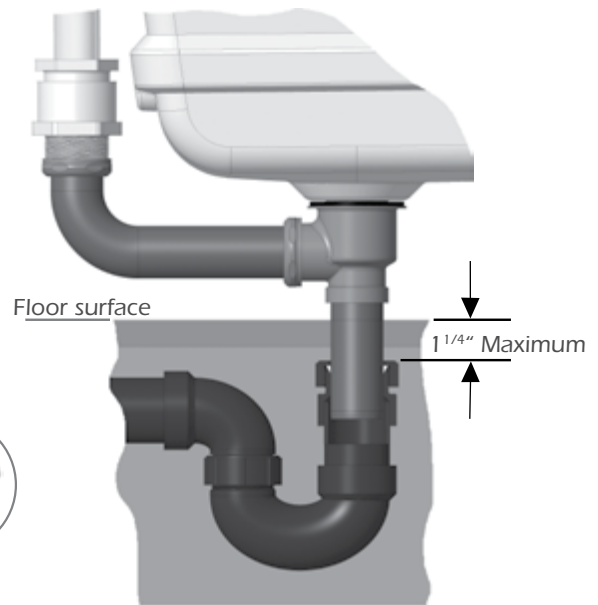
**HELPFUL TIPS:**

- Carefully place the tub on its side, on a blanket or a corrugated cardboard.
- To easily manipulate the bathtub in a safe way during installation, we recommend using moving straps.



**WARNINGS**

- Be sure the floor is leveled. Use shims as needed.
- Do not remove the protective plastic film on the tub and place a drop-cloth in the tub during installation to protect the acrylic.
- The tub must be securely anchored to floor.
- Apply a bead of silicone around the perimeter of the bath once on the floor.



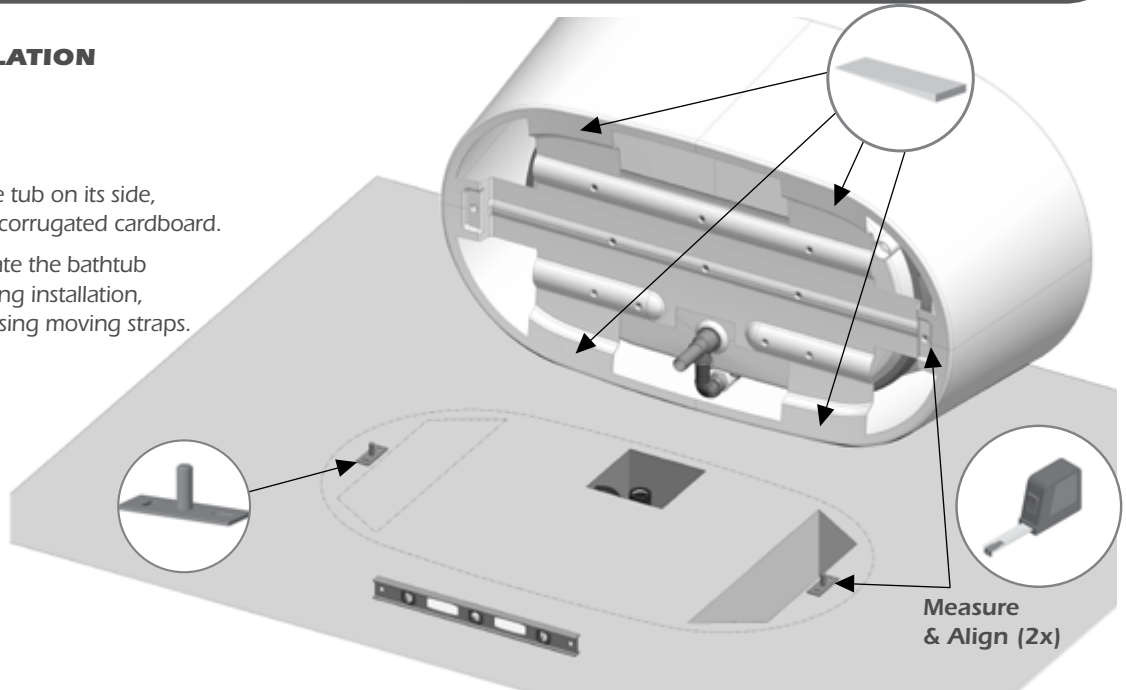
**REMOTE MOUNTING OF TURBINE WITH ACCESS UNDER BATH**

**4 BATH INSTALLATION**



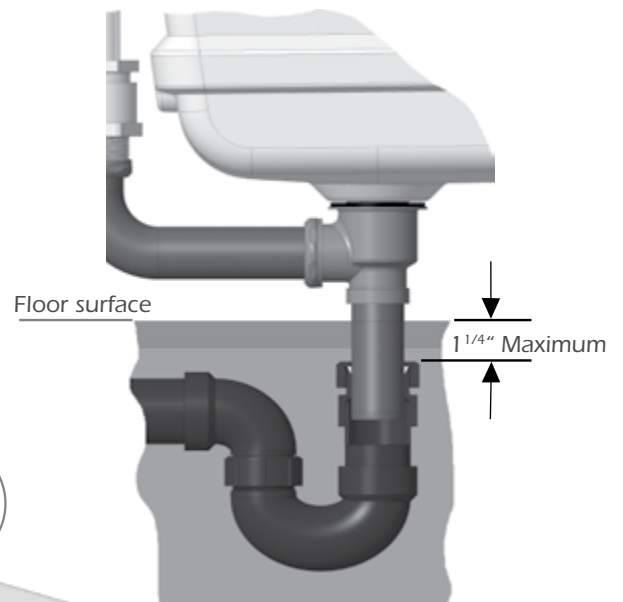
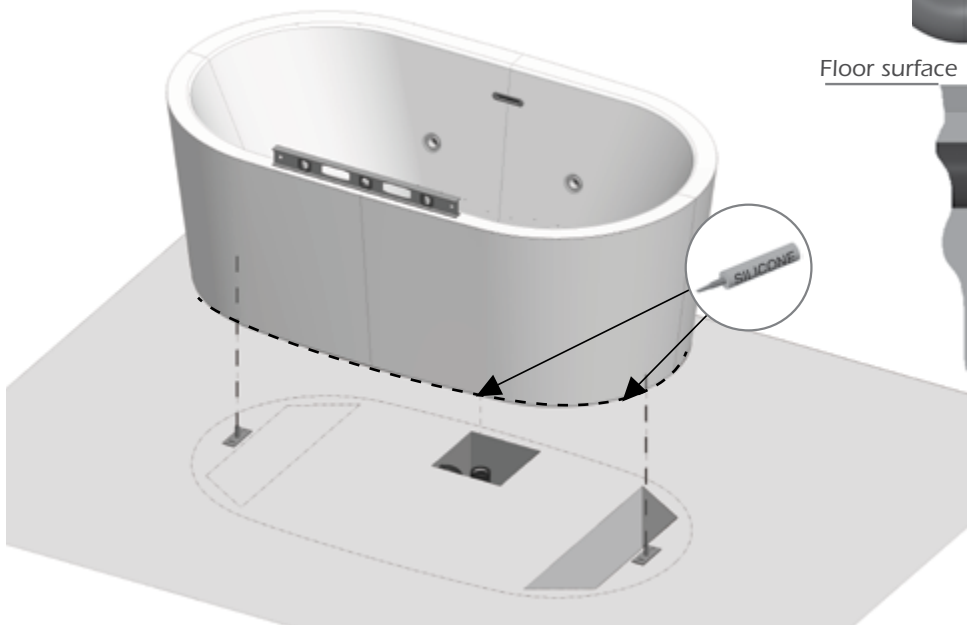
**HELPFUL TIPS:**

- Carefully place the tub on its side, on a blanket or a corrugated cardboard.
- To easily manipulate the bathtub in a safe way during installation, we recommend using moving straps.



**WARNINGS**

- Be sure the floor is leveled. Use shims as needed.
- Do not remove the protective plastic film on the tub and place a drop-cloth in the tub during installation to protect the acrylic.



**REMOTE MOUNTING OF TURBINE WITH ACCESS UNDER BATH**

**5 ELECTRONIC CONTROL INSTALLATION - MIAPLUS® & MIAMULTI® (OPTIONAL) LOCATION**

**LOCATION:** Determine the most convenient location, on the wall close to tub. Peel off the protective film of sticker behind the control. You can add a silicone bead to secure to the wall.

**! WARNINGS**

- Baths from Nokori® collection cannot be drilled for faucet installation. Faucets must be freestanding or wall-mounted model
- **DRILLING OF WALL:** Refer to the **Cutting Template on page 43** for the location and diameter of the holes.

**TOOLS REQUIRED**

- Jig saw with fine cut blade
- Drill
- 1/4 in. drill bit

**TOUCH PAD INSTALLATION**

- Push wiring through drilled holes.
- Remove protective film from watertight seal.
- Secure to the wall with permanent waterproof sealant (mold-free clear silicone for bathrooms).
- Secure temporarily with a tape for about 24 h.



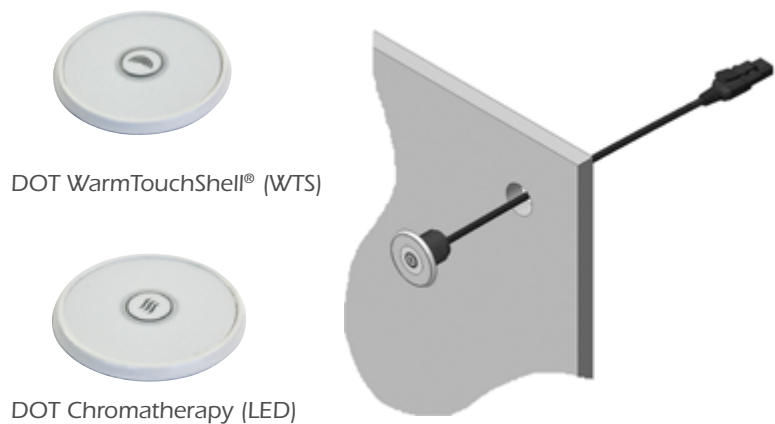
**5 ELECTRONIC CONTROL INSTALLATION - DOT**

**TOOLS REQUIRED**

- 7/8 in. Hole saw
- Drill

**TOUCH PAD INSTALLATION**

- Push wiring through drilled holes.
- Remove protective film from watertight seal.
- Secure to the wall with permanent waterproof sealant (mold-free clear silicone for bathrooms).
- Secure temporarily with a tape for about 24 h.

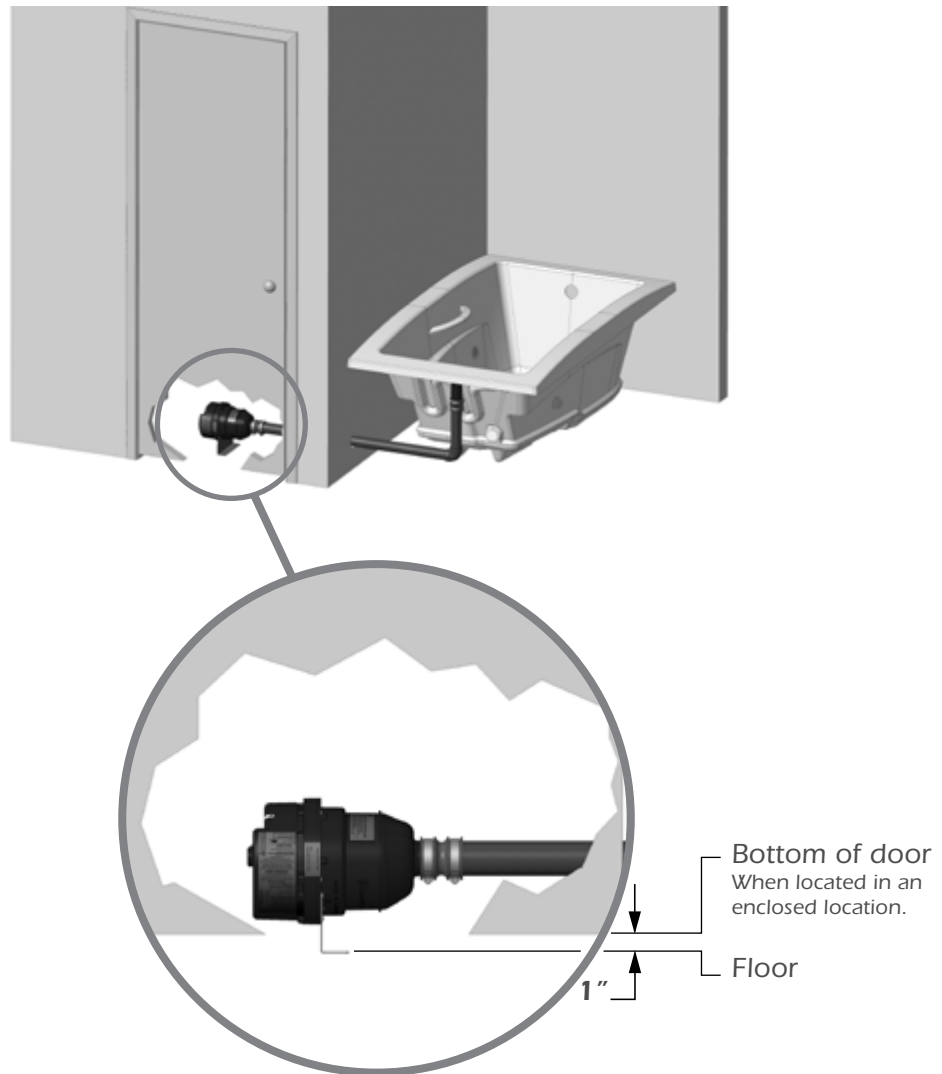


**! WARNING**

- If the control is not factory installed, you will find it attached to the turbine, or to the electronic control modules.

**REMOTE MOUNTING OF TURBINE WITH ACCESS UNDER BATH**

**6 REMOTE MOUNTING OF TURBINE**

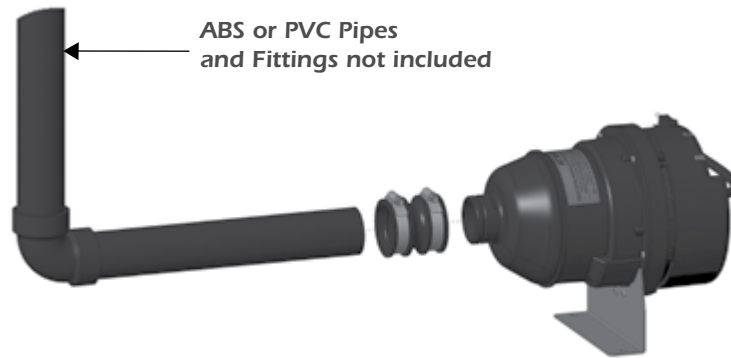


**⚠ WARNINGS**

- Choose a location for the turbine with the shortest possible distance from the Thermomasseur® bath, no more than **15 ft. (4,6m)**, and a maximum of six elbow directional changes to ensure system performance. It can be under the floor, in a closet or any other place that can hide the turbine and if needed optional modules. Easy access must remain possible at all time and sufficient air ventilation is necessary for turbine.
- A service access is necessary. Minimum dimensions are 22 in. x 18 in. (55 cm x 46 cm) to properly reach all electrical components of the system.
- An air vent is necessary. Minimum dimensions are: 2 in. x 4 in. (5 cm x 10 cm) to ensure proper functioning of the turbine.
- **Geysair® cannot be remotely installed.**

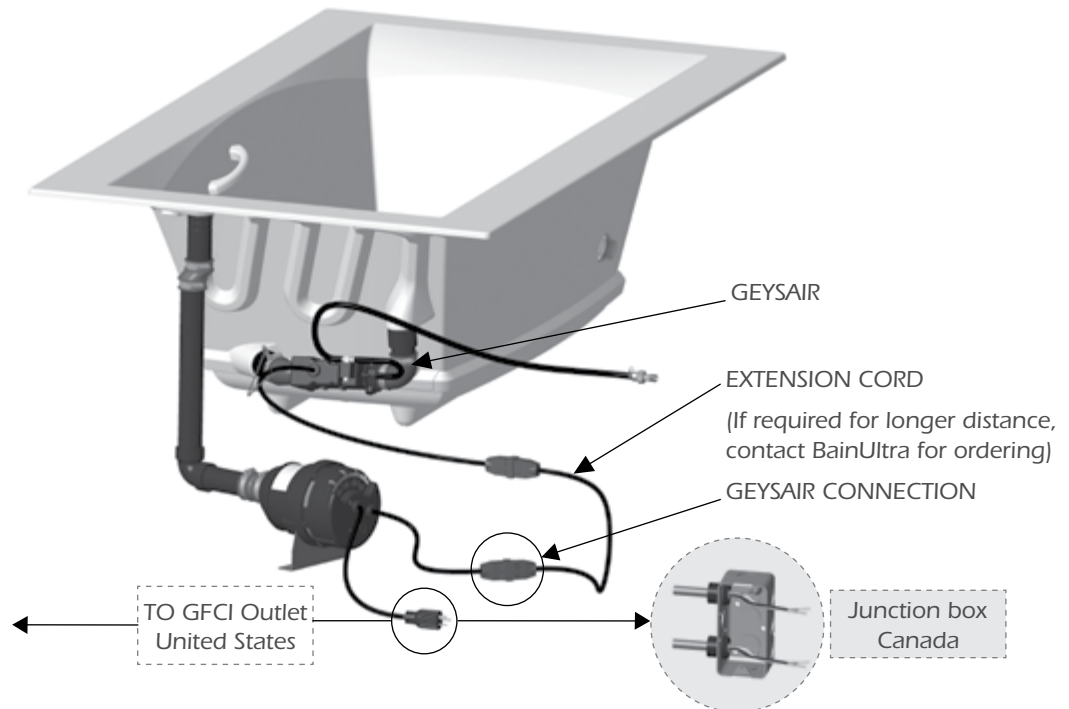
**REMOTE MOUNTING OF TURBINE WITH ACCESS UNDER BATH**

**7 REMOTE MOUNTING OF TURBINE - AIR PIPE (THERMOMASSEUR®)**




**7 REMOTE MOUNTING OF TURBINE - ELECTRICAL CONNECTIONS (THERMOMASSEUR®)**

▪ See page 17 for electrical diagram



**! WARNING**

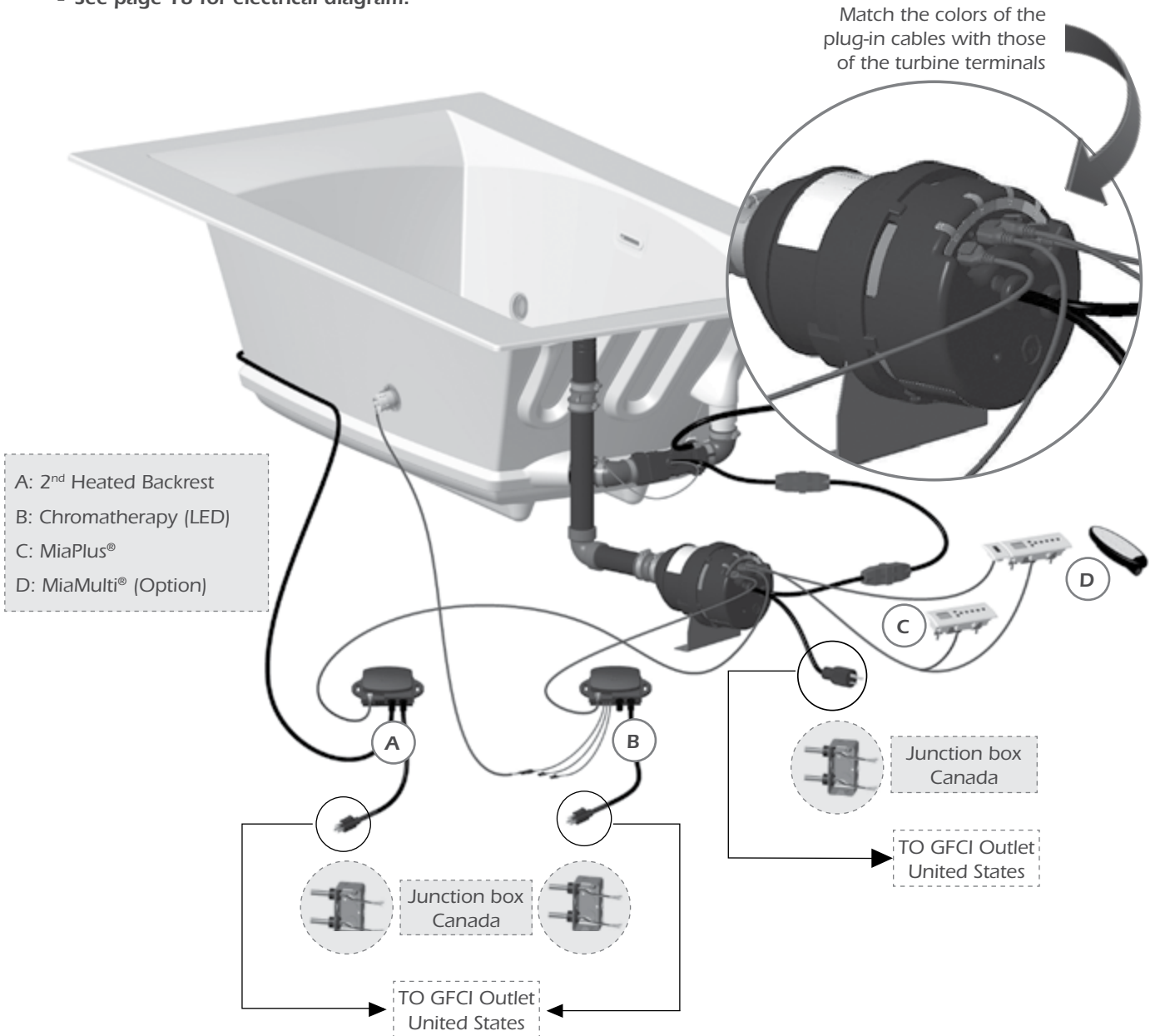
- For ThermoMasseur® baths using remote turbine installation (not mounted on the bath), grounding continuity must be tested between the bath grounding terminal  and the bath power supply. Failure to perform the grounding continuity test could result in serious personal injury.



**REMOTE MOUNTING OF TURBINE WITH ACCESS UNDER BATH**

**8 REMOTE MOUNTING OF TURBINE - ELECTRICAL CONNECTIONS OF OPTIONAL THERAPIES**

- See page 18 for electrical diagram.



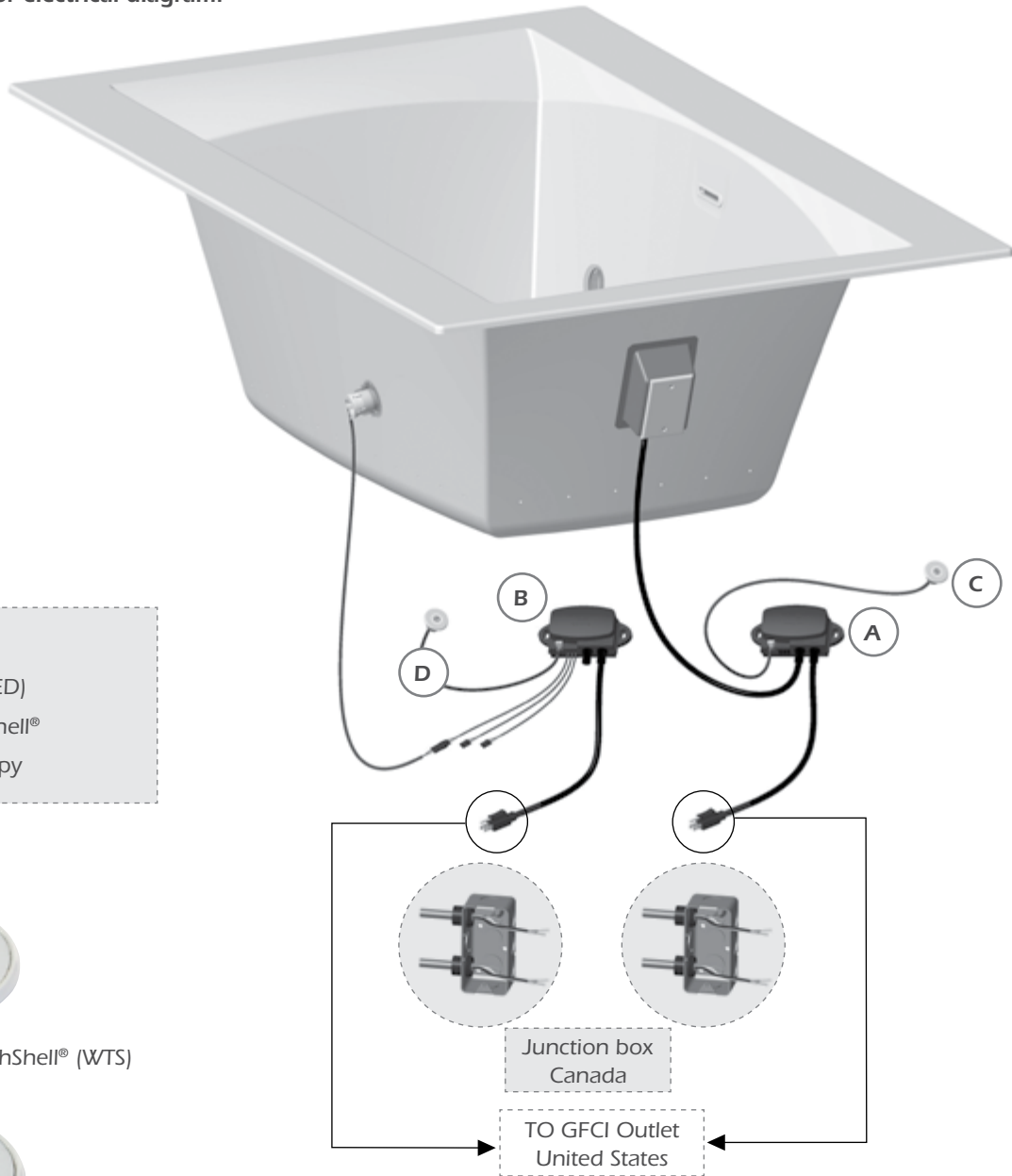
**⚠ WARNINGS**

- Electrical outlet must be installed by a certified electrician. Installation must be conducted in accordance with all local, provincial/state, and federal building/electrical codes and regulation.
- Connect electrical supply only after all low voltage wiring is properly installed on turbine.
- If you did not follow this last step, shut off and then restart your home's circuit breaker.
- Turbine and air pipe should be clear of building materials and wiring.

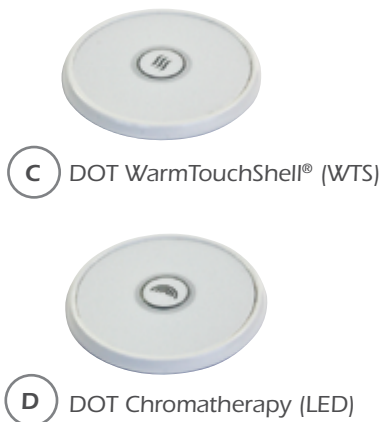
**REMOTE MOUNTING OF TURBINE WITH ACCESS UNDER BATH**

**8 REMOTE MOUNTING OF OPTIONAL THERAPIES (TUB ONLY) - ELECTRICAL CONNECTIONS**

▪ See page 18 for electrical diagram.



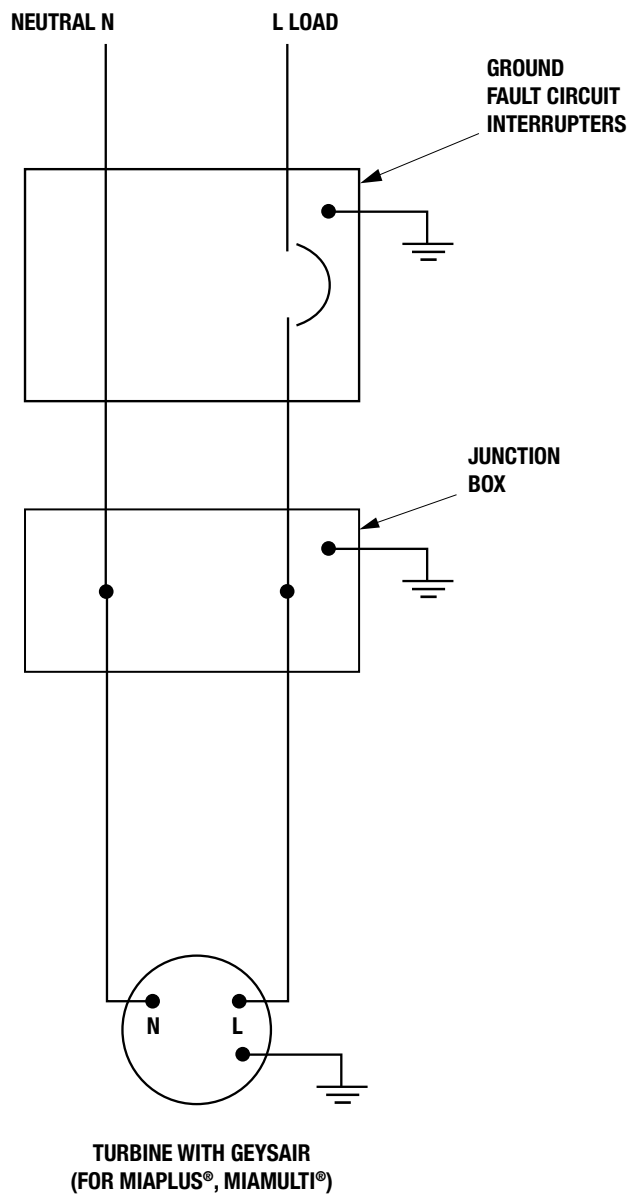
- A: WarmTouchShell®
- B: Chromotherapy (LED)
- C: DOT WarmTouchShell®
- D: DOT Chromotherapy



**REMOTE MOUNTING OF TURBINE WITH ACCESS UNDER BATH**

**ELECTRICAL DIAGRAM - THERMOMASSEUR**

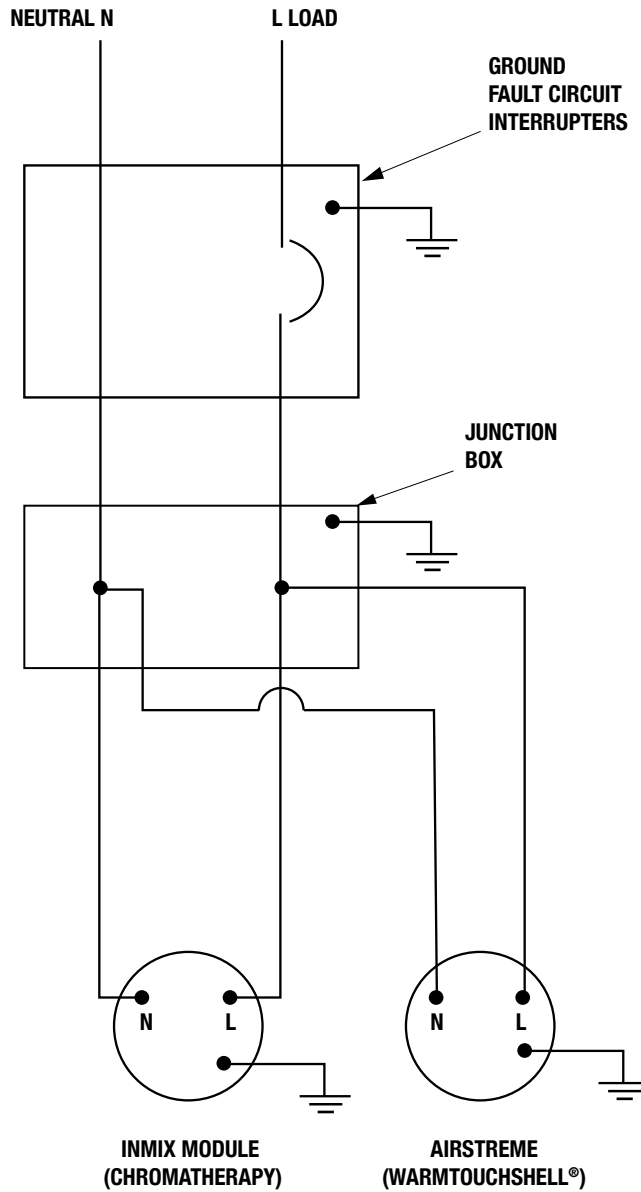
**20A CIRCUIT**



**REMOTE MOUNTING OF TURBINE WITH ACCESS UNDER BATH**

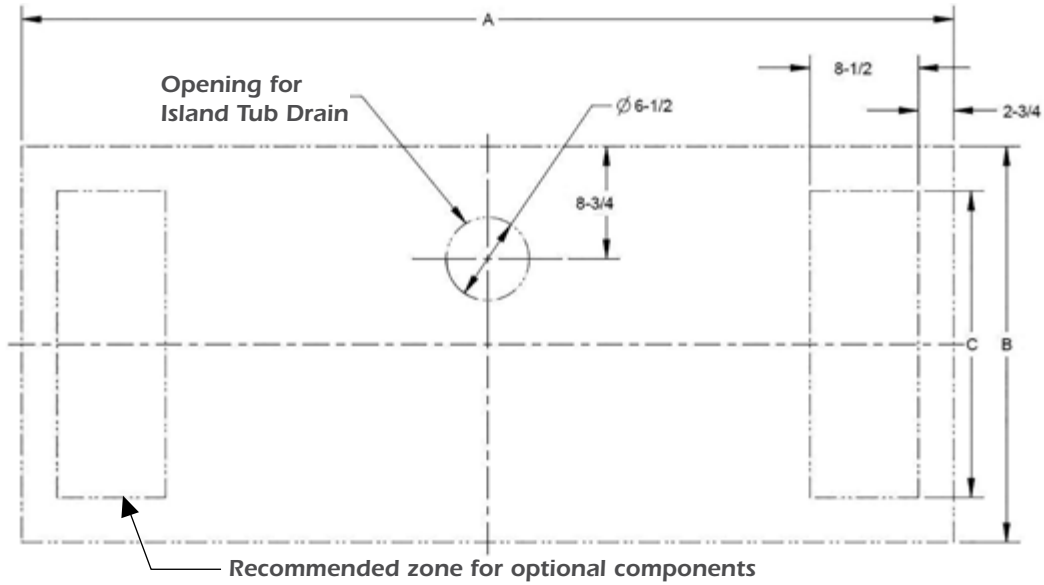
**ELECTRICAL DIAGRAM - THERAPIES**

**15A CIRCUIT**

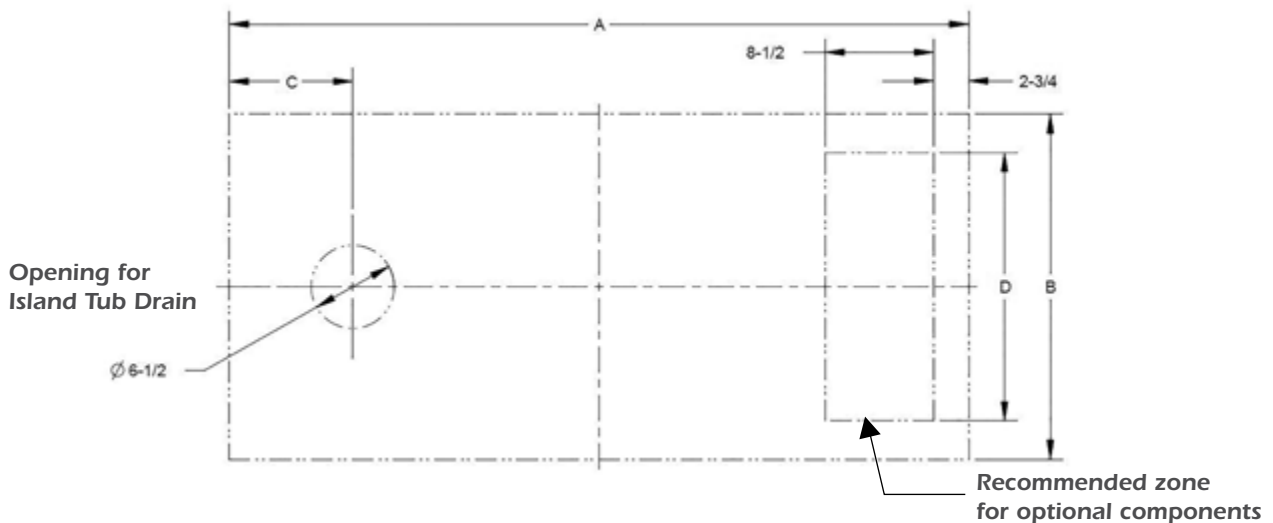


## REMOTE MOUNTING OF TURBINE PIPING & WIRING UNDER FLOOR & NO ACCESS UNDER BATH

### 1 PLUMBING - FLOOR LAYOUT FOR PIPES AND ACCESS



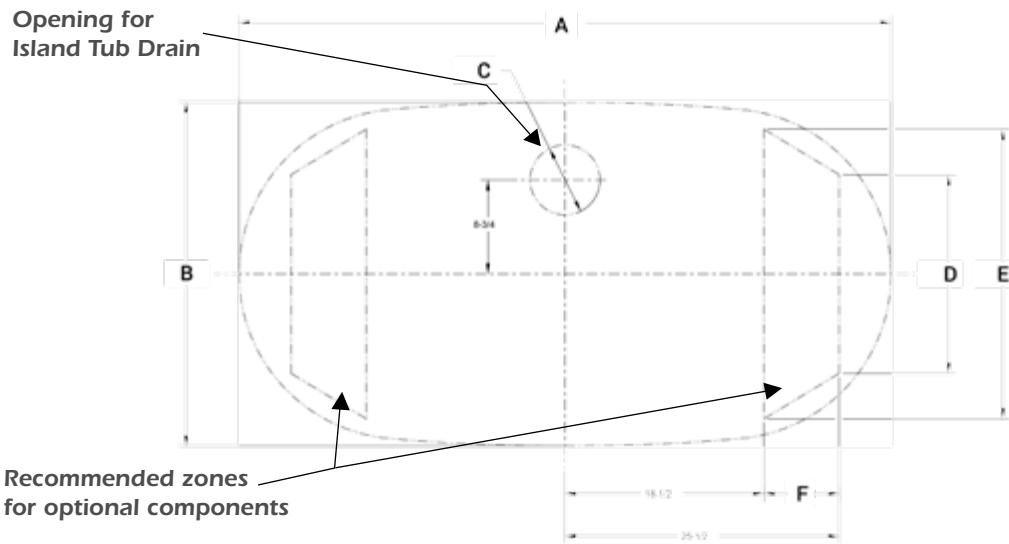
DIMENSIONS (IN.)	A	B	C
NOKORI 6935	69"	35"	28"
NOKORI 7131	70-1/2"	31"	24"



DIMENSIONS (IN.)	A	B	C	D
NOKORI 5827	58"	27"	9 <sup>5</sup> / <sub>8</sub> "	21"
NOKORI 6331	63"	31"	10"	23"
NOKORI 6429	64"	29"	9 <sup>5</sup> / <sub>8</sub> "	23"

**REMOTE MOUNTING OF TURBINE  
PIPING & WIRING UNDER FLOOR & NO ACCESS UNDER BATH**

**1 PLUMBING - FLOOR LAYOUT FOR PIPES AND ACCESS (CONT'D)**



DIMENSIONS (IN.)	A	B	C	D	E	F
NOKORI OVAL 6737	60 <sup>3/4</sup> "	32"	6 <sup>1/2</sup> "	18 <sup>1/2</sup> "	26 <sup>7/8</sup> "	7"

NOTE: Detailed plan is provided in the **Documentation / Installation User Guides** section of **Nokori bath models** on our Web site **bainultra.com**.

**1 PLUMBING**



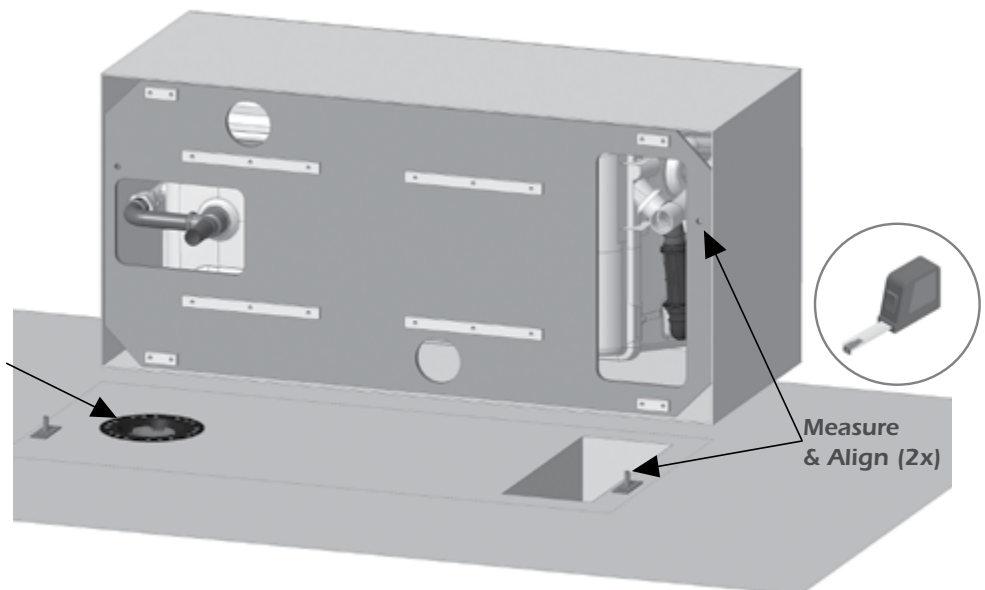
**HELPFUL TIP:** Carefully place the tub on its side, on a blanket or a corrugated cardboard.



**WARNING**

- Refer to supplied instructions for Island Tub Drain installation.

Island Tub Drain



**REMOTE MOUNTING OF TURBINE  
PIPING & WIRING UNDER FLOOR & NO ACCESS UNDER BATH**

**1 PLUMBING**

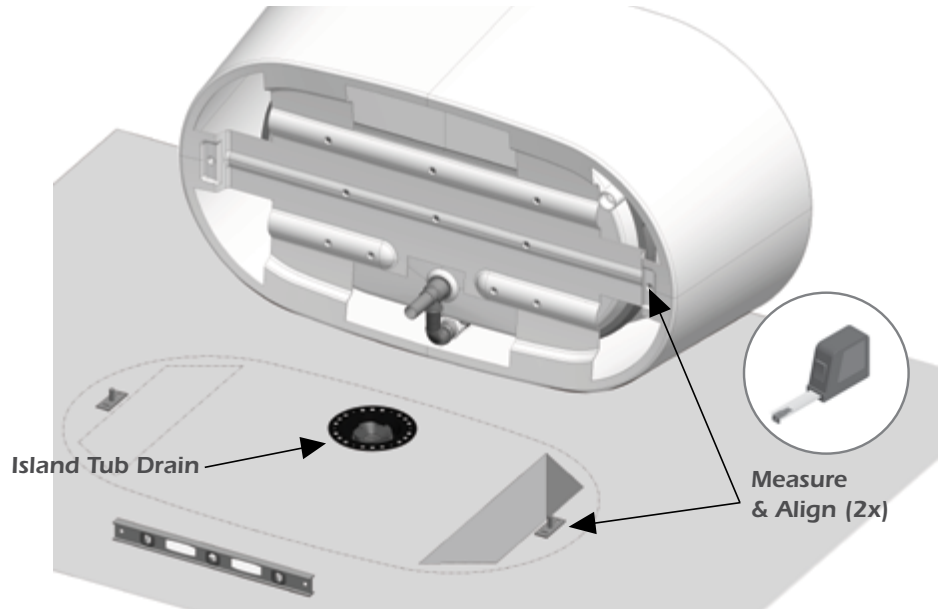


**HELPFUL TIP:** Carefully place the tub on its side, on a blanket or a corrugated cardboard.



**WARNING**

- Refer to supplied instructions for Island Tub Drain installation.



**A. STANDARD PARTS - PLUMBING**

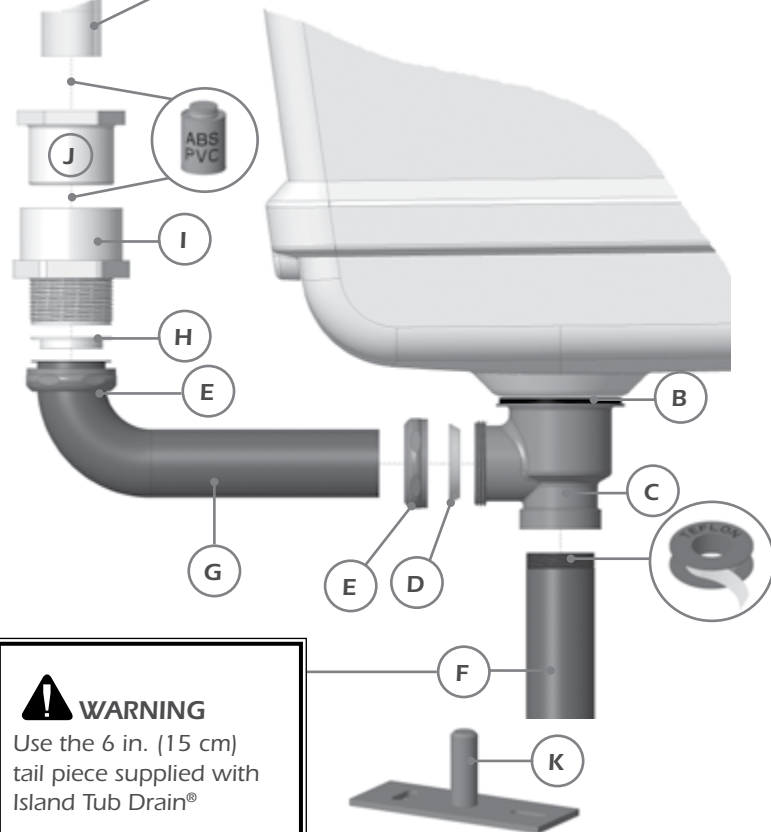
	DESCRIPTION	QTY
A	Plated drain clicker	1
B	Rubber seal	1
C	Brass drain shoe	1
D	Nylon conic shaped seal for drain	1
E	Brass nut	2
F	4 in. brass tailpiece	1
G	Brass overflow to drain pipe	1
H	Nylon flat seal with flange	1
I	1-1/2 in. male threaded adaptor	1
J	1-1/2 overflow male-to-male connector	1
K	Floor anchor	2



**WARNINGS**

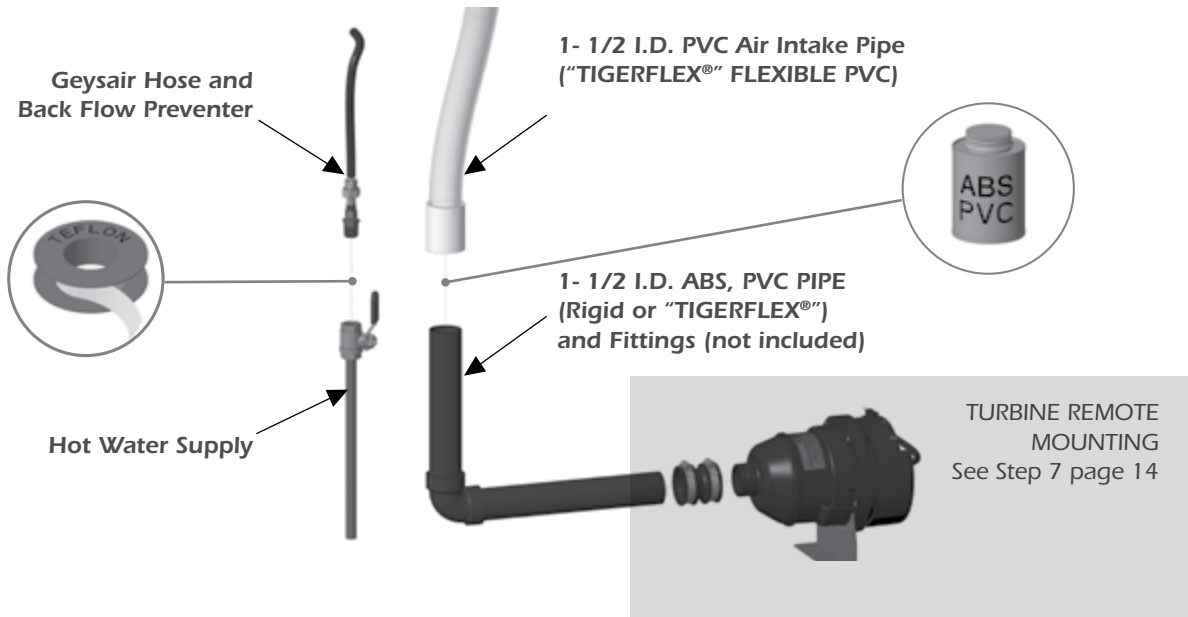
- If necessary adjust length of the flexible overflow piping connected to the overflow.
- Adjust length on the straight part of the brass overflow pipe (G) to fit with the drain position that varies with different bath models.

**Flexible Overflow Piping  
(Factory installed)**



**REMOTE MOUNTING OF TURBINE  
PIPING & WIRING UNDER FLOOR & NO ACCESS UNDER BATH**

**2 TURBINE & GEYSAIR INSTALLATION (FOR THERMOMASSEUR®)**



**! WARNINGS**

- Access to Geysair® backflow preventer is necessary for cleaning of the filter.
- Baths from Nokori® collection cannot be drilled for faucet installation. Faucets must be freestanding or wall-mounted models.
- **Geysair component cannot be remote mounted. It must stay at original position, attached to bath. Must never be unplugged.**

**3 ELECTRICAL WIRING OF OPTIONAL COMPONENTS**





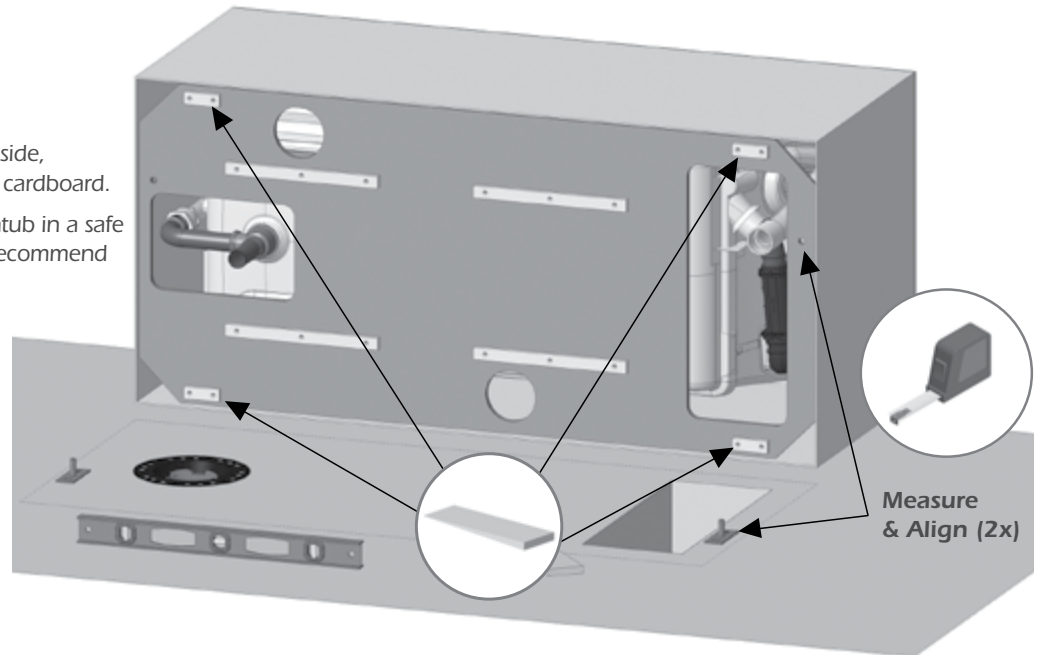
**REMOTE MOUNTING OF TURBINE  
PIPING & WIRING UNDER FLOOR & NO ACCESS UNDER BATH**

**4 BATH INSTALLATION**



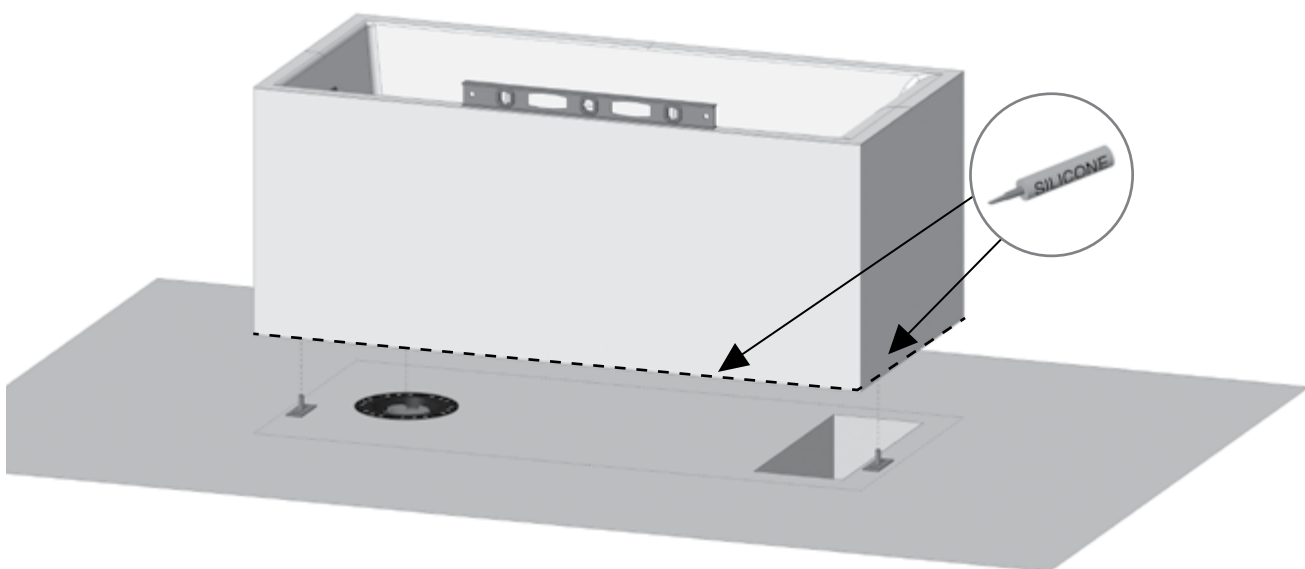
**HELPFUL TIPS:**

- Carefully place the tub on its side, on a blanket or a corrugated cardboard.
- To easily manipulate the bathtub in a safe way during installation, we recommend using moving straps.



**WARNINGS**

- Be sure the floor is leveled. Use shims as needed.
- Do not remove the protective plastic film on the tub and place a drop-cloth in the tub during installation to protect the acrylic.
- The tub must be securely anchored to floor.
- Apply a bead of silicone around the perimeter of the bath once on the floor.



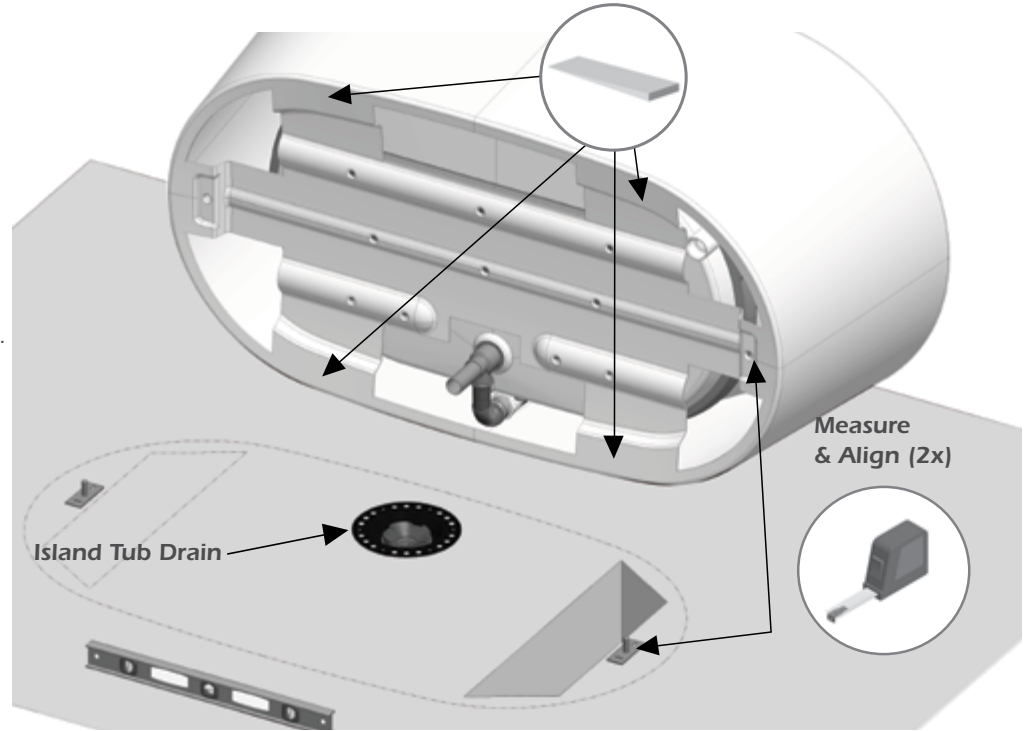
**REMOTE MOUNTING OF TURBINE  
PIPING & WIRING UNDER FLOOR & NO ACCESS UNDER BATH**

**4 BATH INSTALLATION**



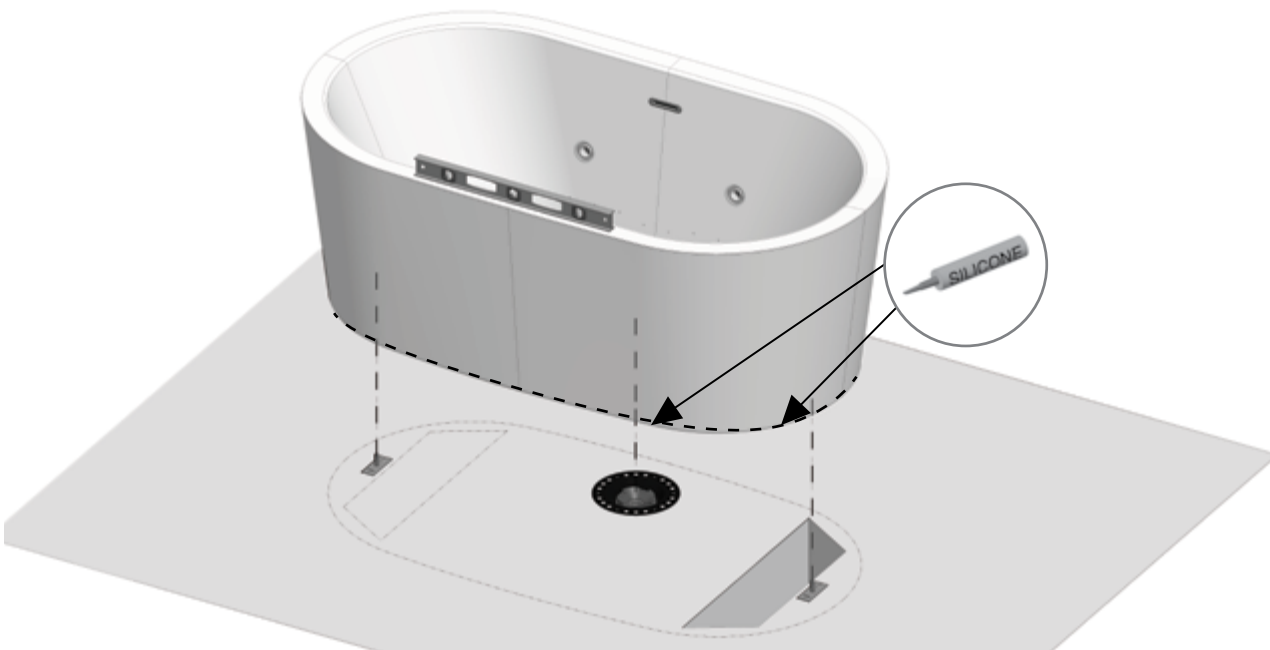
**HELPFUL TIPS:**

- Carefully place the tub on its side, on a blanket or a corrugated cardboard.
- To easily manipulate the bathtub in a safe way during installation, we recommend using moving straps.



**! WARNINGS**

- Be sure the floor is leveled. Use shims as needed.
- Do not remove the protective plastic film on the tub and place a drop-cloth in the tub during installation to protect the acrylic.
- The tub must be securely anchored to floor.
- Apply a bead of silicone around the perimeter of the bath once on the floor.



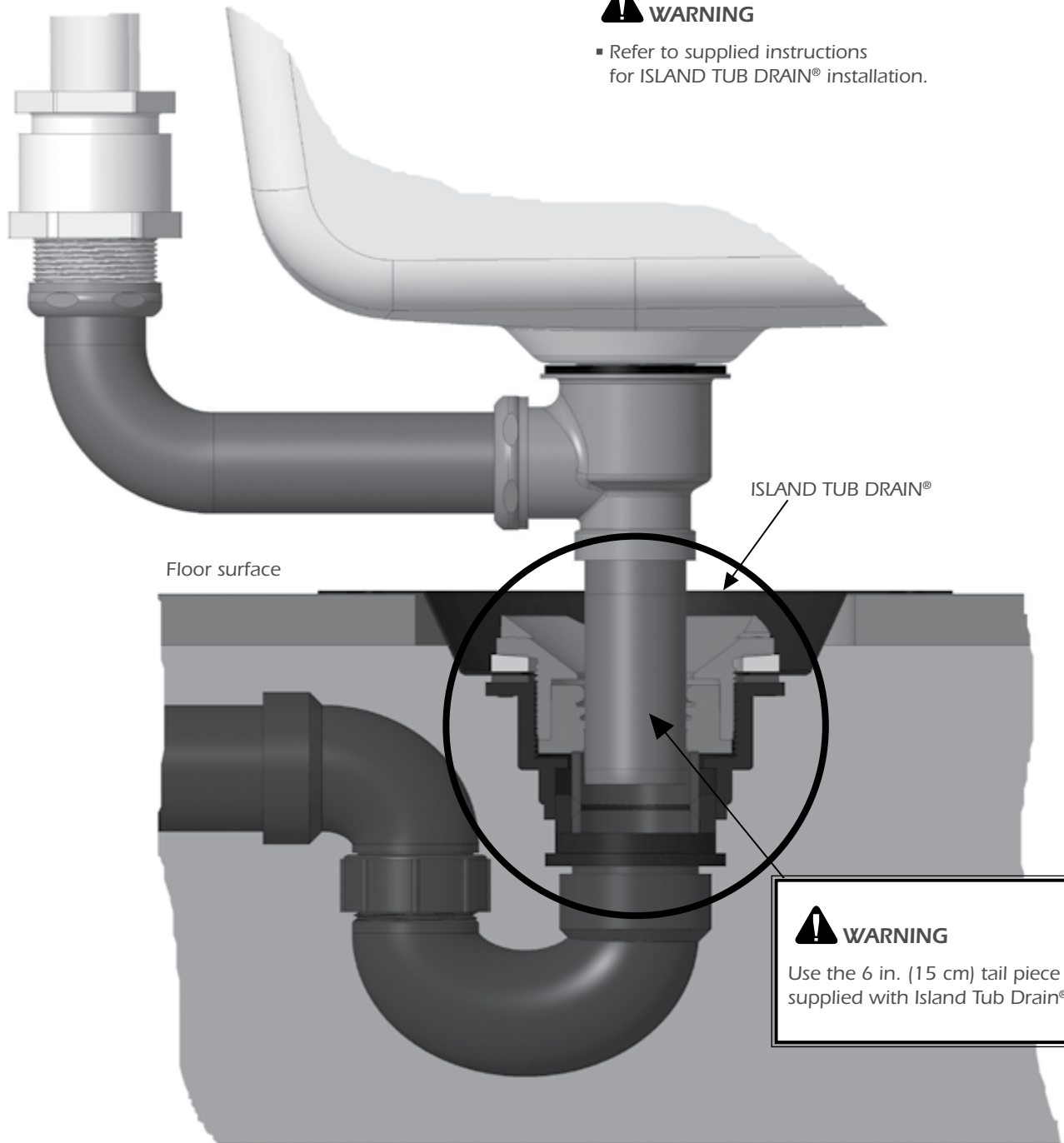
**REMOTE MOUNTING OF TURBINE  
PIPING & WIRING UNDER FLOOR & NO ACCESS UNDER BATH**

**4 BATH INSTALLATION**

**DRAIN CONNECTION WITH ISLAND TUB DRAIN® (ITD) - INFORMATION**

**⚠ WARNING**

- Refer to supplied instructions for ISLAND TUB DRAIN® installation.



**⚠ WARNING**  
Use the 6 in. (15 cm) tail piece supplied with Island Tub Drain®

NOKORI - installation

**REMOTE MOUNTING OF TURBINE  
PIPING & WIRING UNDER FLOOR & NO ACCESS UNDER BATH**

FOR NEXT STEPS SEE SECTION:

**INSTALLATION – REMOTE MOUNTING OF TURBINE WITH ACCESS UNDER BATH**

**5** ELECTRONIC CONTROL INSTALLATION – MIAPLUS® & MIAMULTI® (OPTIONAL) ..... 12

**5** ELECTRONIC CONTROL INSTALLATION – DOT ..... 12

**6** REMOTE MOUNTING OF TURBINE ..... 13

**7** REMOTE MOUNTING OF TURBINE – AIR PIPE (THERMOMASSEUR®)..... 14

**7** REMOTE MOUNTING OF TURBINE – ELECTRICAL CONNECTIONS (THERMOMASSEUR®) ..... 14

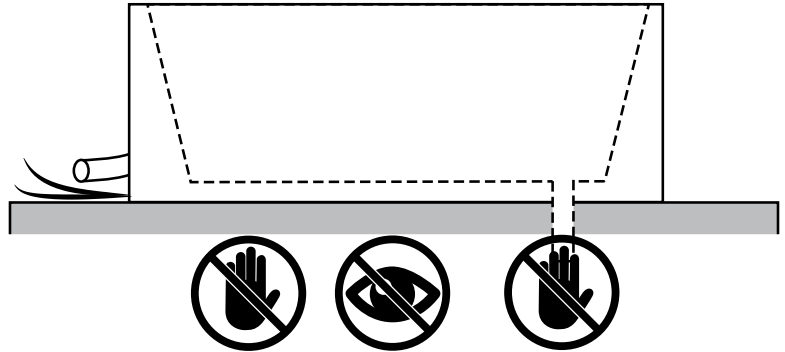
**8** REMOTE MOUNTING OF TURBINE – ELECTRICAL CONNECTIONS OF OPTIONAL THERAPIES ..... 15

**8** REMOTE MOUNTING OF OPTIONAL THERAPIES (TUB ONLY) – ELECTRICAL CONNECTIONS ..... 16

ELECTRICAL DIAGRAM – THERMOMASSEUR ..... 17

ELECTRICAL DIAGRAM – THERAPIES ..... 18

**REMOTE MOUNTING OF TURBINE  
PIPING & WIRING ABOVE FLOOR & NO ACCESS UNDER BATH**



PLEASE FOLLOW THESE INSTRUCTIONS IF YOU HAVE NO POSSIBILITY TO RUN AIR PIPES AND ELECTRICAL WIRING UNDER THE FLOOR.

FOR NEXT STEPS, SEE SECTION: **INSTALLATION - REMOTE MOUNTING OF TURBINE, PIPING UNDER FLOOR, WITH NO ACCESS UNDER BATH**

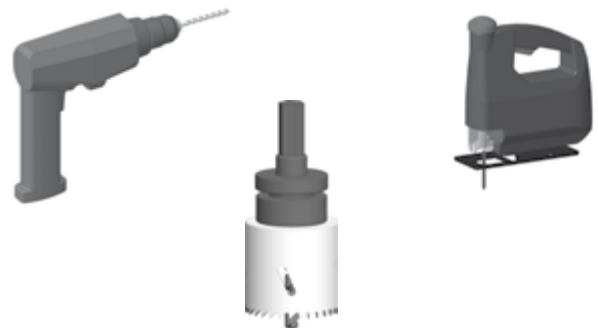
- 1** PLUMBING – FLOOR LAYOUT FOR PIPES AND ACCESS..... 19
- 1** PLUMBING ..... 20
- 2** TURBINE & GEYSAIR INSTALLATION (FOR THERMOMASSEUR®) ..... 22

**⚠ WARNING**

IF THE AIR PIPING CONNECTIONS AND POWER SUPPLY OF THERAPEUTIC OPTIONS HAVE TO BE AT FLOOR LEVEL, YOU MUST MAKE AN OPENING ON ONE SIDE OF THE BATH, AS CLOSE AS POSSIBLE TO TURBINE AND CONTROLS.

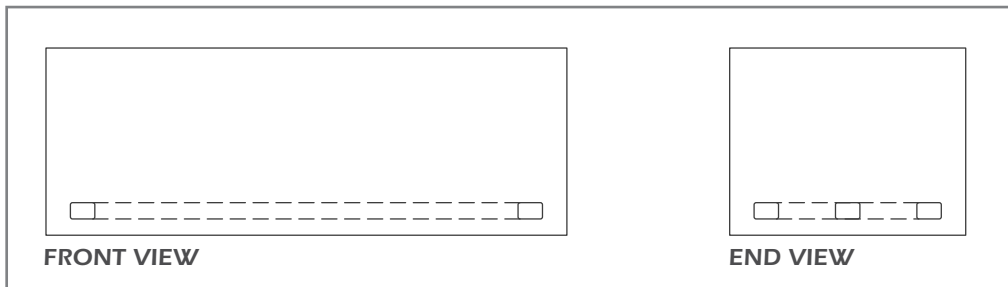
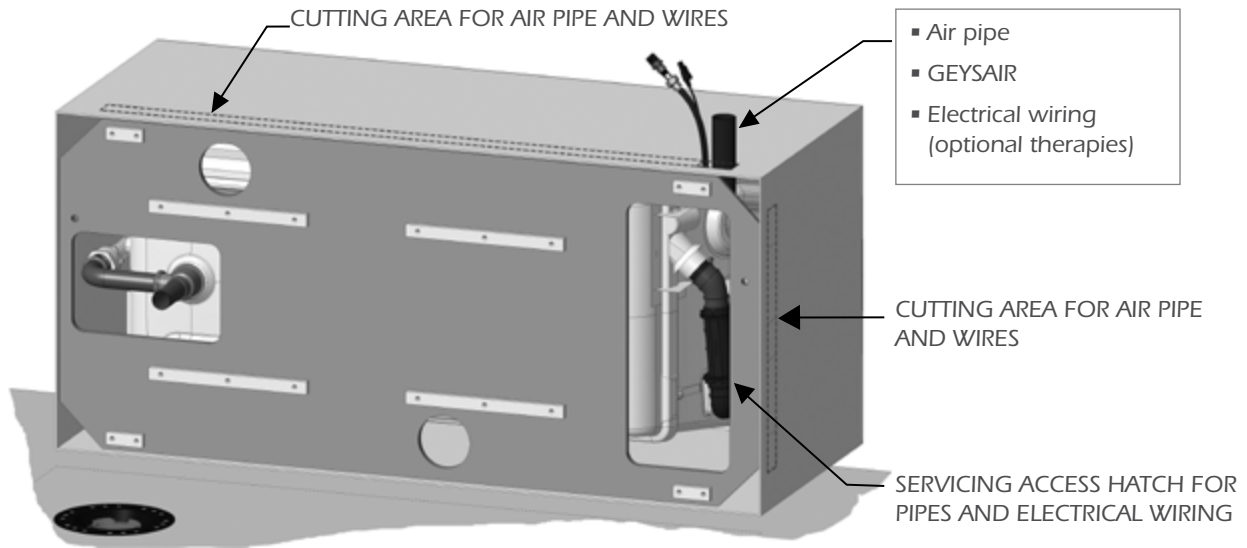
**TOOLS REQUIRED**

- Drill
- Jig saw with fine cut blade
- Hole Saw

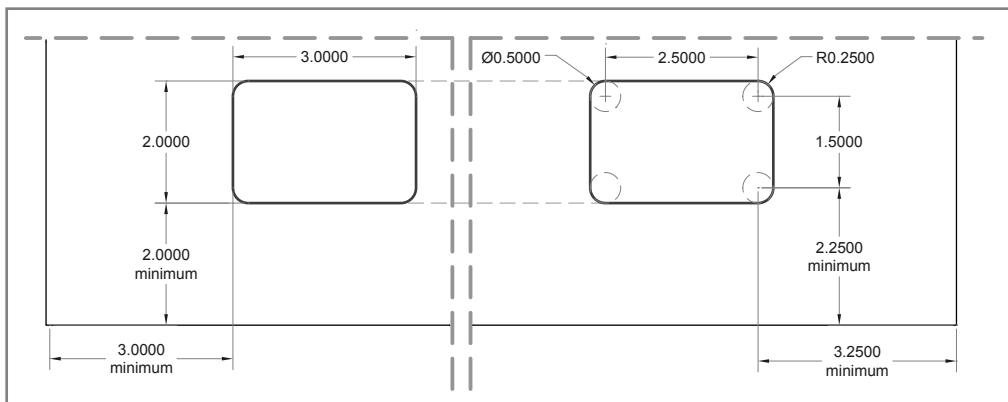


**REMOTE MOUNTING OF TURBINE  
PIPING & WIRING ABOVE FLOOR & NO ACCESS UNDER BATH**

**2 TURBINE & GEYSAIR INSTALLATION (FOR THERMOMASSEUR®)  
PASSAGE FOR THE AIR INLET PIPE AND ELECTRICAL WIRING OF OPTIONAL THERAPIES**



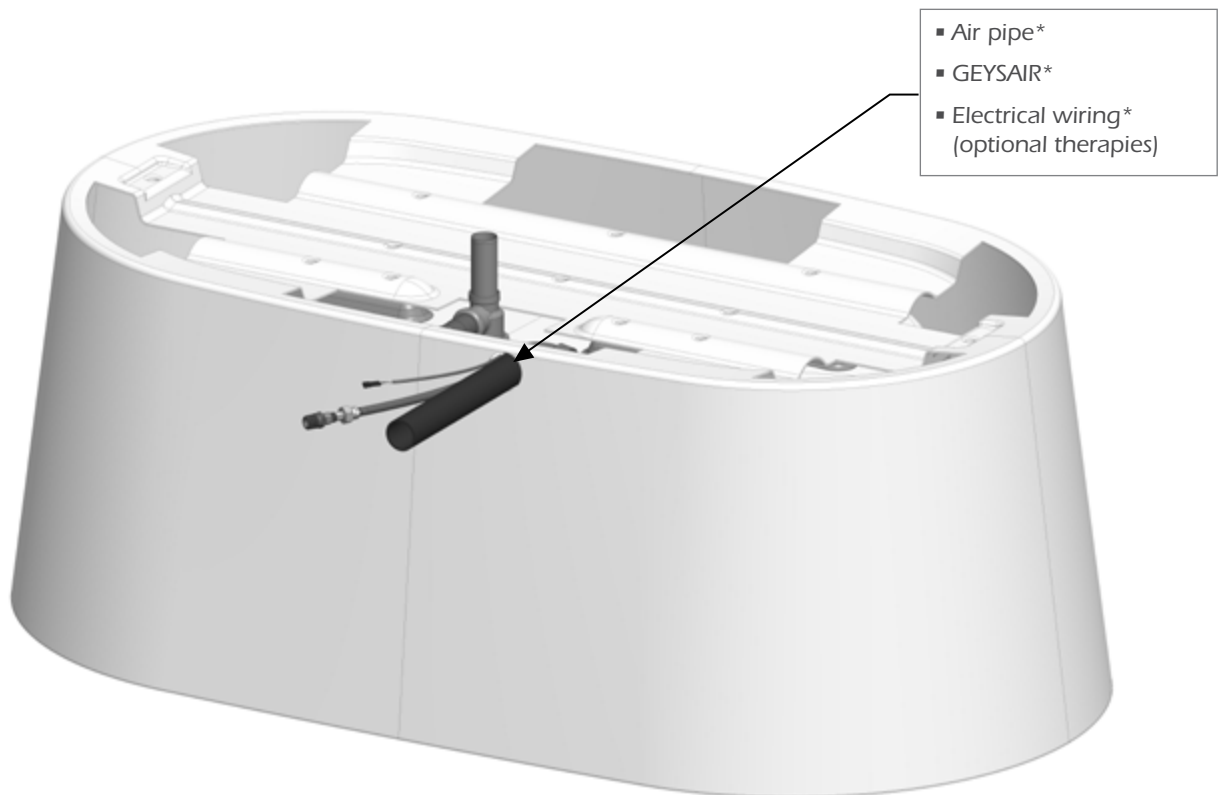
CUTTING AREA FOR AIR PIPE AND WIRES



HOLE - LOCATION & MINIMUM DIMENSIONS

**REMOTE MOUNTING OF TURBINE  
PIPING & WIRING ABOVE FLOOR & NO ACCESS UNDER BATH**

**2 TURBINE & GEYSAIR INSTALLATION (FOR THERMOMASSEUR®)  
PASSAGE FOR THE AIR INLET PIPE AND ELECTRICAL WIRING OF OPTIONAL THERAPIES**



(\*): LOCATION SHOWN AS AN EXAMPLE MAY DIFFER ACCORDING TO THE POSITION OF REMOTE COMPONENTS AND LOCATION OF BATH. SEE PAGE 21 FOR INSTALLATION OF ISLAND TUB DRAIN® (ITD)



**HELPFUL TIP:**

To easily manipulate the bathtub in a safe way during installation, we recommend using moving straps.



**WARNINGS**

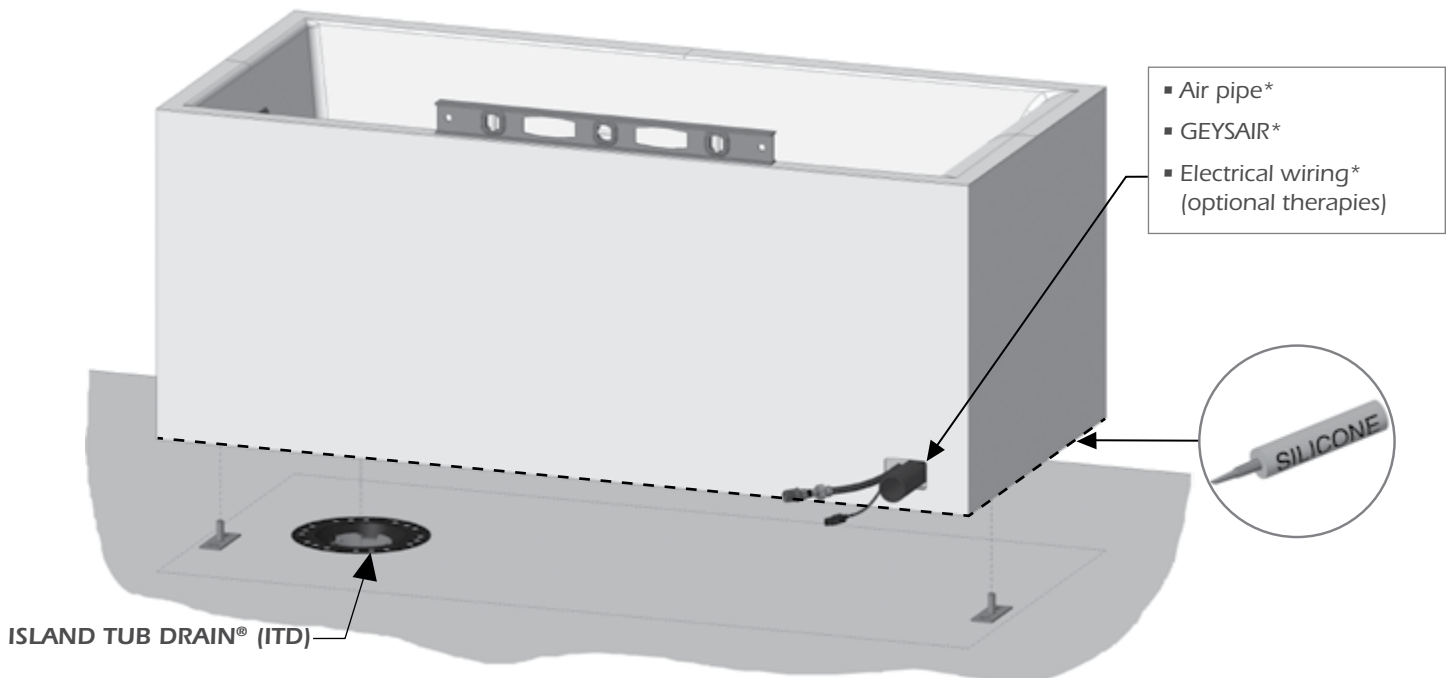
- Do not remove the protective plastic film on the bathtub and place a drop-cloth in the bath during installation to protect the acrylic.
- The bath must be securely anchored to floor.
- Apply a bead of silicone around the perimeter of the bath once on the floor.

**REMOTE MOUNTING OF TURBINE  
PIPING & WIRING ABOVE FLOOR & NO ACCESS UNDER BATH**

FOR NEXT STEPS, FOLLOW INSTRUCTIONS: **INSTALLATION - REMOTE MOUNTING OF TURBINE,  
PIPING UNDER FLOOR WITH NO ACCESS UNDER BATH**

**3** ELECTRICAL WIRING OF OPTIONAL COMPONENTS ..... 22

**4** BATH INSTALLATION ..... 23



(\*): LOCATION SHOWN AS AN EXAMPLE MAY DIFFER ACCORDING TO THE POSITION OF REMOTE COMPONENTS AND LOCATION OF BATH. SEE PAGE 21 FOR INSTALLATION OF ISLAND TUB DRAIN®(ITD)



**HELPFUL TIP:**

To easily manipulate the bathtub in a safe way during installation, we recommend using moving straps.



**WARNINGS**

- Do not remove the protective plastic film on the bathtub and place a drop-cloth in the bath during installation to protect the acrylic.
- The bath must be securely anchored to floor.
- Apply a bead of silicone around the perimeter of the bath once on the floor.



**REMOTE MOUNTING OF TURBINE  
PIPING & WIRING ABOVE FLOOR & NO ACCESS UNDER BATH**

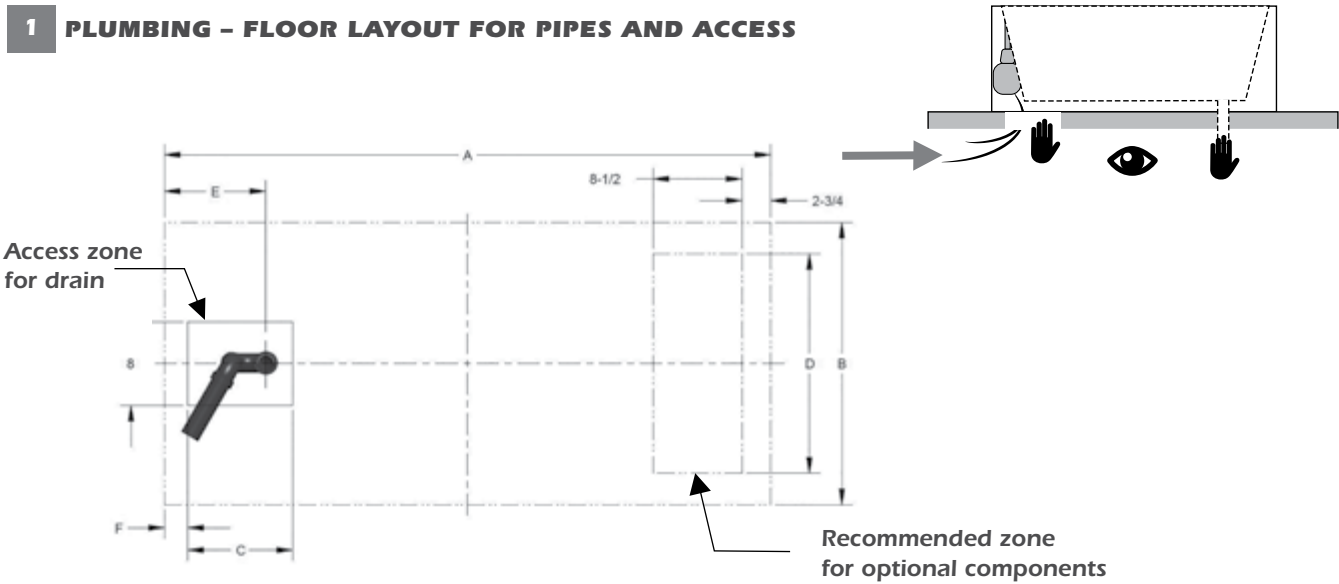
FOR NEXT STEPS SEE SECTION:

**INSTALLATION – REMOTE MOUNTING OF TURBINE WITH ACCESS UNDER BATH**

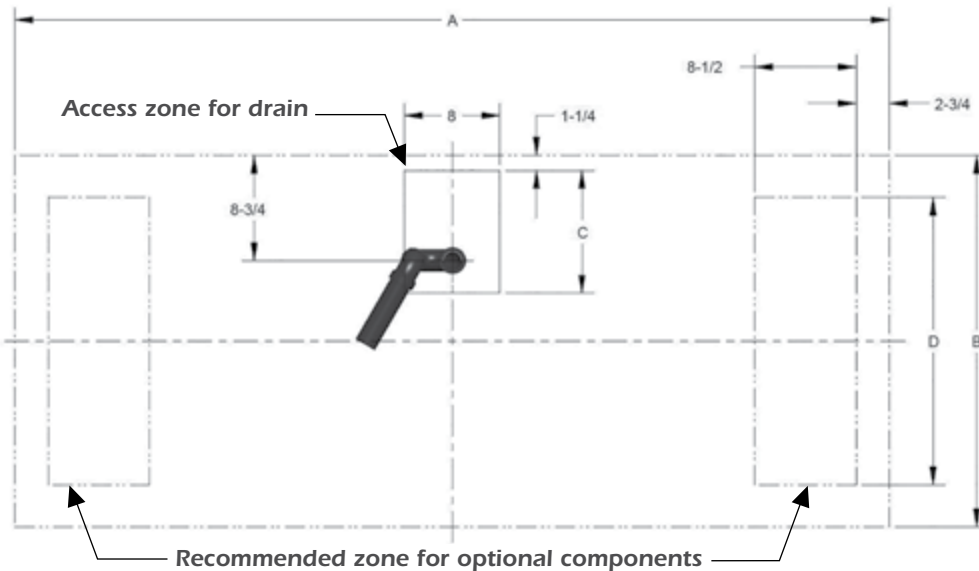
<b>5</b>	ELECTRONIC CONTROL INSTALLATION – MIAPLUS® & MIAMULTI® (OPTIONAL).....	12
<b>5</b>	ELECTRONIC CONTROL INSTALLATION – DOT (THERAPIES) .....	12
<b>6</b>	REMOTE MOUNTING OF TURBINE .....	13
<b>7</b>	REMOTE MOUNTING OF TURBINE – AIR PIPE (THERMOMASSEUR®) .....	14
<b>7</b>	REMOTE MOUNTING OF TURBINE – ELECTRICAL CONNECTIONS (THERMOMASSEUR®) .....	14
<b>8</b>	REMOTE MOUNTING OF TURBINE – ELECTRICAL CONNECTIONS OF OPTIONAL THERAPIES.....	15
<b>8</b>	REMOTE MOUNTING OF OPTIONAL THERAPIES (TUB ONLY) – ELECTRICAL CONNECTIONS.....	16
	ELECTRICAL DIAGRAM – THERMOMASSEUR .....	17
	ELECTRICAL DIAGRAM – THERAPIES .....	18

**TURBINE FACTORY INSTALLED WITH ACCESS UNDER BATH**

**1 PLUMBING - FLOOR LAYOUT FOR PIPES AND ACCESS**



DIMENSIONS (IN.)	A	B	C	D	E	F
NOKORI 5827	58"	27"	10"	21"	9 <sup>5</sup> / <sub>8</sub> "	2 <sup>1</sup> / <sub>4</sub> "
NOKORI 6331	63"	31"	10 <sup>1</sup> / <sub>2</sub> "	23"	10"	1 <sup>1</sup> / <sub>2</sub> "
NOKORI 6429	64"	29"	10"	23"	9 <sup>5</sup> / <sub>8</sub> "	2 <sup>1</sup> / <sub>4</sub> "



DIMENSIONS (IN.)	A	B	C	D
NOKORI 6935	69"	35"	10 <sup>1</sup> / <sub>4</sub> "	28"
NOKORI 7131	70 <sup>1</sup> / <sub>2</sub> "	31"	12 <sup>1</sup> / <sub>4</sub> "	24"

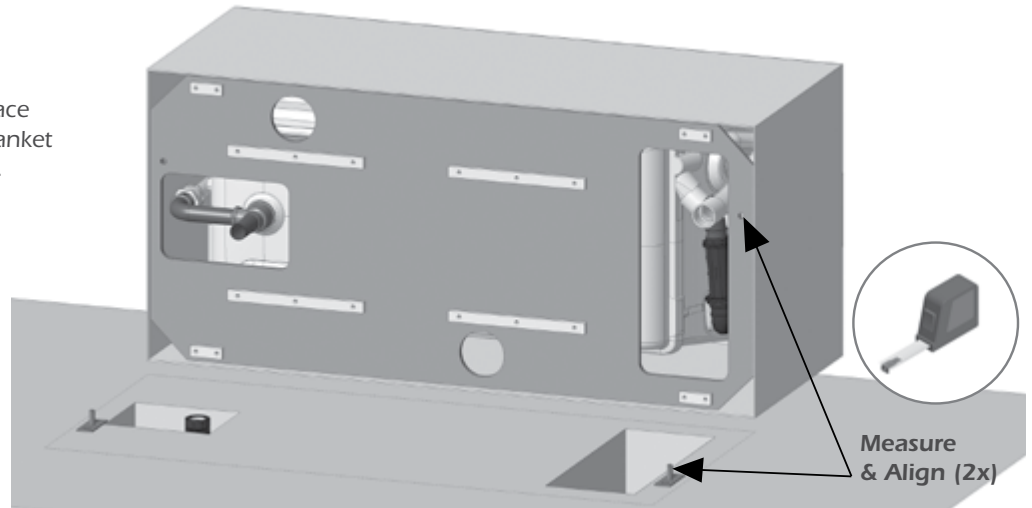
NOTE: Detailed plan is provided in the **Documentation / Installation User Guides** section of **Nokori bath models** on our Web site [bainultra.com](http://bainultra.com).

**TURBINE FACTORY INSTALLED WITH ACCESS UNDER BATH**

**1 PLUMBING**



**HELPFUL TIP:** Carefully place the tub on its side, on a blanket or a corrugated cardboard.



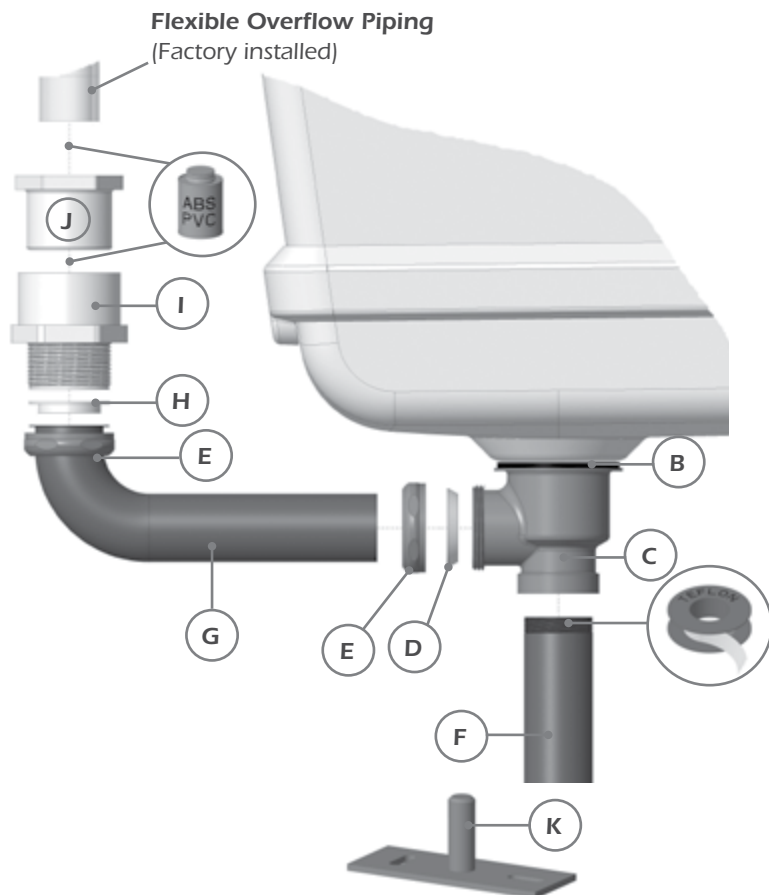
**A. STANDARD PARTS - PLUMBING**

	DESCRIPTION	QTY
A	Plated drain clicker	1
B	Rubber seal	1
C	Brass drain shoe	1
D	Nylon conic shaped seal for drain	1
E	Brass nut	2
F	4 in. brass tailpiece	1
G	Brass overflow to drain pipe	1
H	Nylon flat seal with flange	1
I	1-1/2 in. male threaded adaptor	1
J	1-1/2 overflow male-to-male connector	1
K	Floor anchor	2



**WARNINGS**

- If necessary adjust length of the flexible overflow piping connected to the overflow.
- Adjust length on the straight part of the brass overflow pipe (G) to fit with the drain position that varies with different bath models.



**TURBINE FACTORY INSTALLED WITH ACCESS UNDER BATH**

**2 AIR VENT OPENING** (See page 4)

**OPTIONAL PART – THERMOMASSEUR®**

Air vent



**! WARNING**

- AN AIR VENT OF A MINIMUM OF 8 SQUARE INCHES IS REQUIRED TO HAVE AIR ENTRY AND GOOD VENTILATION FOR THE TURBINE. SINCE THE TURBINE IS MOUNTED ON THE BATH, YOU MUST MAKE AN OPENING ON ONE SIDE OF THE BATH.

**TOOLS REQUIRED**

- Silicone
- Drill
- Jig saw with fine cut blade



**💡 HELPFUL TIP:**

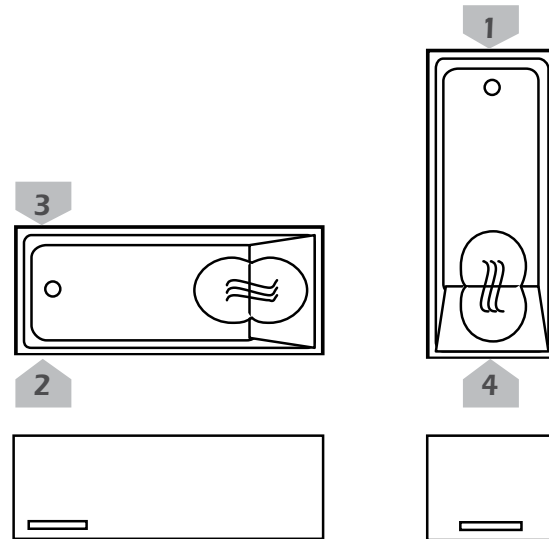
- IF INSTALLATION IS FOR TURBINE FACTORY INSTALLED WITH PIPING ABOVE FLOOR AND NO ACCESS UNDER BATH, THE AIR VENT CAN BE USED FOR GEYSAIR HOSE AND ELECTRICAL WIRES.

**TURBINE FACTORY INSTALLED WITH ACCESS UNDER BATH**

**2 AIR VENT OPENING - POSSIBLE LOCATIONS**

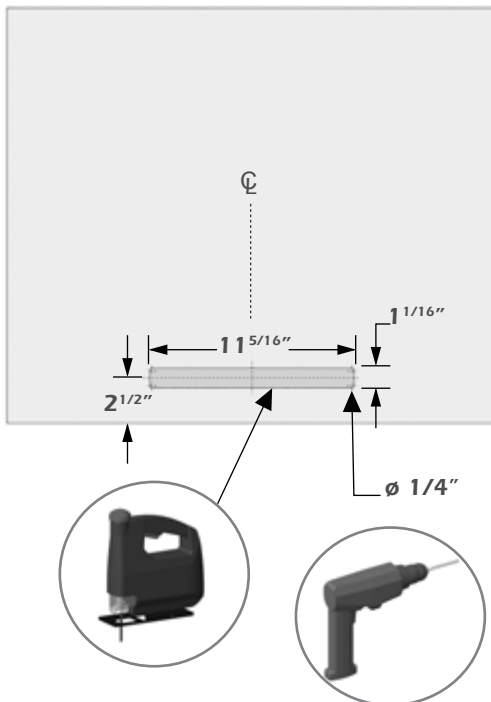
**OPENINGS - POSSIBLE LOCATIONS**

1	OPPOSITE SIDE OF BACKREST
2	LEFT HAND SIDE
3	RIGHT HAND SIDE
4	SIDE OF BACKREST

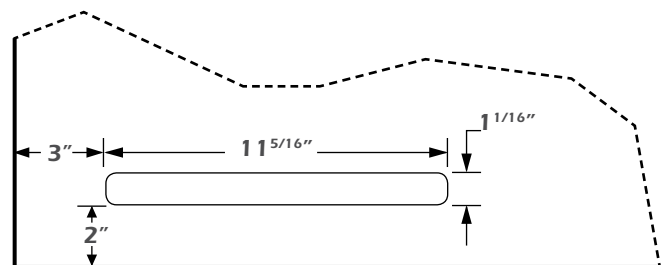


**2 AIR VENT OPENING - CUTTING TEMPLATE OF WALL OF BATH**

LOCATION #1 & 4 - DETAIL



LOCATION #2 - DETAIL  
(LOCATION #3 INVERTED)

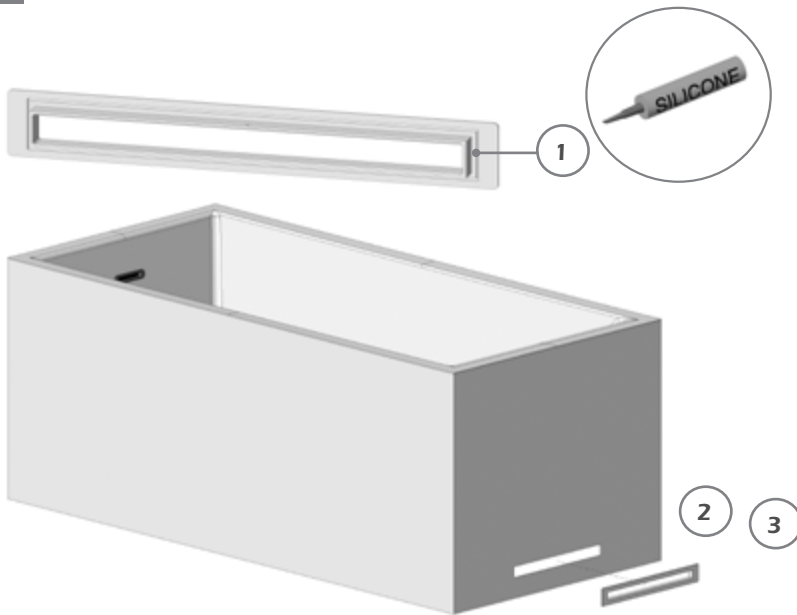


**! WARNING**

▪ A FULL SCALE CUTTING TEMPLATE IS AVAILABLE at PAGE 48 OF THIS MANUAL.

**TURBINE FACTORY INSTALLED WITH ACCESS UNDER BATH**

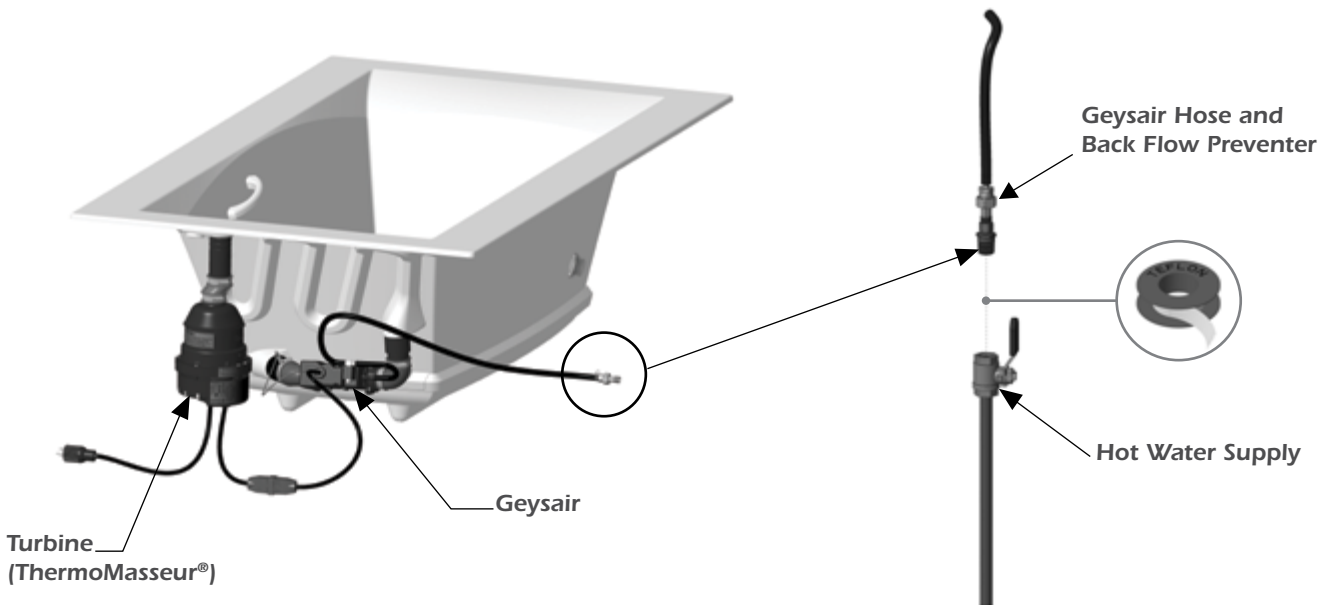
**2 AIR VENT OPENING - INSTALLATION**



**STEPS**

- 1 Apply a bead of silicone all around the backside of the air vent.
- 2 Place the air vent directly over opening on bath and apply pressure against the air vent to spread the silicone evenly.
- 3 Adjust and level the air vent in place and secure temporarily with a tape for about 24h.

**3 ELECTRICAL WIRING OF TURBINE AND GEYSAIR® (THERMOMASSEUR®)**



**! WARNINGS**

- Access to Geysair® backflow preventer is necessary for cleaning of the filter.
- **Geysair component cannot be remote mounted. It must stay at original position, attached to bath. Must never be unplugged.**

**TURBINE FACTORY INSTALLED WITH ACCESS UNDER BATH**

**4 ELECTRONIC CONTROL INSTALLATION - MIAPLUS® & MIAMULTI® (OPTIONAL) LOCATION**

**LOCATION:** Determine the most convenient location, on the wall close to tub. Peel off the protective film of sticker behind the control. You can add a silicone bead to secure to the wall.

**! WARNINGS**

- Baths from Nokori® collection cannot be drilled for faucet installation. Faucets must be freestanding or wall-mounted model
- **DRILLING OF WALL:** Refer to the **Cutting Template on page 48** for the location and diameter of the holes.

**TOOLS REQUIRED**

- Jig saw with fine cut blade
- Drill
- 1/4 in. drill bit

**TOUCH PAD INSTALLATION**

- Push wiring through drilled holes.
- Remove protective film from watertight seal.
- Secure to the wall with permanent waterproof sealant (mold-free clear silicone for bathrooms).
- Secure temporarily with a tape for about 24 h.



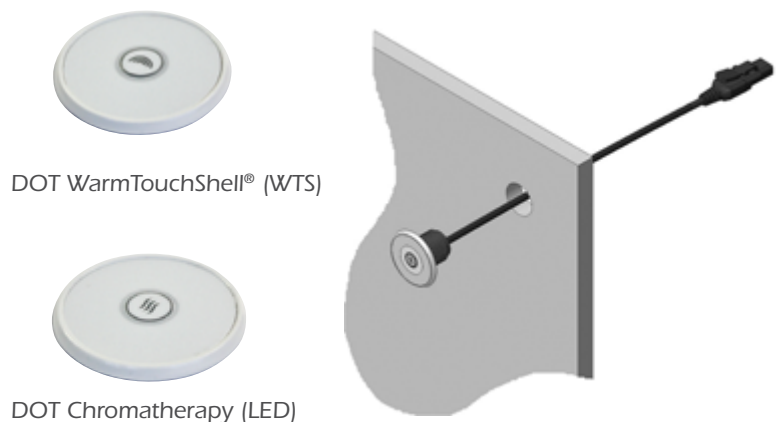
**4 ELECTRONIC CONTROL INSTALLATION - DOT**

**TOOLS REQUIRED**

- 7/8 in. Hole saw
- Drill

**TOUCH PAD INSTALLATION**

- Push wiring through drilled holes.
- Remove protective film from watertight seal.
- Secure to the wall with permanent waterproof sealant (mold-free clear silicone for bathrooms).
- Secure temporarily with a tape for about 24 h.

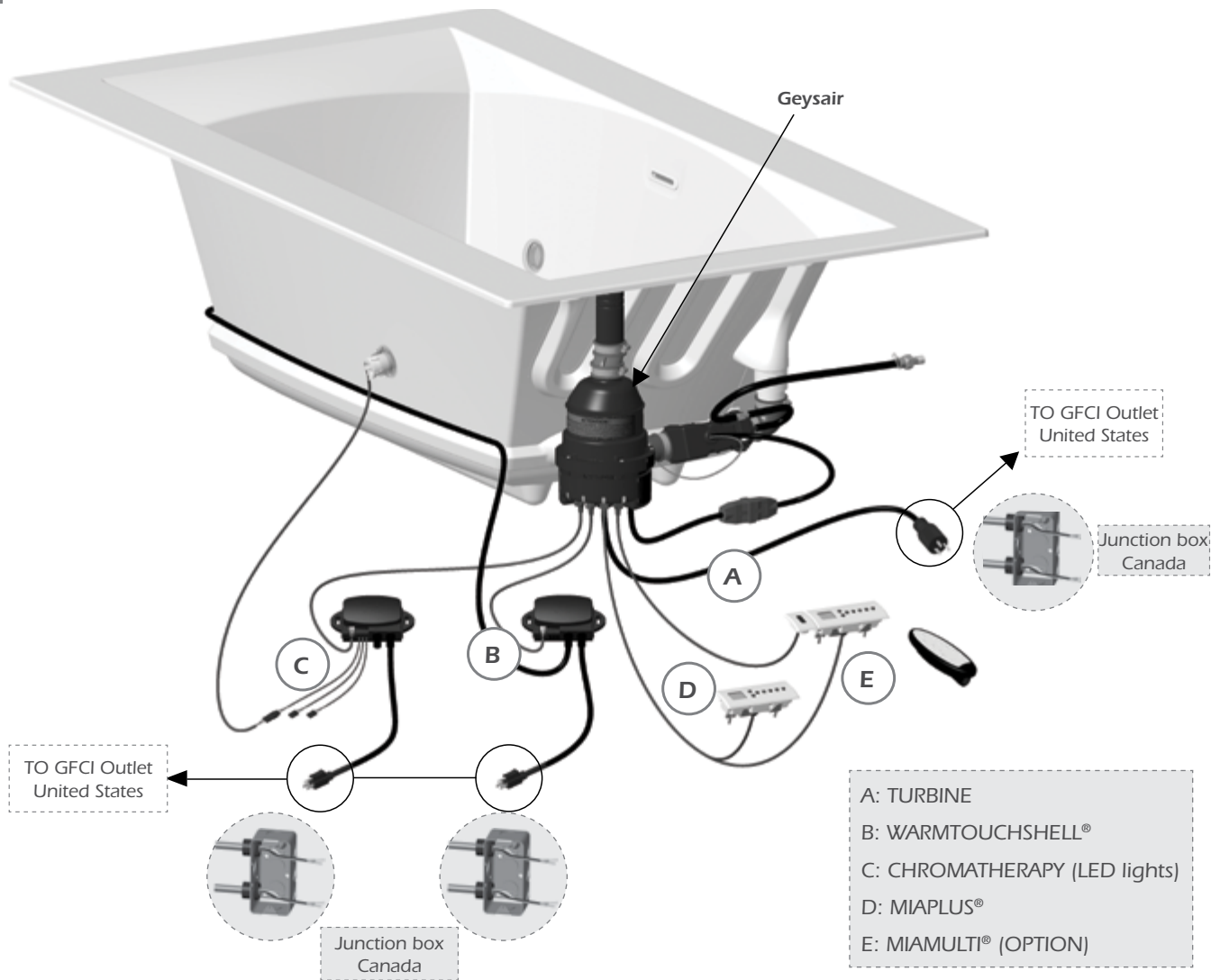


**! WARNING**

- If the control is not factory installed, you will find it attached to the turbine, or to the electronic control modules.

**TURBINE FACTORY INSTALLED WITH ACCESS UNDER BATH**

**5 TURBINE FACTORY INSTALLED – ELECTRICAL CONNECTIONS (THERMOMASSEUR®)**



**ELECTRICAL DIAGRAM – THERMOMASSEUR ..... 17**

**ELECTRICAL DIAGRAM – THERAPIES ..... 18**

**! WARNINGS**

- Electrical outlet must be installed by a certified electrician.
- Installation must be conducted in accordance with all local, provincial/state, and federal building/electrical codes and regulation.
- Connect electrical supply only after all low voltage wiring is properly installed on turbine.
- If you did not follow this last step, shut off and then restart your home's circuit breaker.
- Turbine and air pipe should be clear of building materials and wiring (See page 15 for electrical diagram).



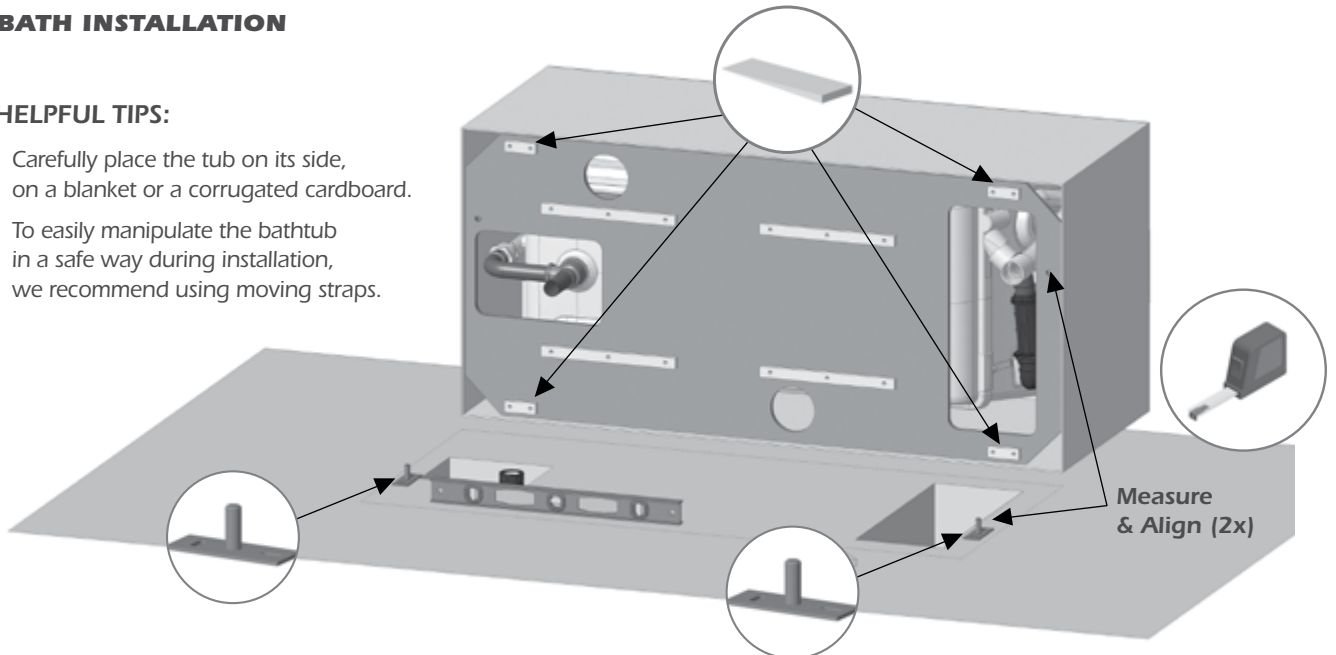
**TURBINE FACTORY INSTALLED WITH ACCESS UNDER BATH**

**6 BATH INSTALLATION**



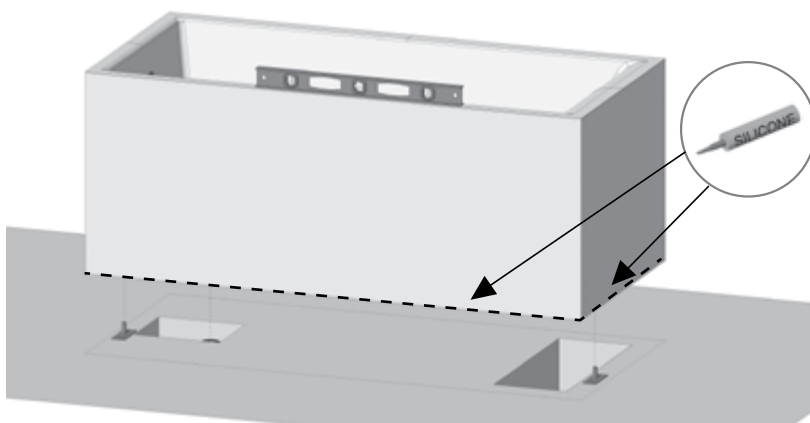
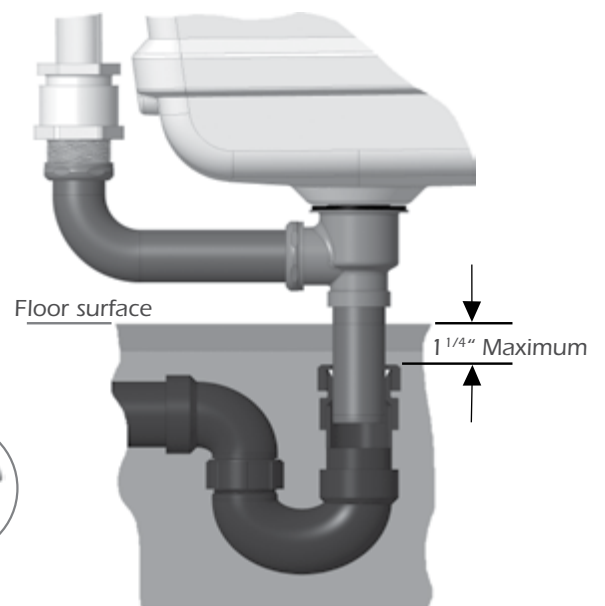
**HELPFUL TIPS:**

- Carefully place the tub on its side, on a blanket or a corrugated cardboard.
- To easily manipulate the bathtub in a safe way during installation, we recommend using moving straps.



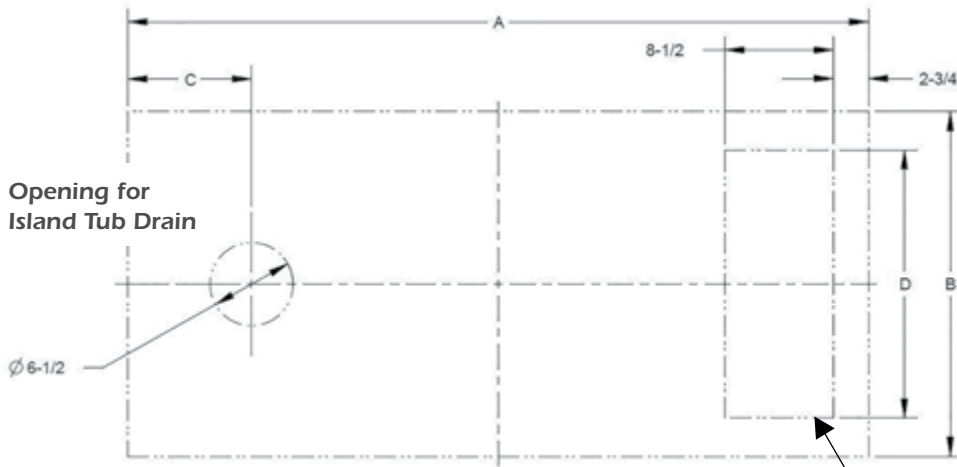
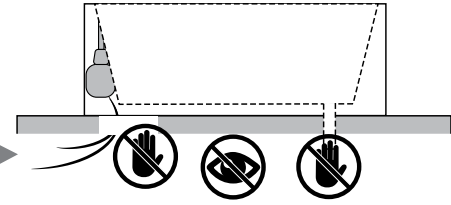
**WARNINGS**

- Be sure the floor is leveled. Use shims as needed.
- Do not remove the protective plastic film on the tub and place a drop-cloth in the tub during installation to protect the acrylic.
- The tub must be securely anchored to floor.
- Apply a bead of silicone around the perimeter of the bath once on the floor.



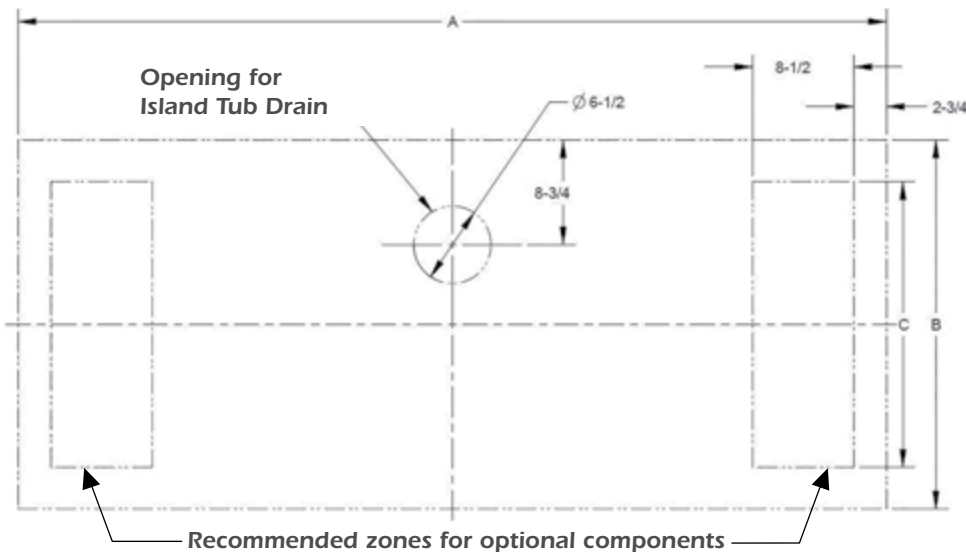
**TURBINE FACTORY INSTALLED  
WIRING UNDER FLOOR & NO ACCESS UNDER BATH**

**1 PLUMBING - FLOOR LAYOUT FOR PIPES AND ACCESS**



DIMENSIONS (IN.)	A	B	C	D
NOKORI 5827	58"	27"	9 <sup>5</sup> / <sub>8</sub> "	21"
NOKORI 6331	63"	31"	10"	23"
NOKORI 6429	64"	29"	9 <sup>5</sup> / <sub>8</sub> "	23"

Recommended zone for optional components



DIMENSIONS (IN.)	A	B	C
NOKORI 6935	69"	35"	28"
NOKORI 7131	70-1/2"	31"	24"

Recommended zones for optional components

NOTE: Detailed plan is provided in the **Documentation / Installation User Guides** section of **Nokori bath models** on our Web site **bainultra.com**.

**TURBINE FACTORY INSTALLED  
WIRING UNDER FLOOR & NO ACCESS UNDER BATH**

**1 PLUMBING**

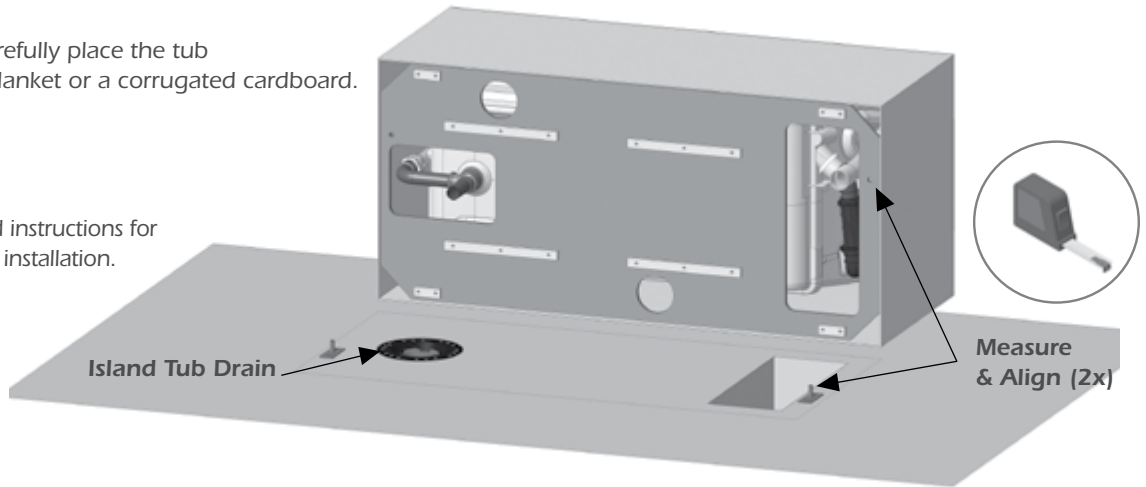


**HELPFUL TIP:** Carefully place the tub on its side, on a blanket or a corrugated cardboard.



**WARNING**

- Refer to supplied instructions for Island Tub Drain installation.



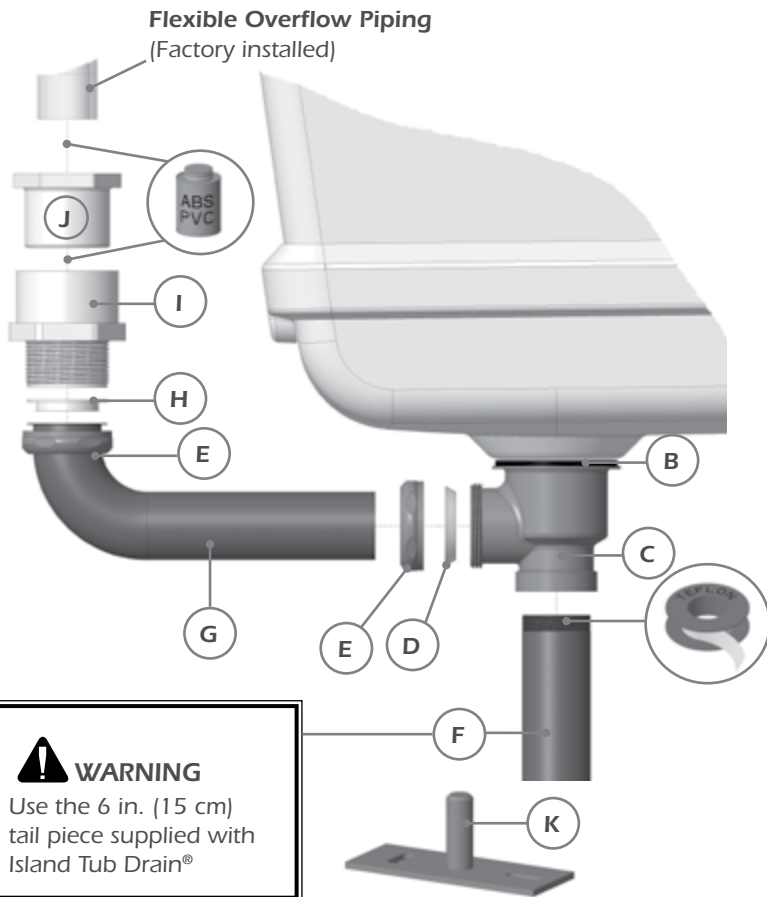
**A. STANDARD PARTS - PLUMBING**

	DESCRIPTION	QTY
A	Plated drain clicker	1
B	Rubber seal	1
C	Brass drain shoe	1
D	Nylon conic shaped seal for drain	1
E	Brass nut	2
F	4 in. brass tailpiece	1
G	Brass overflow to drain pipe	1
H	Nylon flat seal with flange	1
I	1-1/2 in. male threaded adaptor	1
J	1-1/2 overflow male-to-male connector	1
K	Floor anchor	2



**WARNINGS**

- If necessary adjust length of the flexible overflow piping connected to the overflow.
- Adjust length on the straight part of the brass overflow pipe (G) to fit with the drain position that varies with different bath models.



**TURBINE FACTORY INSTALLED  
WIRING UNDER FLOOR & NO ACCESS UNDER BATH**

FOR NEXT STEPS FOLLOW THE INSTRUCTIONS:

**TURBINE FACTORY INSTALLED WITH ACCESS UNDER BATH**

**2** AIR VENT OPENING ..... 34

**3** ELECTRICAL WIRING OF TURBINE AND GEYSAIR® (THERMOMASSEUR®) ..... 36

**4** ELECTRONIC CONTROL INSTALLATION – MIAPLUS® & MIAMULTI® (OPTIONAL) ..... 37

**4** ELECTRONIC CONTROL INSTALLATION – DOT ..... 37

**5** TURBINE FACTORY INSTALLED – ELECTRICAL CONNECTIONS (THERMOMASSEUR®) ..... 38

ELECTRICAL DIAGRAM – THERMOMASSEUR ..... 17

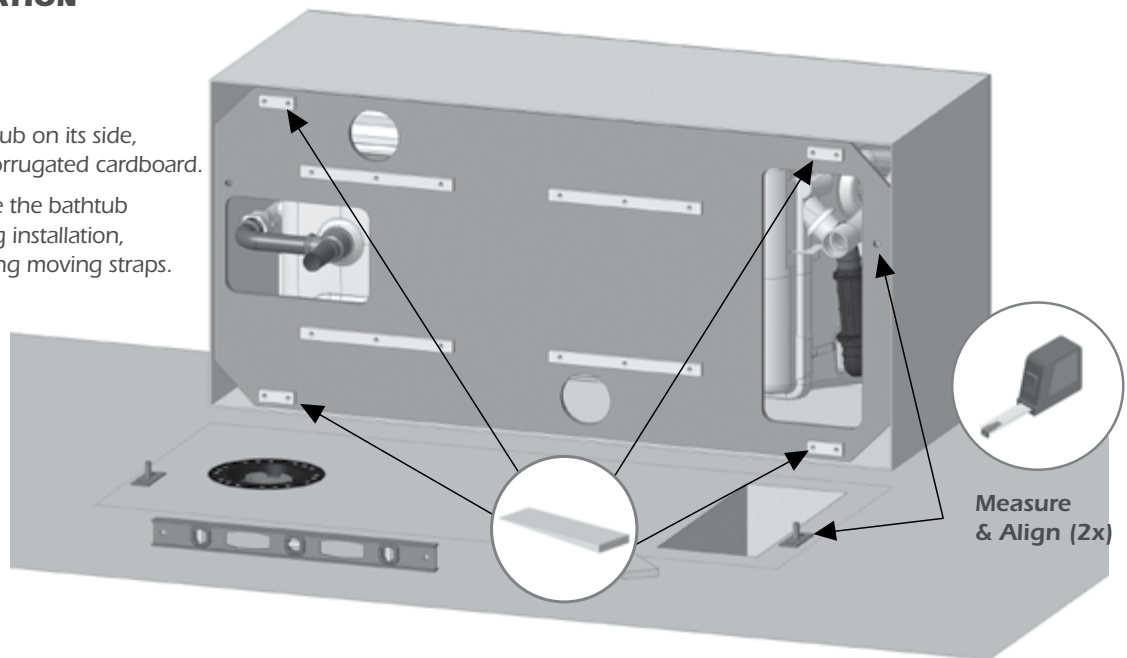
ELECTRICAL DIAGRAM – THERAPIES ..... 18

**6 BATH INSTALLATION**



**HELPFUL TIPS:**

- Carefully place the tub on its side, on a blanket or a corrugated cardboard.
- To easily manipulate the bathtub in a safe way during installation, we recommend using moving straps.



**! WARNINGS**

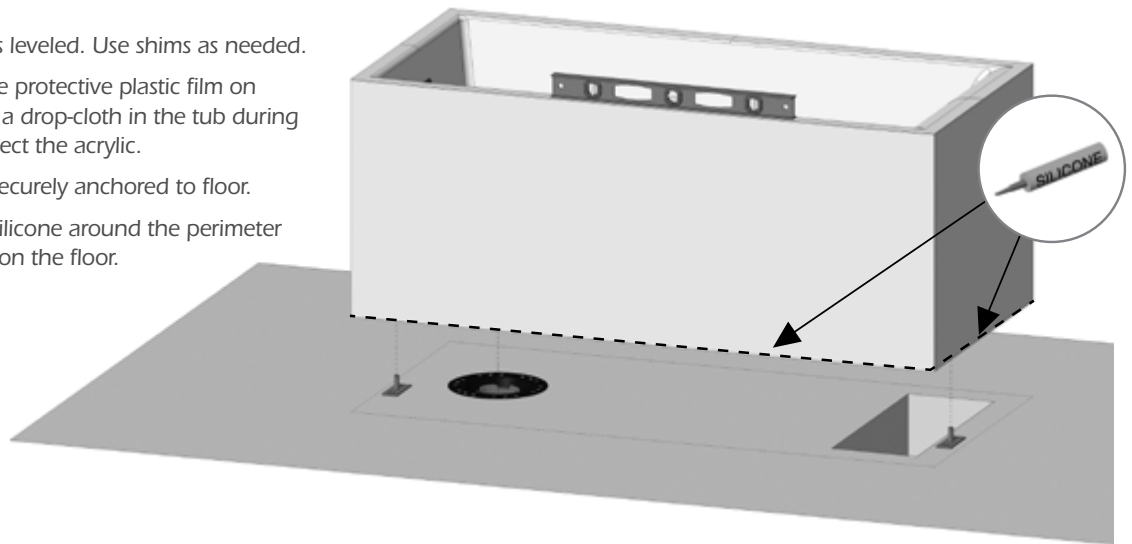
- Be sure the floor is leveled. Use shims as needed.
- Do not remove the protective plastic film on the tub and place a drop-cloth in the tub during installation to protect the acrylic.
- The tub must be securely anchored to floor.
- Apply a bead of silicone around the perimeter of the bath once on the floor.

**TURBINE FACTORY INSTALLED  
WIRING UNDER FLOOR & NO ACCESS UNDER BATH**

**6 BATH INSTALLATION**

**⚠ WARNINGS**

- Be sure the floor is leveled. Use shims as needed.
- Do not remove the protective plastic film on the tub and place a drop-cloth in the tub during installation to protect the acrylic.
- The tub must be securely anchored to floor.
- Apply a bead of silicone around the perimeter of the bath once on the floor.

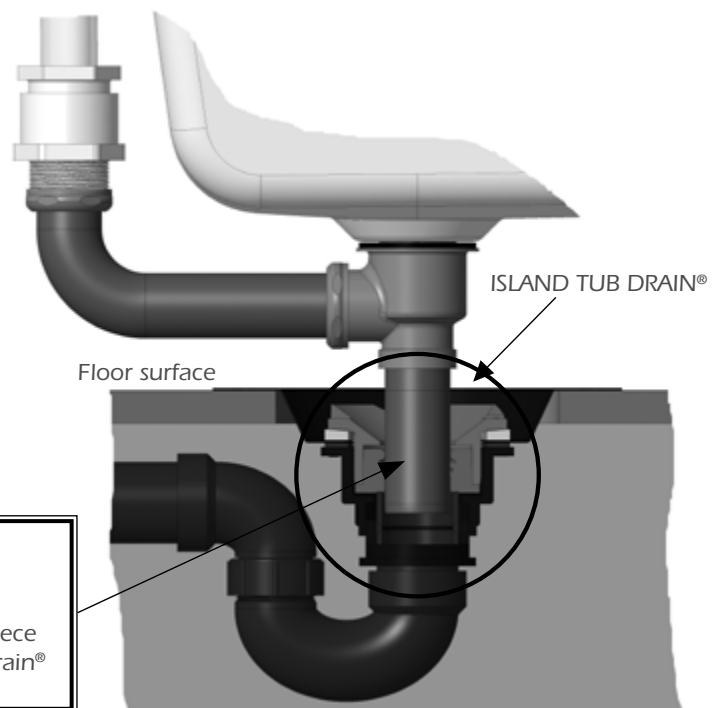


NOKORI - installation

**DRAIN CONNECTION WITH  
ISLAND TUB DRAIN® (ITD) - INFORMATION**

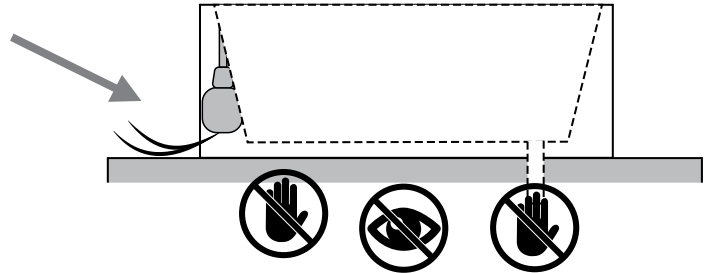
**⚠ WARNING**

- Refer to supplied instructions for ISLAND TUB DRAIN® installation.



**⚠ WARNING**  
Use the 6 in. (15 cm) tail piece supplied with Island Tub Drain®

**TURBINE FACTORY INSTALLED  
WIRING ABOVE FLOOR & NO ACCESS UNDER BATH**



FOR NEXT STEPS FOLLOW THE INSTRUCTIONS:  
**TURBINE FACTORY INSTALLED WITH WIRING UNDER FLOOR AND NO ACCESS UNDER BATH**

<b>1</b>	<b>PLUMBING – FLOOR LAYOUT FOR PIPES AND ACCESS.....</b>	<b>40</b>
<b>1</b>	<b>PLUMBING .....</b>	<b>41</b>
<b>2</b>	<b>AIR VENT OPENING .....</b>	<b>34</b>
<b>3</b>	<b>ELECTRICAL WIRING OF TURBINE AND GEYSAIR® (THERMOMASSEUR®)</b>	

**⚠ WARNING**

- IF THE POWER SUPPLY OF THERAPEUTIC OPTIONS MUST BE ABOVE THE FLOOR, YOU MIGHT HAVE TO MAKE AN ADDITIONAL OPENING ON ONE SIDE OF THE BATH, AS CLOSE AS POSSIBLE TO TURBINE AND CONTROLS.

**💡 HELPFUL TIP:**

- IF INSTALLATION IS FOR TURBINE FACTORY INSTALLED WITH WIRING ABOVE FLOOR AND NO POSSIBLE ACCESS UNDER BATH, THE AIR VENT OPENING CAN ALSO BE USED FOR PASSAGE OF GEYSAIR HOSE AND ELECTRICAL WIRES.

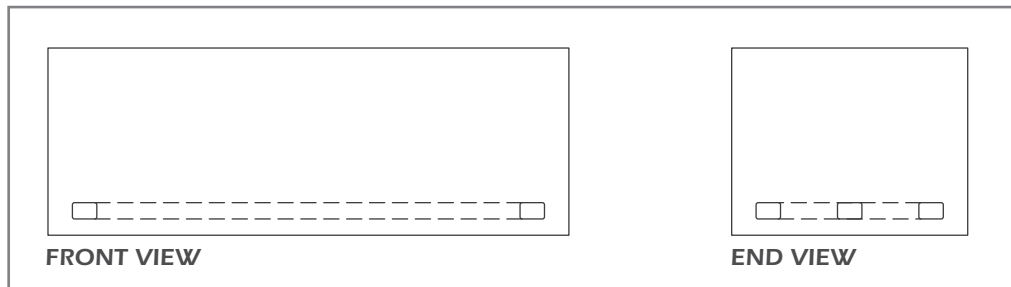
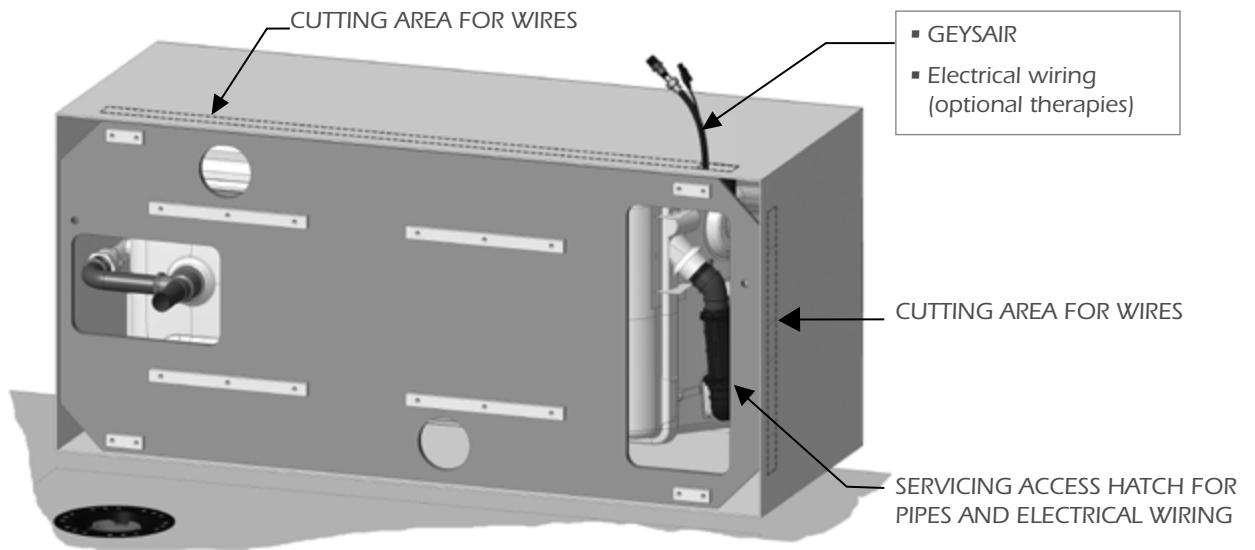


**TOOLS REQUIRED**

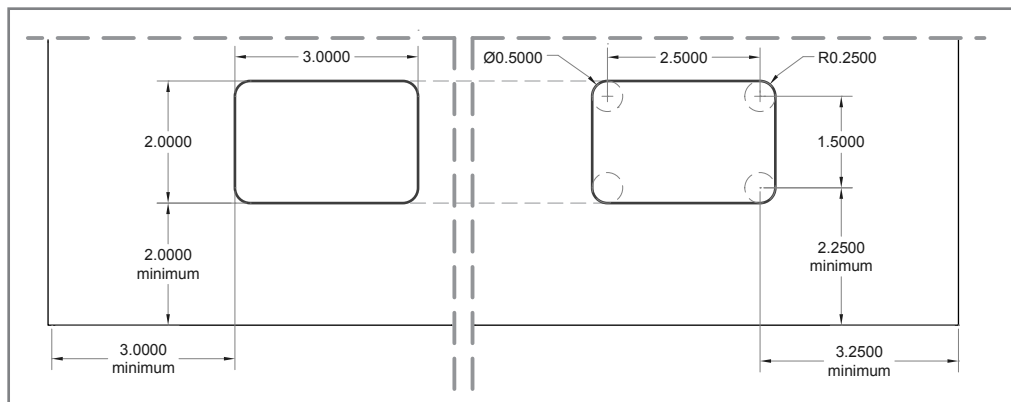
- Drill
- Jig saw with fine cut blade

**TURBINE FACTORY INSTALLED  
WIRING ABOVE FLOOR & NO ACCESS UNDER BATH**

**3 TURBINE & GEYSAIR INSTALLATION (FOR THERMOMASSEUR®)  
PASSAGE FOR THE ELECTRICAL WIRING OF OPTIONAL THERAPIES**



**CUTTING AREA FOR AIR PIPE AND WIRES**



**HOLE - LOCATION & MINIMUM DIMENSIONS**

NOKORI - installation

**TURBINE FACTORY INSTALLED  
WIRING ABOVE FLOOR & NO ACCESS UNDER BATH**

FOR NEXT STEPS FOLLOW THE INSTRUCTIONS:  
**TURBINE FACTORY INSTALLED WITH ACCESS UNDER BATH**

<b>4</b>	ELECTRONIC CONTROL INSTALLATION – MIAPLUS® & MIAMULT® (OPTIONAL) .....	37
<b>4</b>	ELECTRONIC CONTROL INSTALLATION – DOT .....	37
<b>5</b>	TURBINE MOUNTED ON BATH – ELECTRICAL CONNECTIONS (THERMOMASSEUR®).....	38
	ELECTRICAL DIAGRAM – THERMOMASSEUR .....	17
	ELECTRICAL DIAGRAM – THERAPIES .....	18

FOR NEXT STEPS FOLLOW THE INSTRUCTIONS:  
**TURBINE FACTORY INSTALLED WITH WIRING UNDER FLOOR AND NO ACCESS UNDER BATH**

<b>6</b>	BATH INSTALLATION .....	42
----------	-------------------------	----



## BATH INSTALLED AGAINST 1, 2, OR 3 WALLS

### TILE FLANGE

When installing the bath against one, two or three walls, a tile flange can be helpful to have the perfect finish to the installation. A tile flange, not factory installed, can be ordered with a Nokori® bath.

### INSTALLATION OF A TILE FLANGE

#### TOOLS REQUIRED

Miter box  
Finishing saw

#### INSTALLATION

- 1 Cut a 45° angle with the help of the miter box
- 2 Adjust the length at both ends and cut straight
- 3 Peel off the film of the double sided tape.
- 4 Set the tile flange on the edge of bath and square against the wall
- 5 Apply a waterproof sealant at the corners of the tile flange

