



EVANESCENCE® ADDENDUM to the **OWNER'S MANUAL**

IMPORTANT INFORMATION FOR THE INSTALLER
AND THE OWNER

INCLUDED: FREESTANDING EVANESCENCE BATHS INSTALLATION INSTRUCTIONS

 **BainUltra®**
The quest for your wellness®

IMPORTANT: TO BE KEPT FOR THE OWNER

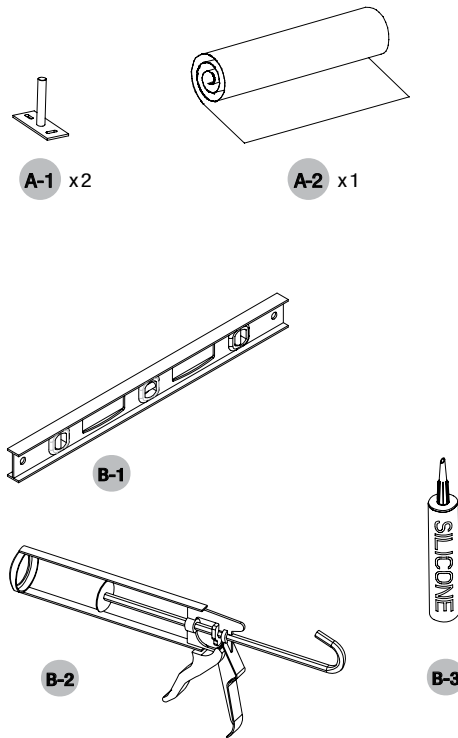
EVANESCENCE 6634 & EVANESCENCE OVAL 5936 & 6636 FREESTANDING
PARTS AND TOOLS

A. PARTS INCLUDED

A-1	Floor anchoring
A-2	Installation template

B. TOOLS REQUIRED

B-1	48-inch level
B-2	Caulking gun
B-3	Silicone



EVANESCENCE 6634 & EVANESCENCE OVAL 5936 & 6636 FREESTANDING
SITE PREPARATION

Evanesence Freestanding models require a 13" x 14" (33 cm X 36 cm) compartment for the drain, distance air inlet, and space for control cables and options. Refer to the installation template.

ACCESS AND AIR INLET

For these model, the turbine is not installed on the bathtub. Determine a location near the bathtub at a maximum distance of 15 feet or (4.6 metres) under the floor, in a cabinet or any other location to conceal the turbine and optional accessory casings. The location chosen must also be accessible and allow sufficient air intake for the turbine. (Refer to the **TURBINE-DISTANCE INSTALLATION** section of the **Owner's Manual**).

EVANESCENCE 6634 & EVANESCENCE OVAL 5936 & 6636 FREESTANDING
INSTALLATION

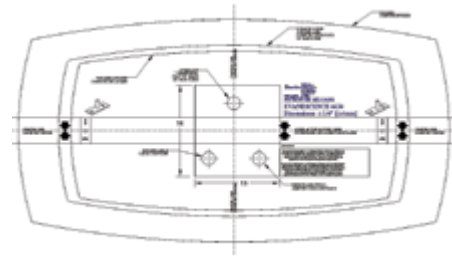
1. LOCATION

1-1	Place the installation template on the ground at the chosen location.
1-2	Align the position of the overflow drain with the floor drain and ensure that the compartment size corresponds to requirements.
1-3	Mark the location of the anchor point screws.
1-4	Remove the installation template and screw in the anchor points in the marked locations.

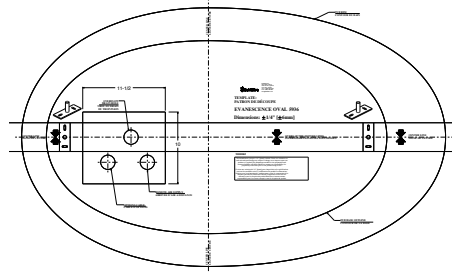
2. INSTALLATION OF BATH

2-1	Assemble the drain on the bathtub. Use the overflow assembly provided for the junction to the drain T-joint. Ensure watertightness. This operation is much easier to complete when the bathtub rests on its side. Place a cover or protective cardboard on the floor before positioning the bathtub on its side.
2-2	Apply a joint of silicone under the edge of the base of the bathtub.

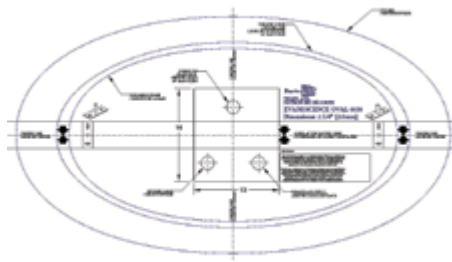
1-1



Evanesence 6634 Installation Template

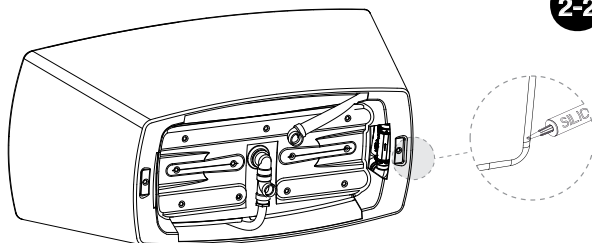


Evanesence Oval 5936 Installation Template



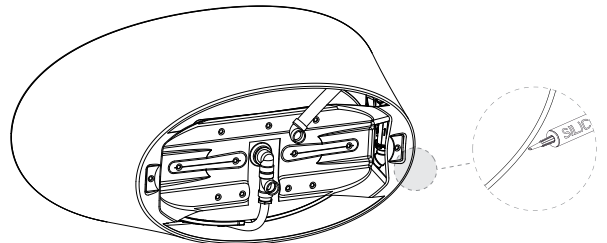
Evanesence Oval 6636 Installation Template

2-1



Evanesence 6634

2-2




Evanesence Oval 5936 & 6636

EVANESCENCE 6634 & EVANESCENCE OVAL 5936 & 6636 FREESTANDING
INSTALLATION

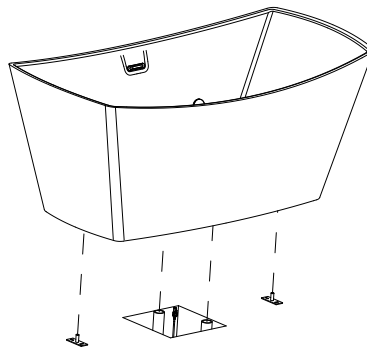
2. INSTALLATION OF BATH (Cont'd)

2-3 Install the bathtub on the anchor points fastened to the floor and immediately wipe away any excess silicone. Connect the drain.

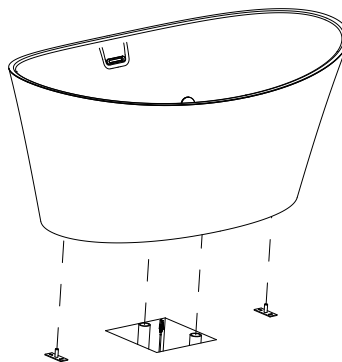
2-4 Install the turbine according to the instructions in the TURBINE – DISTANCE INSTALLATION section of the manual. The air inlet is located to the right of the bathtub drain and, if applicable, control and option connection cables to the right. Connect control and option cables if applicable. **For Geysair-equipped baths**, also run the water hose and electrical wiring through the floor.

2-5 **For Geysair-equipped baths**, connect the Geysair electrical wire supplied with the male connector with the turbine cable equipped with the female connector. **Test for grounding continuity between the bath grounding terminal**  and the bath power supply. **Failure to perform the grounding continuity test could result in serious personal injury.**

2-3

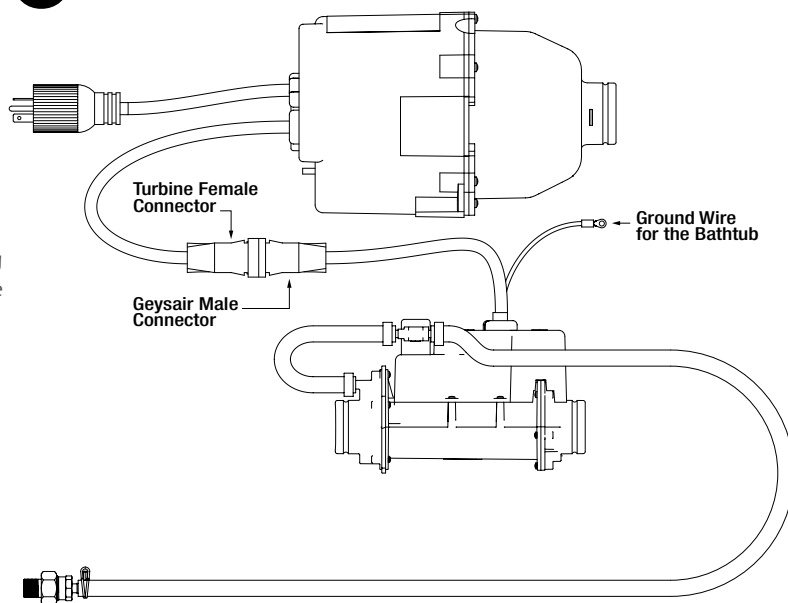


Evanesence 6634



Evanesence Oval 5936 & 6636

2-5



NOTES

- To install the Evanesence Freestanding on a concrete slab with no place for the passage of the air inlet pipe to the bathtub: drill a hole 1 5/8 inches in diameter in the skirt. **IMPORTANT:** drill the hole 1 1/2 inches above floor level and protect the bathtub with a piece of wood placed behind the location to be drilled.