

# AMMA 7236

72" x 36" x 21"

Amma takes its origin in the word "massage" as represented by two Chinese characters, AN and MO, meaning "calm through touch."



## PRODUCT NO.

MODEL	TMU	TUB
	BAMSRB00T-XX	BAMSRB00N-XX

THERMOMASSEUR (TMU)	
Hydro-thermo massage • Air jet system	\$
Jets	54
2 heated backrests & headrests*	Included
MiaPlus® Control	Included
BU-Touch Control Application <b>BUTOUCH</b>	\$
Geysair®	Included
AromaCloud®*** <b>BAROMAC</b>	\$
Illuzio Chromatherapy <b>BCHRO6</b>	\$

TUB Soaker	
AromaCloud®*** <b>BAROMAC</b>	\$
Illuzio Chromatherapy <b>BCHRO6</b>	\$
WarmTouchShell® <b>BWTS</b>	\$
DOT control	Included with therapy
2 <sup>nd</sup> WarmTouchShell® <b>BWTS2</b>	\$

## FEATURES

Installation type	Drop-in & Alcove (3 walls)		
No. of bathers	2	Inverted V	2
US gallons	50	Armrests	4
Imp. gallons	41	Grab bars (color match)	2
Raised seats	2		

## STANDARD COLOR

		Included
White 01	Biscuit 02	

## OPTIONS (UPCHARGE APPLICABLE)

SKIRT	MULTIFIT <b>BSMUL-XX</b>	SJ-1 <b>BSJ1-XX</b>
White 01, Biscuit 02	\$	\$
<b>CLEAR ACRYLIC GRAB BARS <b>BGBG10-XX</b></b>		
With Chrome 07 or Brushed Nickel 09 inserts		\$
<b>WASTE &amp; OVERFLOW</b>		
	<b>16" x 35" <b>BOVER16-XX</b></b>	<b>INTE-GRATED <b>BOVERIN-XX</b></b>
Chrome 07	\$	\$
White 01, Biscuit 02	\$	\$
Brushed Nickel 09, Polished Nickel 10	\$	\$
Oil-rubbed Bronze 11	\$	N/A
Matte Black 19, Satin Brass 18	N/A	\$
<b>TILE FLANGE (specify front or back)</b>		
Ordered with bath (not installed) <b>BTILEN</b>		\$
Factory-installed. Front <b>BTILEF</b> , Back <b>BTILEB</b> , Special installation <b>BTILEO</b>		\$
<b>IF REQUIRED BY CONSTRUCTION CODE</b>		
Brass waste & overflow kit*** <b>BDRCOB</b>		\$
Brass waste kit*** <b>BDRCB</b>		\$
16" x 35" Cable driven brass waste & overflow kit <b>BOVERBR-XX</b>		\$



\* Independently controlled.

\*\* The AromaCloud® is built into the deck (factory installed).

\*\*\* When ordered with integrated waste & overflow.

**TOTAL PRICE** \$



## AMMA 7236



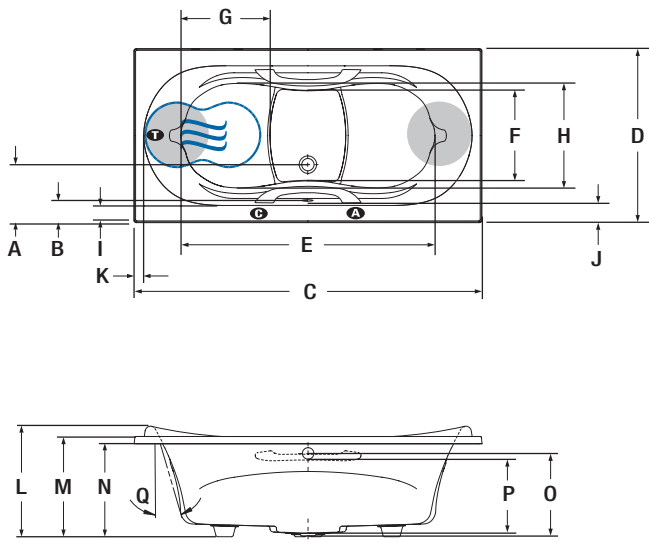
Grab bar (included)



The Akaša Bath Pillow (sold separately)

### INSTALLATION

- A** When tile flange is added, the AromaCloud® will automatically be installed on the opposite side of the flange.



LETTER	DESCRIPTION	MEASURE
A	Outside edge to center drain	12"
B	Outside edge to overflow	4 1/4"
C	Total length	72"
D	Total width	36"
E	Bathing well length	52 1/2"
F	Bathing well width at center zone	18 3/4"
G	Raised seat length	18 1/2"
H	Raised seat width	21 3/4"
I	Deck width (narrowest point)	3 1/8"
J	Deck width (widest point)	4"
K	Deck width at backrest end end	2"
L	Total height to headrest	23 1/8"
M	Height from bottom of bath to top deck	21"
N	Height from bottom of bath to bottom of deck	19 1/2"
O	Height from drain to center of overflow	17"
P	Maximum water level	15 1/4"
Q	Slope of backrests	17°

- A** AromaCloud® position  
**C** Control position when factory-installed (Mia® or DOT)  
**T** Turbine position (TMU)  
 ● Indicates heated backrest (TMU)  
 Indicates WarmTouchShell® position (TUB)

### TECHNICAL SPECIFICATIONS

<b>Hot water supply required</b>	Should be 70% of water capacity of TUB or greater.
<b>Turbine</b>	Access to the pump must be at least 18" x 22". <b>Standard connection is two (2) dedicated breakers: One is 20A, 120 V, 60 Hz, and the other 15A, 120 V, 60 Hz</b> , dedicated lines with a GFCI. Air vent necessary: 2" x 4" minimum.
<b>Others</b>	- The GEYSAIR must always be accessible and connected to the hot water supply (provide access). - Optional tile flange (specify front or back).

Our products must be installed by certified professionals only and according to our Owner's Manual as well as federal, provincial/state and local building codes and regulations ([www.bainultra.com/documentation/documentation](http://www.bainultra.com/documentation/documentation)).

<b>Approx. shipping weight</b>	158 lbs
<b>Turbine power</b>	550 W
<b>Air heater</b>	600 W
<b>WARRANTY</b>	
Controls-LED-Geysair*	5 years
Bath & turbine*	20 years

\* Some restrictions apply | [www.bainultra.com/warranty](http://www.bainultra.com/warranty)



The specifications shown indicate the outer edge dimension and the inside bathing capacity dimension measured at air jets' height. The manufacturer accepts a 1/4" [0.64 cm] variance. There are variations on each product and specifications are subject to change as we improve upon our product as required. The dimensions needed for site preparation and structure building will differ. BainUltra® assumes no responsibility for preparatory work done prior to the product being on site.