

EVANESCENCE 5936

59" x 36" x 28" (FREESTANDING)

Evanescence means "state of transformation." The collection is an invitation to turn your relaxation space into a sanctuary of luxury and wellness.



PRODUCT NO.

| MODEL | TMU | TUB |
|--------------|--------------|--------------|
| Freestanding | BEVFOF00T-XX | BEVFOF00N-XX |

| THERMOMASSEUR (TMU) | |
|---------------------------------------|----------|
| Hydro-thermo massage • Air jet system | \$ |
| Jets | 35 |
| 1 heated backrest & headrest | Included |
| MiaPlus® Control* | Included |
| BU-Touch Control Application | Included |
| Geysair® | Included |
| AromaCloud® | N/A |
| Illuzio Chromatherapy BCHRO6 | \$ |

| TUB | |
|------------------------------|-----------------------|
| Soaker | \$ |
| AromaCloud® | N/A |
| Illuzio Chromatherapy BCHRO6 | \$ |
| WarmTouchShell® BWTS | \$ |
| DOT control | Included with therapy |

FEATURES

| | | | |
|-------------------|--------------|-----------------|----|
| Installation type | Freestanding | | |
| No. of bathers | 49 | Imp. gallons | 41 |
| US gallons | 49 | Raised headrest | 1 |

INTEGRATED WASTE & OVERFLOW BOVERINI-XX

| | |
|--|----------------------|
| White 01, Chrome 07, Brushed Nickel 09, Polished Nickel 10 | Installed & Included |
|--|----------------------|

STANDARD COLOR

| | |
|--|----------|
|  White 01 | Included |
|--|----------|

OPTIONS (UPCHARGE APPLICABLE)

COLOR

| | |
|--|----|
|  Black / White 66 | \$ |
|--|----|

FINISH

| | |
|--|----|
| UltraVelour Matte Finish (White only) BVEL | \$ |
|--|----|

INTEGRATED WASTE & OVERFLOW BOVERINI-XX

| | |
|--------------------------------|----|
| Matte Black 19, Satin Brass 18 | \$ |
|--------------------------------|----|

ISLAND TUB DRAIN™**

| | |
|--------------------------------------|----|
| Island Tub Drain™ BISLDD | \$ |
| Cast Iron Island Tub Drain™ BISLDDCI | \$ |

IF REQUIRED BY CONSTRUCTION CODE

| | |
|-----------------------------------|----|
| Brass waste & overflow kit BDRCOB | \$ |
| Brass waste kit BDRCB | \$ |



Don't forget to specify the **finish of the integrated waste & overflow.**

* For TMU, control must be wall-mounted. Faucets must be freestanding or wall-mounted.

** An Island Tub Drain™ is required when there is **no access under the bath.**

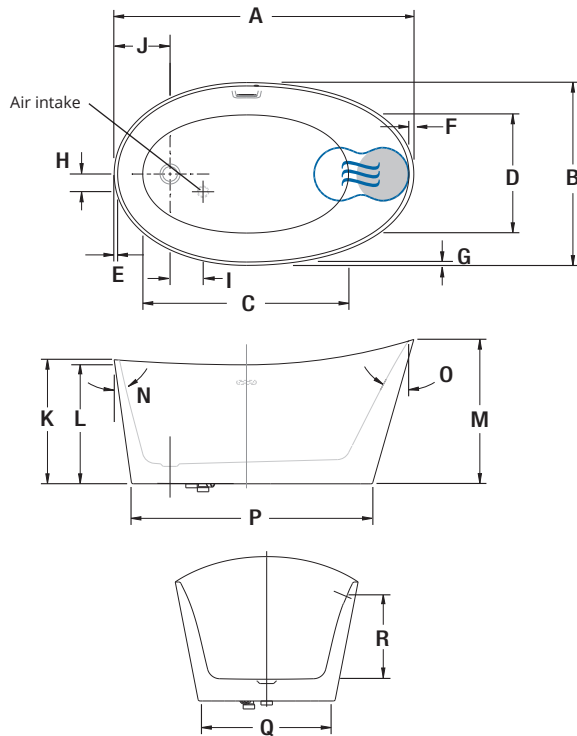
| | |
|--------------------|----|
| TOTAL PRICE | \$ |
|--------------------|----|



EVANESCENCE 5936 (FREESTANDING)



INSTALLATION



| LETTER | DESCRIPTION | MEASURE |
|--------|---|---------|
| A | Total length | 59" |
| B | Total width | 36" |
| C | Bathing well length | 41 1/2" |
| D | Bathing well width | 23 7/8" |
| E | Deck width at drain end | 1" |
| F | Deck width at headrest | 1 1/8" |
| G | Deck width | 1 1/8" |
| H | Center bath drain to air intake | 3 1/2" |
| I | Center bath drain to air intake | 6 1/2" |
| J | Outside edge to center bath drain | 11" |
| K | Total height | 24 1/2" |
| L | Minimum height of bath | 23 1/2" |
| M | Total height to headrest | 28 1/2" |
| N | Slope at drain end | 12° |
| O | Slope of backrest | 31° |
| P | Base length | 47 3/8" |
| Q | Base width | 26 7/8" |
| R | Height from drain to center of overflow | 16" |

- Indicates heated backrest (TMU)
- ☞ Indicates WarmTouchShell® position (TUB)

TECHNICAL SPECIFICATIONS

| | |
|----------------------------------|--|
| Hot water supply required | Should be 70% of water capacity of TUB or greater. |
| Turbine | Access to the pump must be at least 18" x 22". Standard connection is 20 A, 120 V, 60 Hz , dedicated line with a Ground-Fault Circuit Interrupter (GFCI). For any additional option, a second line is needed 15 A, 120 V, 60 Hz , dedicated line with a GFCI. Air vent necessary: 2" x 4" minimum. |
| Others | <ul style="list-style-type: none"> - The GEYSAIR must always be accessible and connected to the hot water supply (provide access). - Faucet must be freestanding or wall-mounted. - The turbine must be remotely installed. - Controls cannot be installed on the bath. |

Our products must be installed by certified professionals only and according to our Owner's Manual as well as federal, provincial/state and local building codes and regulations (www.bainultra.com/documentation/documentation).

| | |
|--------------------------------|------------|
| Cutting template | # 90000069 |
| Approx. shipping weight | 220 lbs |
| Turbine power | 550 W |
| Air heater | 600 W |
| WARRANTY | |
| Controls-LED-Geysair* | 5 years |
| Bath & turbine* | 20 years |

* Some restrictions apply | www.bainultra.com/warranty



The specifications shown indicate the outer edge dimension and the inside bathing capacity dimension measured at air jets' height. The manufacturer accepts a 1/4" [0.64 cm] variance. There are variations on each product and specifications are subject to change as we improve upon our product as required. The dimensions needed for site preparation and structure building will differ. BainUltra® assumes no responsibility for preparatory work done prior to the product being on site.