

INUA 6636

66" x 36" x 23"

In Inuit spirituality Inua means "everything that lives." INUA is the universal soul that unites all things in nature.



Standard 1 1/2" deck

PRODUCT NO.

MODEL	TMU	TUB
Standard 1 1/2" deck	BINLRD00T-XX	BINLRD00N-XX
Slim deck 1/2"	BINLRD10T-XX	BINLRD10N-XX

THERMOMASSEUR (TMU)	
Hydro-thermo massage • Air jet system	\$
Jets	50
1 heated backrest	Included
MiaPlus® Control	Included
BU-Touch Control Application BUTOUCH	\$
Geysair®	Included
AromaCloud® BAROMAC	\$
Illuzio Chromatherapy BCHRO6	\$

TUB	
Soaker	\$
AromaCloud® BAROMAC	\$
Illuzio Chromatherapy BCHRO6	\$
WarmTouchShell® BWTS	\$
DOT control	Included with therapy

FEATURES

Installation type		Drop-in
No. of bathers	▼	Inverted V
US gallons	62	Armrests
Imp. gallons	51	Grab bars (color match)
Raised seats	1	Comfort Cushion (specify color: Grey or Black)

STANDARD COLOR

 	Included
White 01 Biscuit 02	

OPTIONS (UPCHARGE APPLICABLE)

FINISH

UltraVelour Matte Finish (White only) BVEL	\$
---	----

WASTE & OVERFLOW

	16" x 35" BOVER16-XX	INTE-GRATED BOVERIN-XX
Chrome 07	\$	\$
White 01 , Biscuit 02	\$	\$
Brushed Nickel 09 , Polished Nickel 10	\$	\$
Oil-rubbed Bronze 11	\$	N/A
Matte Black 19 , Satin Brass 18	N/A	\$

CLEAR ACRYLIC GRAB BARS **BGBG10-XX**

With Chrome 07 or Brushed Nickel 09 inserts	\$
---	----

IF REQUIRED BY CONSTRUCTION CODE

Brass waste & overflow kit* BDRCOB	\$
Brass waste kit* BDRCB	\$
16" x 35" Cable driven brass waste & overflow kit BOVERBR-XX	\$



Don't forget to specify the deck height (1/2" or 1 1/2").
* When ordered with integrated waste & overflow.

TOTAL PRICE \$



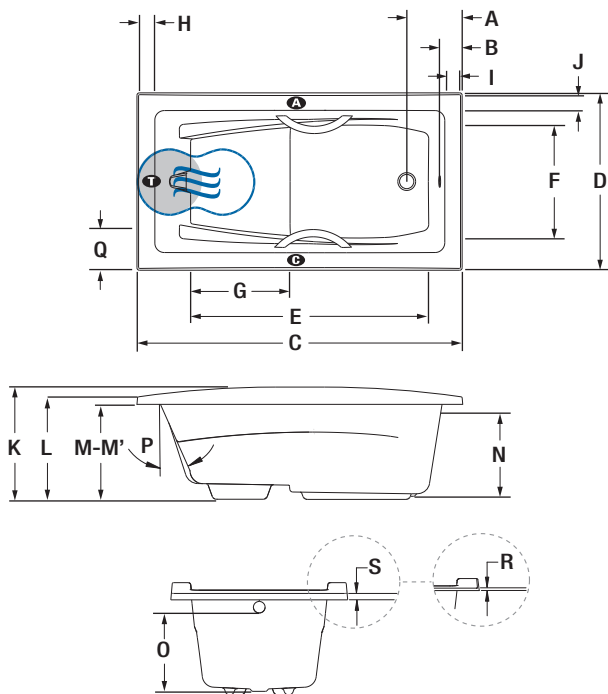
INUA 6636



Comfort Cushion (included)

INSTALLATION

A With the AromaCloud®, you must choose to install the control or the faucet on opposite side.



LETTER	DESCRIPTION	MEASURE
A	Outside edge to center drain	11 1/4"
B	Outside edge to overflow	4 1/2"
C	Total length	66"
D	Total width	36"
E	Bathing well length	48 1/8"
F	Bathing well width at center zone	22 7/8"
G	Raised seat length	20 1/8"
H	Deck width at backrest end	4 1/8"
I	Deck width at drain end	4 1/8"
J	Deck width	4"
K	Height from bottom of bath to top deck	23"
L	Total height to headrest	21"
M	Height from bottom of bath to bottom of standard deck	19 1/2"
M'	Height from bottom of bath to bottom of slim deck	20 1/2"
N	Height from drain to center of overflow	17 1/8"
O	Maximum water level	15 3/8"
P	Slope of backrest	24°
Q	Minimum spout reach	8"
R	Slim deck minimum height	1/2"
S	Standard deck minimum height	1 1/2"

- A** AromaCloud® position
- B** Control position when factory-installed (Mia® or DOT)
- T** Turbine position (TMU)
- Indicates heated backrest (TMU)
- ☄ Indicates WarmTouchShell® position (TUB)

TECHNICAL SPECIFICATIONS

Hot water supply required	Should be 70% of water capacity of TUB or greater.
Turbine	Access to the pump must be at least 18" x 22". Standard connection is 20 A, 120 V, 60 Hz, dedicated line with a Ground-Fault Circuit Interrupter (GFCI). For any additional option, a second line is needed 15 A, 120 V, 60 Hz, dedicated line with a GFCI. Air vent necessary: 2" x 4" minimum.
Therapeutic Comfort Cushion - INCLUDED	<ul style="list-style-type: none"> - Made of ultras resistant urethane gel - Extremely comfortable and soft to the touch - Fully waterproof - Remarkably durable - Color available: Grey + Black
Other	The GEYSAIR must always be accessible and connected to the hot water supply (provide access).

Our products must be installed by certified professionals only and according to our Owner's Manual as well as federal, provincial/state and local building codes and regulations (www.bainultra.com/documentation/documentation).

Approx. shipping weight	138 lbs
Turbine power	550 W
Air heater	600 W
WARRANTY	
Controls-LED-Geysair*	5 years
Bath & turbine*	20 years

* Some restrictions apply | www.bainultra.com/warranty



The specifications shown indicate the outer edge dimension and the inside bathing capacity dimension measured at air jets' height. The manufacturer accepts a 1/4" [0.64 cm] variance. There are variations on each product and specifications are subject to change as we improve upon our product as required. The dimensions needed for site preparation and structure building will differ. BainUltra® assumes no responsibility for preparatory work done prior to the product being on site.