

ELLIPSE 7240

72" x 40" x 21"

Named after the meridians of our body—the paths along which our energy flows—the collection also brings to mind the meridian (or mid-point) of life with an invitation to relax and listen to your body and mind.



Rolled deck

PRODUCT NO.

MODEL	TMU	TUB
Rolled deck	BMEUOUM0T-XX	BMEUOUM0N-XX
Flat deck	BMEUOUN0T-XX	BMEUOUN0N-XX

THERMOMASSEUR (TMU) Hydro-thermo massage • Air jet system	\$
Jets	40
1 heated backrest	Included
MiaPlus® Control	Included
BU-Touch Control Application BUTOUCH	\$
Geysair®	Included
AromaCloud®** BAROMAC	\$
Illuzio Chromatherapy BCHRO6	\$
2 nd heated backrest (WTS-1 zone) BSHB	\$

TUB Soaker	\$
AromaCloud®** BAROMAC	\$
Illuzio Chromatherapy BCHRO6	\$
WarmTouchShell® BWTS	\$
DOT control	Included with therapy
2 nd WarmTouchShell® BWTS2	\$

FEATURES

Installation type	Drop-in & Undermount**		
No. of bathers		Imp. gallons	49
US gallons	59		
STANDARD COLOR			
		Included	
White 01	Biscuit 02		

OPTIONS (UPCHARGE APPLICABLE)

WASTE & OVERFLOW 16" x 35" **BOVER16-XX**

Chrome 07	\$
White 01 , Biscuit 02	\$
Brushed Nickel 09 , Polished Nickel 10 , Oil-rubbed Bronze 11	\$

IF REQUIRED BY CONSTRUCTION CODE

16" x 35" Cable driven brass waste & overflow kit BOVERBR-XX	\$
---	----



Don't forget to indicate flat or rolled deck.

* The AromaCloud® is built into the deck (factory installed).

** The AromaCloud® is not available with Undermount installation.

TOTAL PRICE \$



ELLIPSE 7240



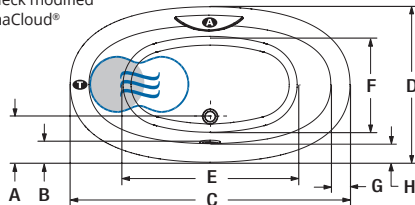
Flat deck



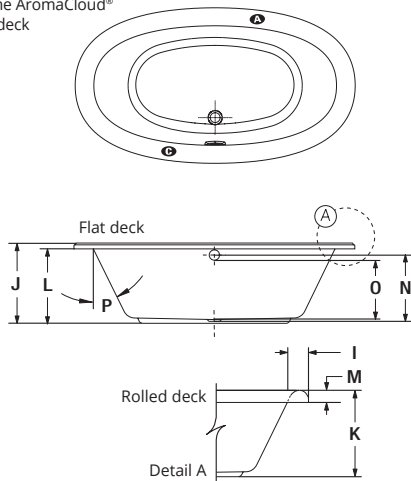
Rolled deck

INSTALLATION

- A** For rolled deck: deck modified to host the AromaCloud®



- A** With flat deck, the AromaCloud® is built into the deck



LETTER	DESCRIPTION	MEASURE
A	Outside edge to center drain	11 3/4"
B	Outside edge to overflow	4 7/8"
C	Total length	72"
D	Total width	40"
E	Bathing well length	46 1/8"
F	Bathing well width	24 3/4"
G	Deck width at backrest end	4 3/4"
H	Deck width	4 5/8"
I	Rolled deck width	5 3/8"
J	Height from bottom of bath to top deck	21"
K	Height from bottom of bath to top deck	22"
L	Height from bottom of bath to bottom of deck	19 1/2"
M	Height from bottom of deck to top deck	2 1/2"
N	Height from drain to center of overflow	16 5/8"
O	Maximum water level	14 7/8"
P	Slope of backrests	27°

- A** AromaCloud® position
- C** Control position when factory-installed (Mia® or DOT)
- T** Turbine position (TMU)
- Indicates heated backrest (TMU)
- ☄ Indicates WarmTouchShell® position (TUB)

TECHNICAL SPECIFICATIONS

Hot water supply required	Should be 70% of water capacity of TUB or greater.
Turbine	Access to the pump must be at least 18" x 22". Standard connection is 20 A, 120 V, 60 Hz , dedicated line with a Ground-Fault Circuit Interrupter (GFCI). For any additional option, a second line is needed 15 A, 120 V, 60 Hz , dedicated line with a GFCI. Air vent necessary: 2" x 4" minimum.
Others	- The GEYSAIR must always be accessible and connected to the hot water supply (provide access). - There is a height difference for the rolled deck (see drawing Detail A). - Available with flat deck or rolled deck.

Our products must be installed by certified professionals only and according to our Owner's Manual as well as federal, provincial/state and local building codes and regulations (www.bainultra.com/documentation/documentation).

Cutting template	# 90000001
Approx. shipping weight	128 lbs
Turbine power	550 W
Air heater	600 W

WARRANTY

Controls-LED-Geysair*	5 years
Bath & turbine*	20 years

* Some restrictions apply | www.bainultra.com/warranty



The specifications shown indicate the outer edge dimension and the inside bathing capacity dimension measured at air jets' height. The manufacturer accepts a 1/4" [0.64 cm] variance. There are variations on each product and specifications are subject to change as we improve upon our product as required. The dimensions needed for site preparation and structure building will differ. BainUltra® assumes no responsibility for preparatory work done prior to the product being on site.