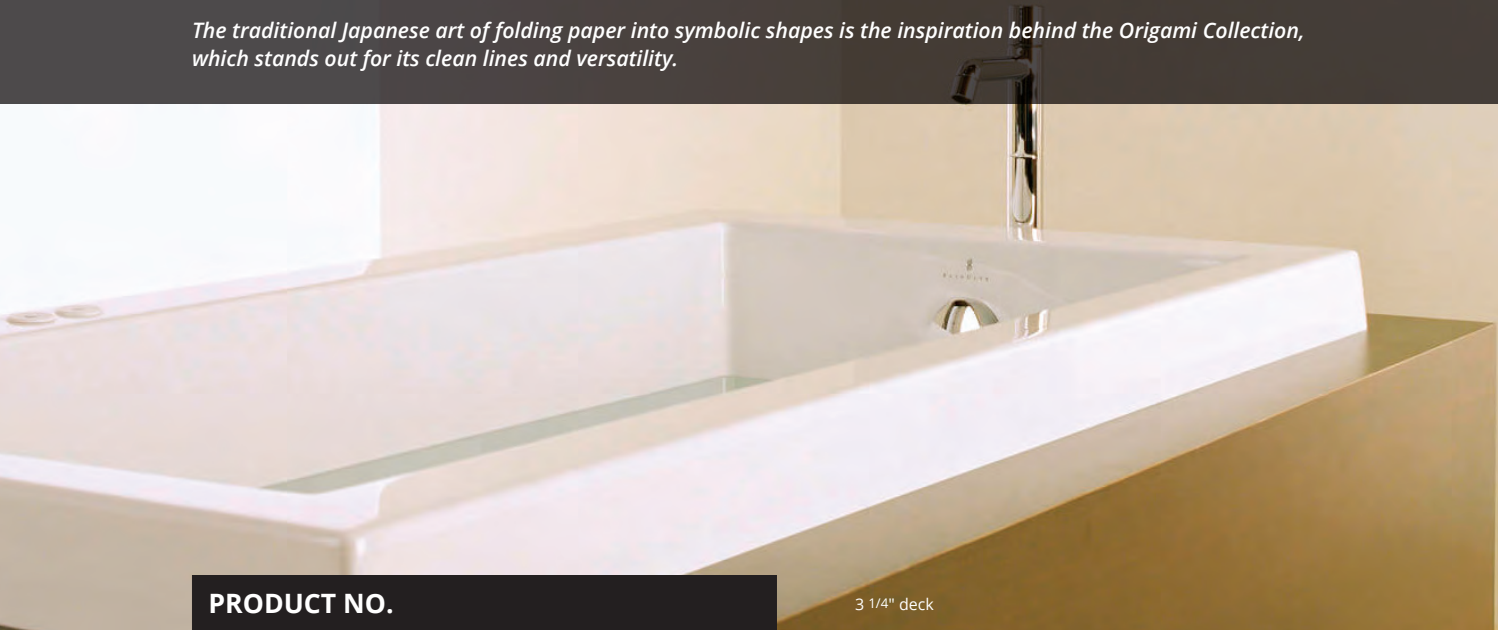


# ORIGAMI 6632 ORIGINAL SERIES

66" x 32" x 21"

The traditional Japanese art of folding paper into symbolic shapes is the inspiration behind the Origami Collection, which stands out for its clean lines and versatility.



3 1/4" deck

## PRODUCT NO.

MODEL	TMU	TUB
3 1/4" deck	BOOIRI00T-XX	BOOIRI00N-XX
2" deck	BOOIRI20T-XX	BOOIRI20N-XX
Slim deck	BOOIRI10T-XX	BOOIRI10N-XX

THERMOMASSEUR (TMU) Hydro-thermo massage • Air jet system	\$
Jets	45
1 heated backrest	Included
MiaPlus® Control	Included
BU-Touch Control Application <b>BUTOUCH</b>	\$
Geysair®	Included
AromaCloud®** <b>BAROMAC</b>	\$
Illuzio Chromatherapy <b>BCHRO6</b>	\$

TUB Soaker	\$
AromaCloud®** <b>BAROMAC</b>	\$
Illuzio Chromatherapy <b>BCHRO6</b>	\$
WarmTouchShell® <b>BWTS</b>	\$
DOT control	Included with therapy

## FEATURES

Installation type	Drop-in: 1/2", 2" & 3 1/4" & Alcove (3 walls); 2"		
No. of bathers	↓	Imp. gallons	41
US gallons	49		

STANDARD COLOR		
		Included
White 01	Biscuit 02	

## OPTIONS (UPCHARGE APPLICABLE)

FINISH		
UltraVelour Matte Finish (white only) <b>BVEL1</b>		\$
UNIVERSAL ARMRESTS <b>BGBGU-XX NEW</b>		
White 01		\$
SKIRT (2" deck only)	MULTIFIT BSMUL-XX	SJ-1 BSJ1-XX
White 01, Biscuit 02	\$	\$
TILE FLANGE (with 2" deck only) (specify right or left)		
Ordered with bath (not installed) <b>BTILEN</b>		\$
Factory-installed. Right <b>BTILER</b> , Left <b>BTILEL</b> , Special installation <b>BTILEO</b>		\$
WASTE & OVERFLOW	16" x 35" BOVER16-XX	INTE- GRATED BOVERIN-XX
Chrome 07	\$	\$
White 01, Biscuit 02	\$	\$
Matte White with UltraVelour finish 32	N/A	\$
Brushed Nickel 09, Polished Nickel 10	\$	\$
Oil-rubbed Bronze 11	\$	N/A
Matte Black 19, Satin Brass 18	N/A	\$
IF REQUIRED BY CONSTRUCTION CODE		
Brass waste & overflow kit** <b>BDRCOB</b>		\$
Brass waste kit** <b>BDRCB</b>		\$
16" x 35" Cable driven brass waste & overflow kit <b>BOVERBR</b>		\$

💡 Don't forget to indicate the deck height (1/2", 2" or 3 1/4").  
Slim deck are available for Drop-in installation only.  
\* The AromaCloud® is built into the deck (factory installed).  
\*\* When ordered with integrated waste & overflow.

<b>TOTAL PRICE</b>	\$
--------------------	----



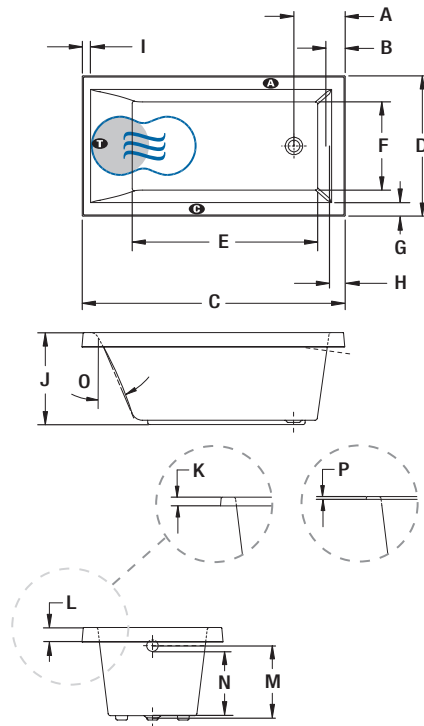
## ORIGAMI 6632 ORIGINAL SERIES



Slim deck 1/2"

### INSTALLATION

- A** When tile flange is added, the AromaCloud® will automatically be installed on the opposite side of the flange.



LETTER	DESCRIPTION	MEASURE
A	Outside edge to center drain	11 1/4"
B	Outside edge to overflow	4 1/8"
C	Total length (with 1/2" deck height)	65 5/8"
	Total length (with 2" deck height)	65 7/8"
	Total length (with 3 1/4" deck height)	66"
D	Total width (with 1/2" deck height)	31 5/8"
	Total width (with 2" deck height)	31 7/8"
	Total width (with 3 1/4" deck height)	32"
E	Bathing well length	49 1/2"
F	Bathing well width	20 7/8"
G	Deck width	3 5/8"
H	Deck width	3 5/8"
I	Deck width at backrest	1 3/8"
J	Height from bottom of bath to top deck	21"
K	Height from bottom of deck to top deck	2"
L	Height from bottom of deck to top deck	3 1/4"
M	Height from drain to center of overflow	15 1/2"
N	Maximum water level	13 7/8"
O	Slope of backrest	24°
P	Height from bottom of deck to top deck	1/2"

- A** AromaCloud® position    **T** Turbine position (TMU)  
**C** Control position when factory-installed (Mia® or DOT)  
 ● Indicates heated backrest (TMU)  
 ☞ Indicates WarmTouchShell® position (TUB)

### TECHNICAL SPECIFICATIONS

<b>Hot water supply required</b>	The hot water supply should be 70% or more of the bath's total water capacity.
<b>Turbine</b>	Access to the pump must be at least 18" x 22". <b>Standard connection is 20 A, 120 V, 60 hz</b> , dedicated line with a Ground-Fault Circuit Interrupter (GFCI). <b>For any additional option, a second line is needed 15 A, 120 V, 60 hz</b> , dedicated line with a GFCI. Air vent necessary: 2" x 4" minimum.
<b>Others</b>	- The Geysair is located on the same side as the heated backrest. It must <b>NOT</b> be relocated. It must be <b>connected to the hot water supply</b> and be accessible (provide access). - Optional tile flange with 2" deck height only (specify right or left).

Our products must be installed by certified professionals only and according to our Owner's Manual as well as federal, provincial/state and local building codes and regulations ([www.bainultra.com/documentation/documentation](http://www.bainultra.com/documentation/documentation)).

<b>Cutting template</b>	# 90000047
<b>Approx. shipping weight</b>	132 lbs
<b>Turbine power</b>	550 W
<b>Air heater</b>	600 W
<b>WARRANTY</b>	
Controls-LED-Geysair*	5 years
Bath & turbine*	20 years

\* Some restrictions apply | [www.bainultra.com/warranty](http://www.bainultra.com/warranty)

The specifications shown indicate the outer edge dimension and the inside bathing capacity dimension measured at air jets' height. The manufacturer accepts a 1/4" [0.64 cm] variance. There are variations on each product and specifications are subject to change as we improve upon our product as required. The dimensions needed for site preparation and structure building will differ. BainUltra® assumes no responsibility for preparatory work done prior to the product being on site.