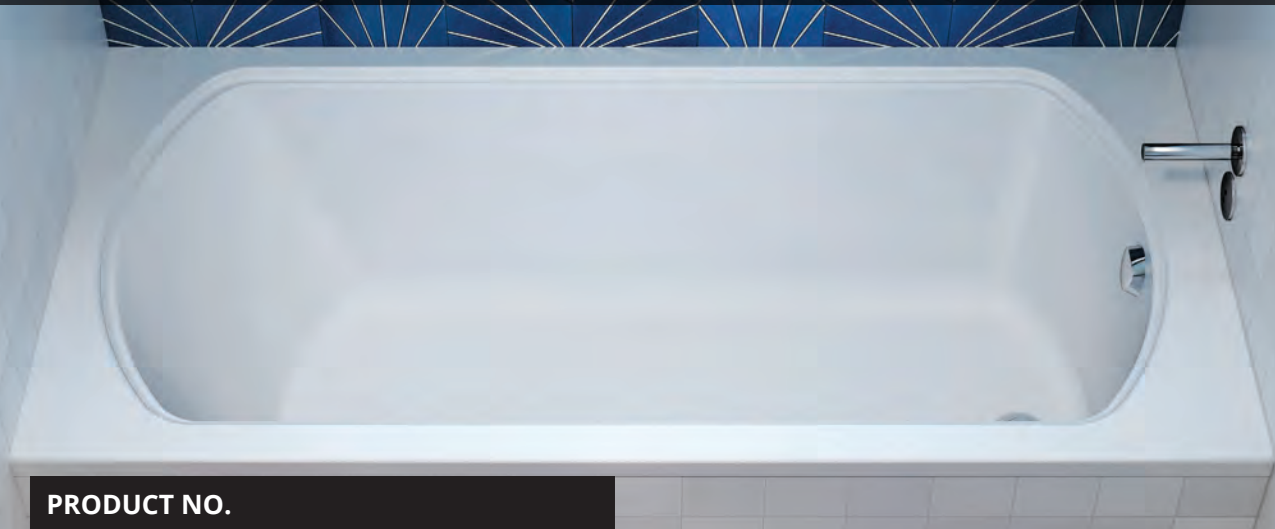


PRO-MERIDIAN 60

72" x 36" x 20"

Named after the meridians of our body—the paths along which our energy flows—the collection also brings to mind the meridian (or mid-point) of life with an invitation to relax and listen to your body and mind.



PRODUCT NO.

MODEL	TMU	TUB
	BPMSRI00T-XX	BPMSRI00N-XX

THERMOMASSEUR (TMU) Hydro-thermo massage • Air jet system	\$
Jets	50
1 heated backrest	Included
MiaPlus® Control	Included
BU-Touch Control Application BUTOUCH	\$
Geysair®	Included
AromaCloud** BAROMAC	\$
Illuzio Chromatherapy BCHRO6	\$

TUB Soaker	\$
AromaCloud** BAROMAC	\$
Illuzio Chromatherapy BCHRO6	\$
WarmTouchShell® BWTS	\$
DOT control	Included with therapy

FEATURES

Installation type	Drop-in & Alcove (3 walls)		
No. of bathers	▼	Imp. gallons	58
US gallons	69		

STANDARD COLOR

		Included
White 01	Biscuit 02	

OPTIONS (UPCHARGE APPLICABLE)

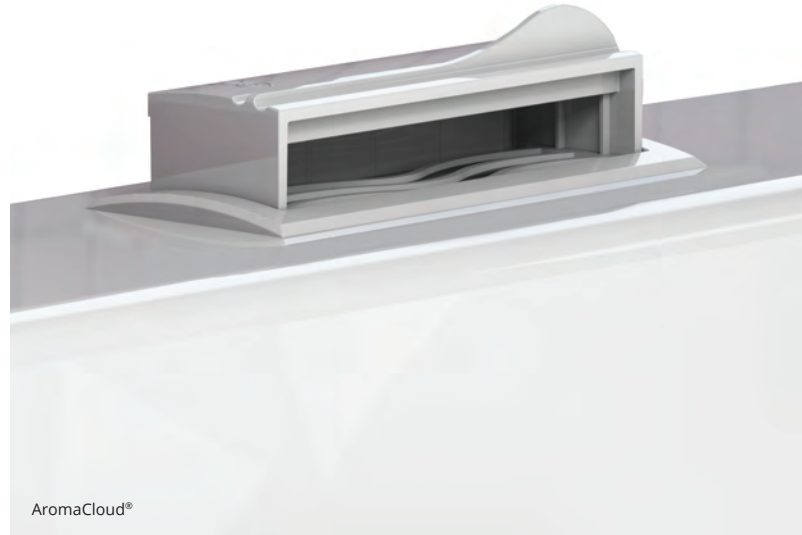
SKIRT	MULTIFIT BSMUL-XX	SJ-1 BSJ1-XX
White 01, Biscuit 02	\$	\$
TILE FLANGE (specify right or left)		
Ordered with bath (not installed) BTILEN		\$
Factory-installed. Right BTILER, Left BTILEL, Special installation BTILEO		\$
WASTE & OVERFLOW 16" x 35" BOVER16-XX		
Chrome 07		\$
White 01, Biscuit 02		\$
Brushed Nickel 09, Polished Nickel 10, Oil-rubbed Bronze 11		\$
IF REQUIRED BY CONSTRUCTION CODE		
16" x 35" Cable driven brass waste & overflow kit BOVERBR		\$

* The AromaCloud® is built into the deck (factory installed).

TOTAL PRICE	\$
--------------------	----

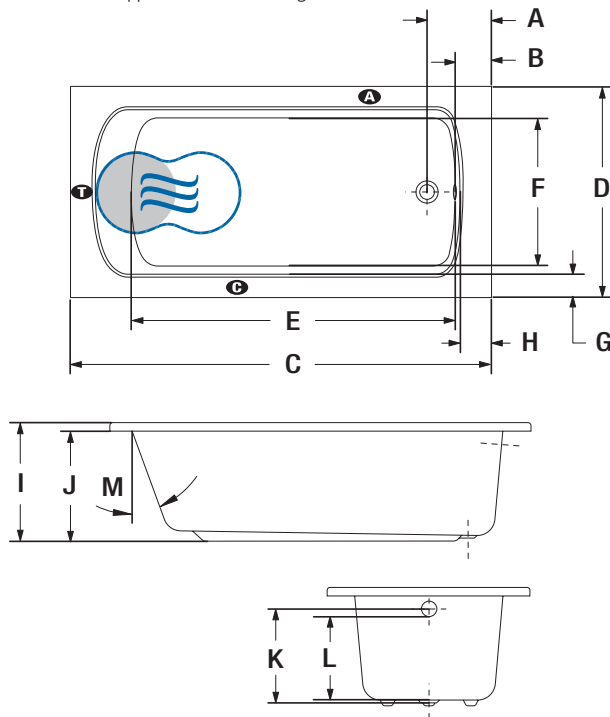


PRO-MERIDIAN 60



INSTALLATION

- A** When tile flange is added, the AromaCloud® will automatically be installed on the opposite side of the flange.



LETTER	DESCRIPTION	MEASURE
A	Outside edge to center drain	9 5/8"
B	Outside edge to overflow	4 3/8"
C	Total length	71 3/4"
D	Total width	35 7/8"
E	Bathing well length	55 1/4"
F	Bathing well width	25 1/2"
G	Deck width	3 7/8"
H	Deck width at drain end	4 3/8"
I	Height from bottom of bath to top deck	20 1/8"
J	Height from bottom of bath to bottom of deck	18 3/4"
K	Height from drain to center of overflow	16"
L	Maximum water level	14 1/2"
M	Slope of backrest	23°

- A** AromaCloud® position
- C** Control position when factory-installed (Mia® or DOT)
- T** Turbine position (TMU)
- Indicates heated backrest (TMU)
- ☞ Indicates WarmTouchShell® position (TUB)

TECHNICAL SPECIFICATIONS

Hot water supply required	The hot water supply should be 70% or more of the bath's total water capacity.
Turbine	Access to the pump must be at least 18" x 22". Standard connection is 20 A, 120 V, 60 Hz , dedicated line with a Ground-Fault Circuit Interrupter (GFCI). For any additional option, a second line is needed 15 A, 120 V, 60 Hz , dedicated line with a GFCI. Air vent necessary: 2" x 4" minimum.
Others	<ul style="list-style-type: none"> - The Geysair is located on the same side as the heated backrest. It must NOT be relocated. It must be connected to the hot water supply and be accessible (provide access). - Optional tile flange (specify right or left). - If ordered with an installed tile flange, the control will be shipped separately.

Our products must be installed by certified professionals only and according to our Owner's Manual as well as federal, provincial/state and local building codes and regulations (www.bainultra.com/documentation/documentation).

Cutting template	# 90000013
Approx. shipping weight	133 lbs
Turbine power	550 W
Air heater	600 W
WARRANTY	
Controls-LED-Geysair*	5 years
Bath & turbine*	20 years

* Some restrictions apply | www.bainultra.com/warranty

The specifications shown indicate the outer edge dimension and the inside bathing capacity dimension measured at air jets' height. The manufacturer accepts a 1/4" [0.64 cm] variance. There are variations on each product and specifications are subject to change as we improve upon our product as required. The dimensions needed for site preparation and structure building will differ. BainUltra® assumes no responsibility for preparatory work done prior to the product being on site.