

# SCALA 7242

72" x 42" x 25" (FREESTANDING)

Scala, this freestanding bath has an aesthetic refinement that translates into a contemporary version of the Rococo style bathtub on lion's feet.



## PRODUCT NO.

MODEL	TMU	TUB
Freestanding	BSCVOF00T-XX	BSCVOF00N-XX

THERMOMASSEUR (TMU)	
Hydro-thermo massage • Air jet system	\$
Jets	41
1 heated backrest & headrest	Included
MiaPlus® Control*	Included
BU-Touch Control Application	Included
Geysair®	Included
AromaCloud®	N/A
Illuzio Chromatherapy BCHRO6	\$
2 <sup>nd</sup> heated backrest (WTS-1 zone) BSHB	\$

TUB	
Soaker	\$
AromaCloud®	N/A
Illuzio Chromatherapy BCHRO6	\$
WarmTouchShell® BWTS	\$
DOT control	Included with therapy
2 <sup>nd</sup> WarmTouchShell® BWTS2	\$

## FEATURES

Installation type	Freestanding		
No. of bathers	2	Imp. gallons	63
US gallons	76		

## INTEGRATED WASTE & OVERFLOW BOVERINI-XX

White 01, Chrome 07, Brushed Nickel 09, Polished Nickel 10, Matte White with UltraVelour finish 32	Installed & Included
--	----------------------

## FEET (specify finish) BFEETSC-XX

Chrome 07, Brushed Nickel 09, Polished Nickel 10	Installed & Included
--	----------------------

## STANDARD COLOR

 White 01	Included
--	----------

## OPTIONS (UPCHARGE APPLICABLE)

### FINISH

UltraVelour Matte Finish (white only) BVEL2	\$
---	----

### ARMRESTS (2) BGBSC-XX

Chrome 07, Brushed Nickel 09, Polished Nickel 10	\$
--	----

Matte Black 19, Satin Brass 18	\$
--------------------------------	----

### FEET (specify finish) BFEETSC-XX

Matte Black 19, Satin Brass 18	\$
--------------------------------	----

### INTEGRATED WASTE & OVERFLOW BOVERINI-XX

Matte Black 19, Satin Brass 18	\$
--------------------------------	----

### ISLAND TUB DRAIN™\*\*


Island Tub Drain™ BISLDD	\$
--------------------------	----

Cast Iron Island Tub Drain™ BISLDDCI	\$
--------------------------------------	----

### IF REQUIRED BY CONSTRUCTION CODE

Brass waste & overflow kit BDRCOB	\$
-----------------------------------	----

Brass waste kit BDRCB	\$
-----------------------	----

 Don't forget that this model is available in **White only**. Don't forget to specify the **finish of the integrated waste & overflow, feet and armrests**.  
 \* Control and faucet cannot be installed on the deck of the bath.  
 \*\* An Island Tub Drain™ is required when there is **no access under the bath**.

TOTAL PRICE \$

## FOR THE INSTALLER

SCAN TO VIEW INSTALLATION VIDEO (3:20 MIN)





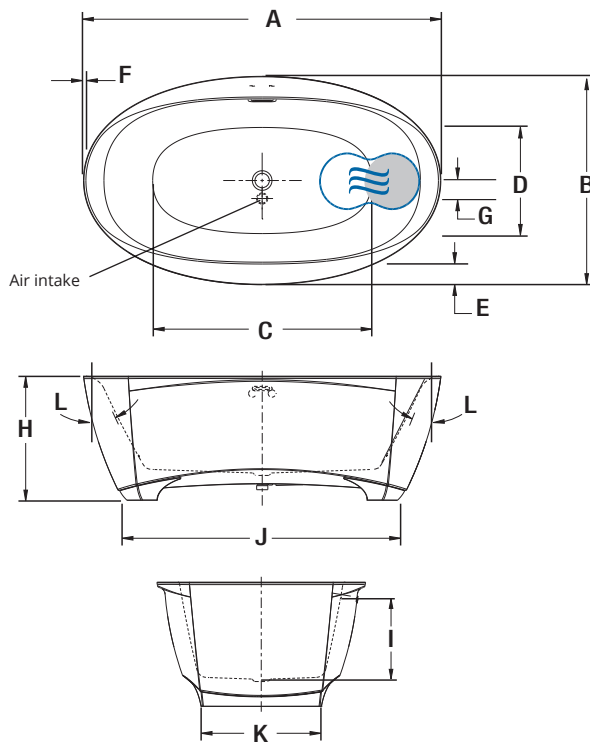
Armrests (2), offered in option

## SCALA 7242 (FREESTANDING)



Feet (shown in Matte Black)

### INSTALLATION



LETTER	DESCRIPTION	MEASURE
A	Total length	72"
B	Total width	42"
C	Bathing well length	50"
D	Bathing well width	26 1/2"
E	Deck width at sides	4 1/8"
F	Deck width at ends	1/2"
G	Center drain to air intake	3 5/8"
H	Total height to headrest	25"
I	Maximum water level	17 1/2"
J	Base length	54 3/8"
K	Base width	24 1/8"
L	Slope of backrests	27°

● Indicates heated backrest (TMU)

☞ Indicates WarmTouchShell® position (TUB)

### TECHNICAL SPECIFICATIONS

<b>Hot water supply required</b>	The hot water supply should be 70% or more of the bath's total water capacity.
<b>Turbine</b>	Access to the pump must be at least 18" x 22". <b>Standard connection is 20 A, 120 V, 60 Hz</b> , dedicated line with a Ground-Fault Circuit Interrupter (GFCI). <b>For any additional option, a second line is needed 15 A, 120 V, 60 Hz</b> , dedicated line with a GFCI. Air vent necessary: 2" x 4" minimum.
<b>Others</b>	<ul style="list-style-type: none"> <li>- The Geysair is located on the same side as the heated backrest. It must <b>NOT be relocated</b>. It must be <b>connected to the hot water supply</b> and be accessible (provide access).</li> <li>- Faucet must be freestanding or wall-mounted.</li> <li>- The turbine must be <b>remotely installed</b>.</li> <li>- TMU: Control must be wall-mounted.</li> <li>- TUB: DOT control will be installed on TUB.</li> </ul>

Our products must be installed by certified professionals only and according to our Owner's Manual as well as federal, provincial/state and local building codes and regulations ([www.bainultra.com/documentation/documentation](http://www.bainultra.com/documentation/documentation)).

<b>Cutting template</b>	# 90000076
<b>Approx. shipping weight</b>	300 lbs
<b>Turbine power</b>	550 W
<b>Air heater</b>	600 W
<b>WARRANTY</b>	
Controls-LED-Geysair*	5 years
Bath & turbine*	20 years

\* Some restrictions apply | [www.bainultra.com/warranty](http://www.bainultra.com/warranty)

The specifications shown indicate the outer edge dimension and the inside bathing capacity dimension measured at air jets' height. The manufacturer accepts a 1/4" [0.64 cm] variance. There are variations on each product and specifications are subject to change as we improve upon our product as required. The dimensions needed for site preparation and structure building will differ. BainUltra® assumes no responsibility for preparatory work done prior to the product being on site.