

VIBE TULIPA 6033

60" x 33" x 25" (FREESTANDING)

Vibe is a collection of therapeutic bathtubs with minimalist and contemporary flair. Vibe Tulipa gives the bather a moment of relief from the hectic life that defines modern urban living.



PRODUCT NO.

MODEL	TMU	TUB
Freestanding	BVTEOF00T-XX	BVTEOF00N-XX

THERMOMASSEUR (TMU)	
Hydro-thermo massage • Air jet system	\$
Jets	35
1 heated backrest	Included
MiaPlus® Control* (not installed)	Included
BU-Touch Control Application BUTOUCH	\$
Geysair®	Included
Illuzio Chromatherapy BCHRO6	\$

TUB	
Soaker	\$
Illuzio Chromatherapy BCHRO6	\$
WarmTouchShell® BWT5	\$
DOT control	Included with therapy

FEATURES

Installation type	Freestanding		
No. of bathers		Imp. gallons	33
US gallons	40		

INTEGRATED WASTE & OVERFLOW [BOVERINI-XX](#)

White 01 , Chrome 07 , Brushed Nickel 09 , Polished Nickel 10 , Matte White with UltraVelour finish 32	Installed & Included
--	----------------------

FEET (specify finish) [BFEETVT-XX](#)

Chrome 07 , Brushed Nickel 09 , Polished Nickel 10	Installed & Included
--	----------------------

STANDARD COLOR

	White 01	Included
--	--------------------------	----------

OPTIONS (UPCHARGE APPLICABLE)

COLOR

	Black / White 66	\$
--	----------------------------------	----

FINISH

UltraVelour Matte Finish (white only) BVEL2	\$
---	----

UNIVERSAL ARMRESTS [BGBGU-XX](#) **NEW**

White 01	\$
--------------------------	----

INTEGRATED WASTE & OVERFLOW [BOVERINI-XX](#)

Matte Black 19 , Satin Brass 18	\$
---	----

FEET (specify finish) [BFEETVT-XX](#)

Matte Black 19 , Satin Brass 18	\$
---	----

ISLAND TUB DRAIN™**

Island Tub Drain™ BISLDD	\$
Cast Iron Island Tub Drain™ BISLDDCI	\$

IF REQUIRED BY CONSTRUCTION CODE

Brass waste & overflow kit BDRCOB	\$
Brass waste kit BDRCB	\$

Don't forget to specify the finish of the integrated waste & overflow and feet.

* Control must be wall-mounted. Faucets must be freestanding or wall-mounted.

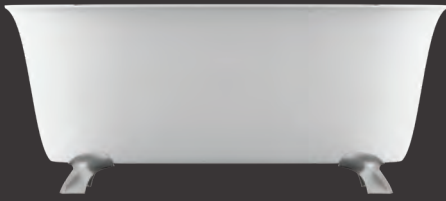
** An Island Tub Drain™ is required when there is no access under the bath.

TOTAL PRICE \$

FOR THE INSTALLER

SCAN TO VIEW INSTALLATION VIDEO (3:20 MIN)

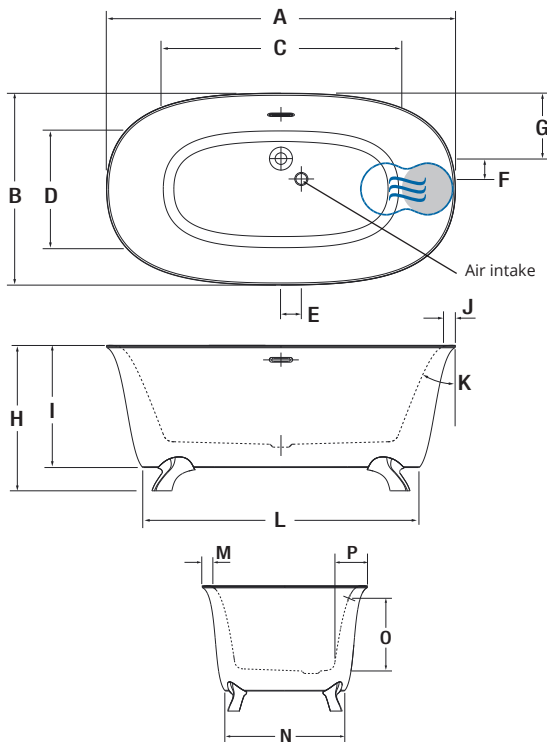




VIBE TULIPA 6033 (FREESTANDING)



INSTALLATION



LETTER	DESCRIPTION	MEASURE
A	Total length	60"
B	Total width	33"
C	Bathing well length	41 1/2"
D	Bathing well width	20 3/8"
E	Center of air intake to center of drain (front)	3 1/2"
F	Center of air intake to center of drain (side)	3 1/2"
G	Outer edge to center of drain	11 1/4"
H	Total height at headrest	25"
I	Total height of bath shell	21"
J	Deck width at headrest	2 1/2"
K	Slope of backrests	22°
L	Base length	47 1/2"
M	Deck width	2"
N	Base width	23 3/4"
O	Maximum water level	14 3/8"
P	Minimum spout reach	6 1/2"

- Indicates heated backrest (TMU)
- ☉ Indicates WarmTouchShell® position (TUB)

TECHNICAL SPECIFICATIONS

Hot water supply required	The hot water supply should be 70% or more of the bath's total water capacity.
Turbine	Access to the pump must be at least 18" x 22". Standard connection is 20 A, 120 V, 60 Hz , dedicated line with a Ground-Fault Circuit Interrupter (GFCI). For any additional option, a second line is needed 15 A, 120 V, 60 Hz , dedicated line with a GFCI. Air vent necessary: 2" x 4" minimum.
Others	<ul style="list-style-type: none"> - The Geysair is located on the same side as the heated backrest. It must NOT be relocated. It must be connected to the hot water supply and be accessible (provide access). - Faucet must be freestanding or wall-mounted. - The turbine must be remotely installed. - Controls cannot be installed on the deck of the bath.

Our products must be installed by certified professionals only and according to our Owner's Manual as well as federal, provincial/state and local building codes and regulations (www.bainultra.com/documentation/documentation).

Cutting template	# 90000081
Approx. shipping weight	225 lbs
Turbine power	550 W
Air heater	600 W
WARRANTY	
Controls-LED-Geysair*	5 years
Bath & turbine*	20 years

* Some restrictions apply | www.bainultra.com/warranty

The specifications shown indicate the outer edge dimension and the inside bathing capacity dimension measured at air jets' height. The manufacturer accepts a 1/4" [0.64 cm] variance. There are variations on each product and specifications are subject to change as we improve upon our product as required. The dimensions needed for site preparation and structure building will differ. BainUltra® assumes no responsibility for preparatory work done prior to the product being on site.