

NEW

VIBE TULIPA 6033

60" x 33" x 25" (FREESTANDING)

Vibe is a new collection of therapeutic bathtubs with minimalist and contemporary flair. Vibe Tulipa gives the bather a moment of relief from the hectic life that defines modern urban living.



PRODUCT NO.

MODEL	TMU	TUB
Freestanding	BVTEOF00T-XX	BVTEOF00N-XX

THERMOMASSEUR (TMU)	
Hydro-thermo massage • Air jet system	\$
Jets	35
1 heated backrest	Included
MiaPlus® Control* (not installed)	Included
Geysair®	Included
Illuzio Chromatherapy BCHRO6	\$

TUB	
Soaker	\$
Illuzio Chromatherapy BCHRO6	\$
WarmTouchShell® BWTS	\$
DOT control	Included with therapy

FEATURES


Installation type	Freestanding		
No. of bathers	↓	Imp. gallons	33
US gallons	40		


INTEGRATED WASTE & OVERFLOW BOVERINI-XX	
White 01, Chrome 07, Brushed Nickel 09, Polished Nickel 10	Installed & Included

FEET (specify finish) BFEETVT-XX	
Chrome 07, Brushed Nickel 09, Polished Nickel 10	Installed & Included

STANDARD COLOR	
 White 01	Included

OPTIONS (UPCHARGE APPLICABLE)

COLOR	
 Black / White 66 NEW	\$
FINISH	
UltraVelour Matte Finish (White only) BVEL	\$
INTEGRATED WASTE & OVERFLOW BOVERINI-XX	
Matte Black 19, Black Chrome 12, Satin Brass 18	\$
FEET (specify finish) BFEETVT-XX	
Matte Black 19, Black Chrome 12, Satin Brass 18	\$
ISLAND TUB DRAIN™**	
Island Tub Drain™ BISLDD	\$
Cast Iron Island Tub Drain™ BISLDDCI	\$
CONTROL (TMU only)	
MiaMulti® BMIAM2-XX	\$
IF REQUIRED BY CONSTRUCTION CODE OR INSTALLED WITH ITD	
Brass waste & overflow kit BDRCOB	\$
Brass waste kit BDRCB	\$

 Don't forget to specify the finish of the integrated waste & overflow and feet.

* Control must be wall-mounted. Faucets must be freestanding or wall-mounted.

** An Island Tub Drain™ is required when there is no access under the bath.

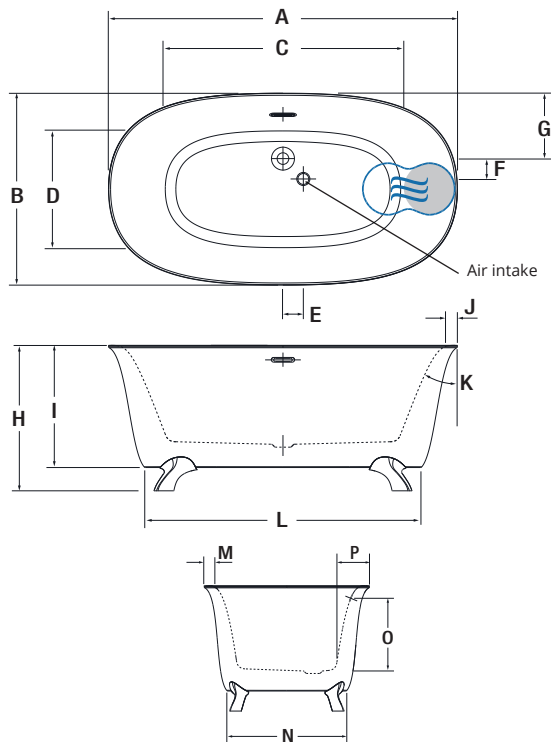
TOTAL PRICE	\$
--------------------	----



VIBE TULIPA 6033 (FREESTANDING)



INSTALLATION



LETTER	DESCRIPTION	MEASURE
A	Total length	60"
B	Total width	33"
C	Bathing well length	41 1/2"
D	Bathing well width	20 3/8"
E	Center of air intake to center of waste (front)	3 1/2"
F	Center of air intake to center of waste (side)	3 1/2"
G	Outer edge to center of waste	11 1/4"
H	Total height at headrest	25"
I	Total height of bath shell	21"
J	Deck width	2 1/2"
K	Slope of backrest	22°
L	Base length	47 1/2"
M	Deck width	2"
N	Base width	23 3/4"
O	Maximum water level	14 3/8"
P	Minimum spout reach	6 1/2"

- Indicates heated backrest (TMU)
- ☁ Indicates WarmTouchShell® position (TUB)

TECHNICAL SPECIFICATIONS

Hot water supply required	Should be 70% of water capacity of TUB or greater.
Turbine	Access to the pump must be at least 18" x 22". Standard connection is 20 A, 120 V, 60 Hz , dedicated line with a Ground-Fault Circuit Interrupter (GFCI). For any additional option, a second line is needed 15 A, 120 V, 60 Hz , dedicated line with a GFCI. Air vent necessary: 2" x 4" minimum.
Others	<ul style="list-style-type: none"> - Faucet must be freestanding or wall-mounted. - The turbine must be remotely installed. - Controls cannot be installed on the deck of the bath.

Our products must be installed by certified professionals only and according to our Owner's Manual as well as federal, provincial/state and local building codes and regulations (www.bainultra.com/documentation/documentation).

Cutting template	# 90000081
Approx. shipping weight	225 lbs
Turbine power	550 W
Air heater	600 W
WARRANTY	
Controls-LED-Geysair*	5 years
Bath & turbine*	20 years

* Some restrictions apply | www.bainultra.com/warranty



The specifications shown indicate the outer edge dimension and the inside bathing capacity dimension measured at air jets' height. The manufacturer accepts a 1/4" [0.64 cm] variance. There are variations on each product and specifications are subject to change as we improve upon our product as required. The dimensions needed for site preparation and structure building will differ. BainUltra® assumes no responsibility for preparatory work done prior to the product being on site.