

AMMA OVAL 7242

72" x 42" x 28" (FREESTANDING)

Amma takes its origin in the word "massage" as represented by two Chinese characters, AN and MO, meaning "calm through touch."



With flat deck

PRODUCT NO.

DESCRIPTION	TMU	TUB
Flat deck	BAMVOFN0T-XX	BAMVOFN0N-XX
Raised deck	BAMVOFP0T-XX	BAMVOFP0N-XX

THERMOMASSEUR (TMU)	
Hydro-thermo massage • Air jet system	\$
Jets	58
2 heated backrests & headrests*	Included
MiaPlus® Control	Included
Geysair®	Included
AromaCloud® BAROMAC	\$
Illuzio Chromatherapy BCHRO6	\$

TUB	
Soaker	\$
AromaCloud® BAROMAC	\$
Illuzio Chromatherapy BCHRO6	\$
WarmTouchShell® BWTS	\$
DOT control	Included with therapy
2 nd WarmTouchShell® BWTS2	\$

FEATURES

Installation type	Freestanding		
No. of bathers	2	Inverted V	2
US gallons	65	Armrests	4
Imp. gallons	54	Grab bars (color match)	2
Raised seats	2		

WASTE & OVERFLOW 16" x 35" **BOVER16I-XX**

White 01 , Biscuit 02 , Chrome 07 , Brushed Nickel 09 , Polished Nickel 10 , Oil-rubbed Bronze 11	Installed & Included
---	----------------------

STANDARD COLOR

 	Included
White 01 Biscuit 02	

STANDARD BASE COLOR **BAMBASE-XX**

Same as bath color XX Wood Base 20	Included
---	----------

OPTIONS (UPCHARGE APPLICABLE)

COLOR

	\$
Gray 05	

CONTROL (TMU only)

MiaMulti® BMIAM2-XX	\$
----------------------------	----

CLEAR ACRYLIC GRAB BARS **BGBG10-XX**

With Chrome 07 or Brushed Nickel 09 inserts	\$
---	----

INTEGRATED WASTE & OVERFLOW (installed) **BOVERIN-XX**

White 01 , Biscuit 02 , Chrome 07 , Brushed Nickel 09 , Polished Nickel 10	\$
Black Chrome 12 , Matte Black 19 , Satin Brass 18	\$

ISLAND TUB DRAIN™***

Island Tub Drain™ BISLDD	\$
Cast Iron Island Tub Drain™ BISLDDCI	\$

IF REQUIRED BY CONSTRUCTION CODE OR INSTALLED WITH ITD

Brass waste & overflow kit*** BDRCOB	\$
Brass waste kit*** BDRCB	\$
16" x 35" Cable driven Brass waste & overflow kit BOVERBR-XX	\$



Don't forget to indicate **raised or flat deck**. Specify the finish for the waste & overflow.

* Independently controlled.

** An Island Tub Drain™ is required when there is **no access under the bath**.

*** When ordered with integrated waste & overflow.

TOTAL PRICE \$



Raised deck

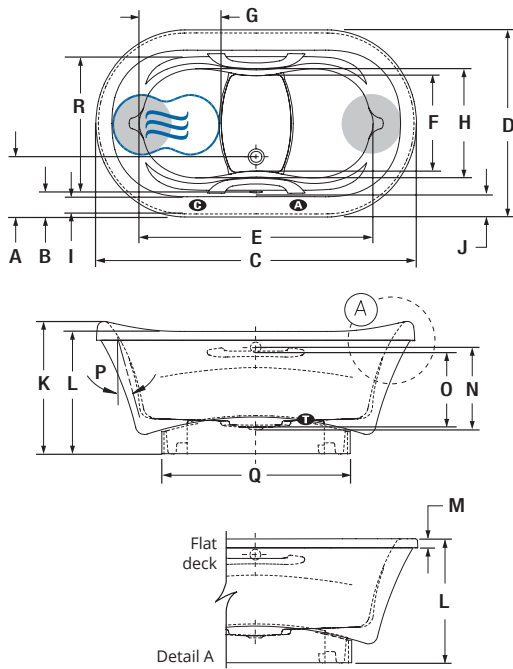


Flat deck

AMMA OVAL 7242 (FREESTANDING)

INSTALLATION

Available with raised or flat deck.



LETTER	DESCRIPTION	MEASURE
A	Outside edge to center drain	13 1/2"
B	Outside edge to overflow	5 3/8"
C	Total length	72"
D	Total width	42"
E	Bathing well length	52 1/4"
F	Bathing well width at foot area	21 3/8"
G	Raised seat length	18 5/8"
H	Raised seat width	24"
I	Flat surface width	3 7/8"
J	Deck width	5 1/4"
K	Total height to headrest	29 7/8"
L	Height from bottom of TUB to top deck	27 5/8"
M	Height from bottom of lip to top deck	2"
N	Height from drain to center of overflow	18 1/8"
O	Maximum water level	16 3/8"
P	Slope of backrest	18°
Q	Base length	42 5/8"
R	Base width	28 5/8"

- A** AromaCloud® position
- C** Control position when factory-installed (Mia® or DOT)
- T** Turbine position (TMU)
- Indicates heated backrest (TMU)
- ☁ Indicates WarmTouchShell® position (TUB)

TECHNICAL SPECIFICATIONS

Hot water supply required	Should be 70% of water capacity of TUB or greater.
Turbine	Access to the pump must be at least 18" x 22". Standard connection is 20 A, 120 V, 60 Hz , dedicated line with a Ground-Fault Circuit Interrupter (GFCI). For any additional option, a second line is needed 15 A, 120 V, 60 Hz , dedicated line with a GFCI. Air vent necessary: 2" x 4" minimum.
Others	<ul style="list-style-type: none"> - There is a height difference for the flat deck (see drawing Detail A). - Turbine located under bath and accessible by a removable base cover. - Faucets may be installed on deck of bath. Overflow preinstalled for easier in-home fitting. - Specify flat or raised deck.

Our products must be installed by certified professionals only and according to our Owner's Manual as well as federal, provincial/state and local building codes and regulations (www.bainultra.com/documentation/documentation).

Cutting template	# 90000036
Approx. shipping weight	290 lbs
Turbine power	550 W
Air heater	600 W

WARRANTY	
Controls-LED-Geysair*	5 years
Bath & turbine*	20 years

* Some restrictions apply | www.bainultra.com/warranty



The specifications shown indicate the outer edge dimension and the inside bathing capacity dimension measured at air jets' height. The manufacturer accepts a 1/4" [0.64 cm] variance. There are variations on each product and specifications are subject to change as we improve upon our product as required. The dimensions needed for site preparation and structure building will differ. BainUltra® assumes no responsibility for preparatory work done prior to the product being on site.