

# ESSENCIA OVAL 7236

72" x 36" x 25"

Essencia evokes essence—the elemental aspects of the inner being.



## PRODUCT NO.

MODEL	TMU	TUB
	BESSOD00T-XX	BESSOD00N-XX

THERMOMASSEUR (TMU)	
Hydro-thermo massage • Air jet system	\$
Jets	50
1 heated backrest & headrest	Included
MiaPlus® Control*	Included
BU-Touch Control Application <b>BUTOUCH NEW</b>	\$
Geysair®	Included
AromaCloud® <b>BAROMAC</b>	\$
Illuzio Chromatherapy <b>BCHRO6</b>	\$

TUB	
Soaker	\$
AromaCloud® <b>BAROMAC</b>	\$
Illuzio Chromatherapy <b>BCHRO6</b>	\$
WarmTouchShell® <b>BWTS</b>	\$
DOT control	Included with therapy

## FEATURES

Installation type		Drop-In
No. of bathers	1	Inverted V
US gallons	61	Armrests
Imp. gallons	51	Grab bars (color match)
Raised seats	1	Footrest
		Included

## WASTE & OVERFLOW 16" x 35" **BOVER16I-XX**

White <b>01</b> , Biscuit <b>02</b> , Chrome <b>07</b> , Brushed Nickel <b>09</b> , Polished Nickel <b>10</b> , Oil-rubbed Bronze <b>11</b>	Installed & Included
---	----------------------

## STANDARD COLOR

 White <b>01</b>  Biscuit <b>02</b>	Included
---	----------

## OPTIONS (UPCHARGE APPLICABLE)

### FINISH

UltraVelour Matte Finish (White only) <b>BVEL</b>	\$
---	----

### CLEAR ACRYLIC GRAB BARS **BGBG10-XX**

With Chrome <b>07</b> or Brushed Nickel <b>09</b> inserts	\$
---	----

### IF REQUIRED BY CONSTRUCTION CODE

16" x 35" Cable driven brass waste & overflow kit <b>BOVERBR-XX</b>	\$
---	----

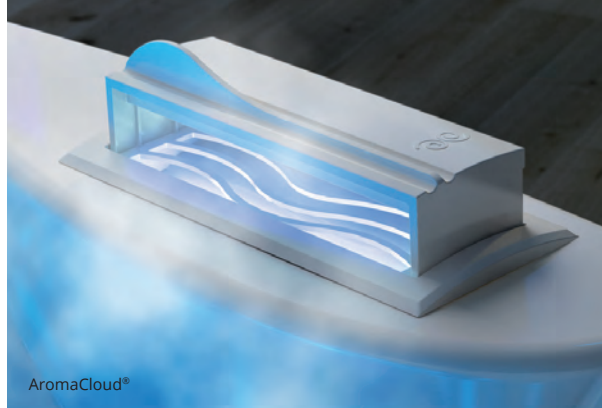


\* For TMU, control and faucets cannot be installed on the deck of the bath.

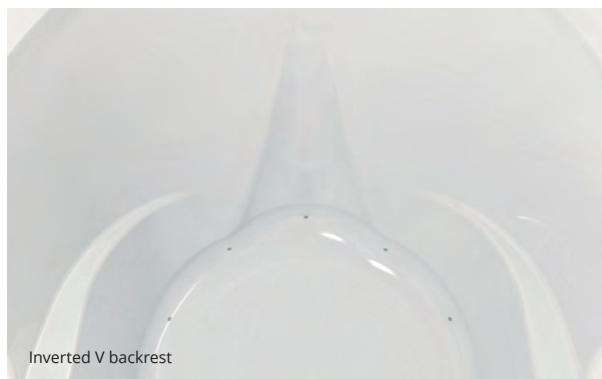
**TOTAL PRICE** \$



**ESSENCIA OVAL 7236**

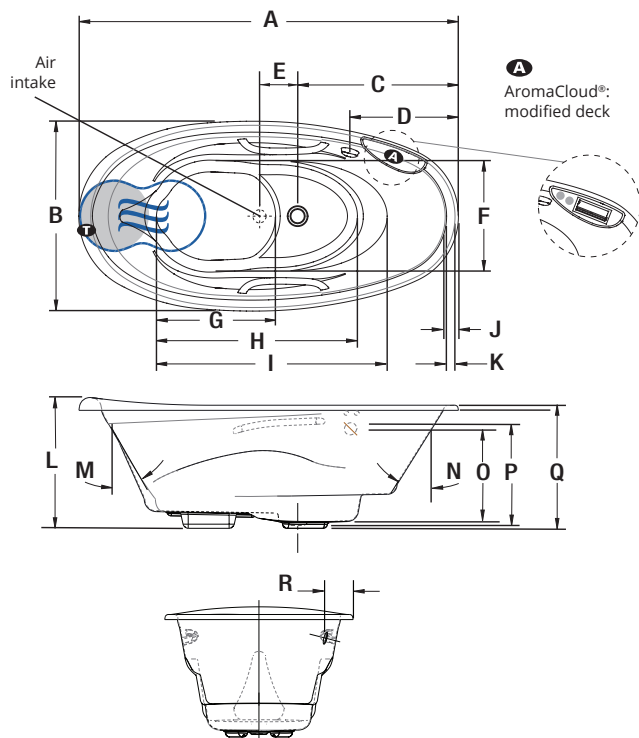


AromaCloud®



Inverted V backrest

**INSTALLATION**



LETTER	DESCRIPTION	MEASURE
A	Total length	72"
B	Total width	36"
C	Outside edge to center drain	30 1/2"
D	Outside edge to overflow	20 1/2"
E	Center drain to center air intake	5"
F	Bathing well width	21"
G	Raised seat length	22 5/8"
H	Bottom bathing well length	38"
I	Bathing well length	45 1/4"
J	Deck width (top)	2 5/8"
K	Deck width (raised deck)	1 1/2"
L	Total height to headrest	24 7/8"
M	Slope of backrest	30°
N	Slope on drain side	32°
O	Maximum water level	16 5/8"
P	Height from drain to center of overflow	18 3/8"
Q	Height from bottom of bath to top deck	23 1/2"
R	Minimum faucet dimension	6 3/8"

- AromaCloud® position
- Indicates heated backrest (TMU)
- Indicates WarmTouchShell® position (TUB)

**TECHNICAL SPECIFICATIONS**

<b>Hot water supply required</b>	Should be 70% of water capacity of TUB or greater.
<b>Turbine</b>	Access to the pump must be at least 18" x 22". <b>Standard connection is 20 A, 120 V, 60 hz, dedicated line with a Ground-Fault Circuit Interrupter (GFCI). For any additional option, a second line is needed 15 A, 120 V, 60 hz, dedicated line with a GFCI. Air vent necessary: 2" x 4" minimum.</b>
<b>Others</b>	<ul style="list-style-type: none"> <li>- The GEYSAIR must always be accessible and connected to the hot water supply (provide access).</li> <li>- Faucets cannot be installed on the deck of the bath.</li> <li>- The turbine must be <b>remotely installed</b>.</li> <li>- TMU: Control must be wall-mounted.</li> <li>- TUB: Dot controls are located on the side of the AromaCloud®.</li> </ul>

Our products must be installed by certified professionals only and according to our Owner's Manual as well as federal, provincial/state and local building codes and regulations ([www.bainultra.com/documentation/documentation](http://www.bainultra.com/documentation/documentation)).

<b>Cutting template</b>	# 90000056
<b>Approx. shipping weight</b>	146 lbs
<b>Turbine power</b>	550 W
<b>Air heater</b>	600 W
<b>WARRANTY</b>	
Controls-LED-Geysair*	5 years
Bath & turbine*	20 years

\* Some restrictions apply | [www.bainultra.com/warranty](http://www.bainultra.com/warranty)



The specifications shown indicate the outer edge dimension and the inside bathing capacity dimension measured at air jets' height. The manufacturer accepts a 1/4" [0.64 cm] variance. There are variations on each product and specifications are subject to change as we improve upon our product as required. The dimensions needed for site preparation and structure building will differ. BainUltra® assumes no responsibility for preparatory work done prior to the product being on site.