

ESSENCIA OVAL 7236

72" x 36" x 27" (FREESTANDING)

Essencia evokes essence—the elemental aspects of the inner being.



PRODUCT NO.

MODEL	TMU	TUB
Freestanding	BESSOF00T-XX	BESSOF00N-XX

THERMOMASSEUR (TMU)	\$
Hydro-thermo massage • Air jet system	
Jets	46
1 heated backrest & headrest	Included
MiaPlus® Control*	Included
BU-Touch Control Application NEW	Included
Geysair®	Included
AromaCloud®*** BAROMAC	\$
Illuzio Chromatherapy BCHRO6	\$

TUB	\$
Soaker	
AromaCloud®*** BAROMAC	\$
Illuzio Chromatherapy BCHRO6	\$
WarmTouchShell® BWTS	\$
DOT control	Included with therapy

FEATURES

Installation type	Freestanding		
No. of bathers	1	Inverted V	1
US gallons	61	Armrests	2
Imp. gallons	51	Grab bars (color match)	2
Raised seat	1	Footrest	Included

WASTE & OVERFLOW 16" x 35" **BOVER16I-XX**

White 01 , Chrome 07 , Brushed Nickel 09 , Polished Nickel 10 , Oil-rubbed Bronze 11	Installed & Included
---	----------------------

STANDARD COLOR

 White 01	Included
---	----------

OPTIONS (UPCHARGE APPLICABLE)

CLEAR ACRYLIC GRAB BARS **BGBG10-XX**

With Chrome 07 or Brushed Nickel 09 inserts	\$
---	----

ISLAND TUB DRAIN™***

Island Tub Drain™ BISLDD	\$
Cast Iron Island Tub Drain™ BISLDDCI	\$

IF REQUIRED BY CONSTRUCTION CODE OR INSTALLED WITH ITD

16" x 35" Cable driven brass waste & overflow kit BOVERBR-XX	\$
---	----



Don't forget that this model is available in **White only**.
 Don't forget to specify the **finish of the integrated waste & overflow**.
 * For TMU, control must be wall-mounted. Faucets must be freestanding or wall-mounted.
 ** The AromaCloud® is built into the deck (factory installed).
 *** An Island Tub Drain™ is required when there is **no access under the bath**. ITD is available only with the 16" x 35" Cable driven brass waste & overflow kit **BOVERBR-XX**.

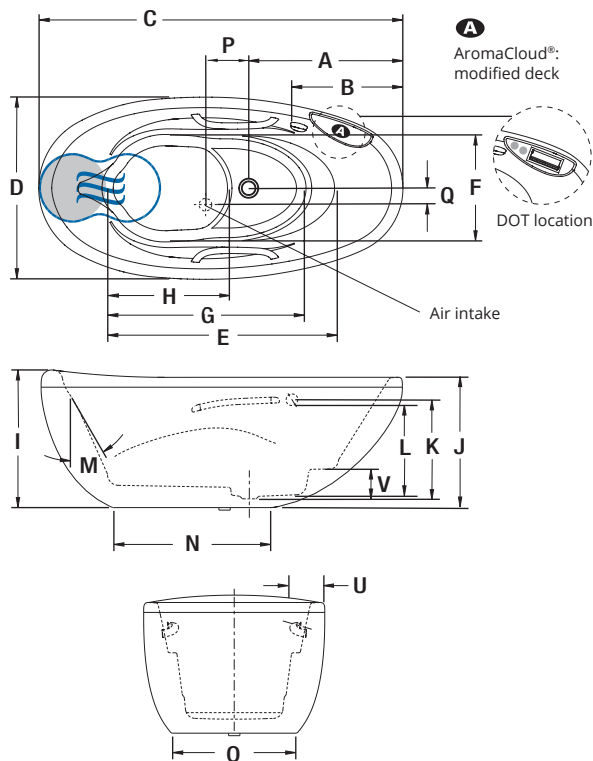
TOTAL PRICE \$



ESSENCIA OVAL 7236 (FREESTANDING)



INSTALLATION



LETTER	DESCRIPTION	MEASURE
A	Outside edge to center drain	30 1/2"
B	Outside edge to overflow	20 1/2"
C	Total length	72"
D	Total width	36"
E	Bathing well length	45 1/4"
F	Bathing well width	21"
G	Bottom bathing well length	38"
H	Raised seat length	22 5/8"
I	Total height to headrest	27 3/8"
J	Height from bottom of bath to top deck	26"
K	Height from drain to center of overflow	18 3/8"
L	Maximum water level	16 5/8"
M	Slope of backrest	30°
N	Base length	32 3/8"
O	Base width	19"
P	Center drain to center air intake	7 7/16"
Q	Center drain to center air intake	2 1/2"
U	Minimum spout reach	6 3/8"
V	Height of footrest	5 1/2"

A AromaCloud® position
 ● Indicates heated backrest (TMU)
 Indicates WarmTouchShell® position (TUB)

TECHNICAL SPECIFICATIONS

Hot water supply required	Should be 70% of water capacity of TUB or greater.
Turbine	Access to the pump must be at least 18" x 22". Standard connection is 20 A, 120 V, 60 hz, dedicated line with a Ground-Fault Circuit Interrupter (GFCI). For any additional option, a second line is needed 15 A, 120 V, 60 hz, dedicated line with a GFCI. Air vent necessary: 2" x 4" minimum.
Others	<ul style="list-style-type: none"> - The GEYSAIR must always be accessible and connected to the hot water supply (provide access). - Faucet must be freestanding or wall-mounted. - The turbine must be remotely installed. - TMU: Control must be wall-mounted. - TUB: Dot controls are located on the side of the AromaCloud®.

Our products must be installed by certified professionals only and according to our Owner's Manual as well as federal, provincial/state and local building codes and regulations (www.bainultra.com/documentation/documentation).

Cutting template	# 90000056
Approx. shipping weight	305 lbs
Turbine power	550 W
Air heater	600 W
WARRANTY	
Controls-LED-Geysair*	5 years
Bath & turbine*	20 years

* Some restrictions apply | www.bainultra.com/warranty



The specifications shown indicate the outer edge dimension and the inside bathing capacity dimension measured at air jets' height. The manufacturer accepts a 1/4" [0.64 cm] variance. There are variations on each product and specifications are subject to change as we improve upon our product as required. The dimensions needed for site preparation and structure building will differ. BainUltra® assumes no responsibility for preparatory work done prior to the product being on site.