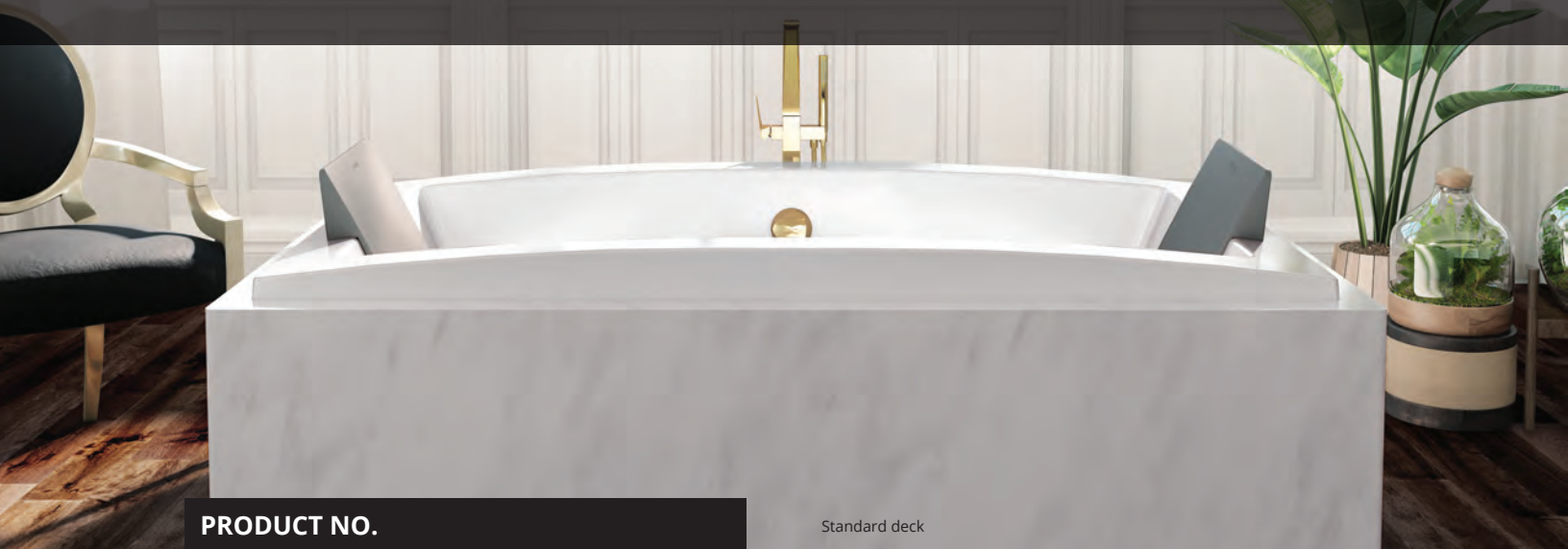


# INUA 7240

72" x 40" x 23"

In Inuit spirituality Inua means "everything that lives." INUA is the universal soul that unites all things in nature.



## PRODUCT NO.

Standard deck

DESCRIPTION	TMU	TUB
Standard 1 1/2" deck	BINURD00T-XX	BINURD00N-XX
Slim deck 1/2"	BINURD10T-XX	BINURD10N-XX

THERMOMASSEUR (TMU)	
Hydro-thermo massage • Air jet system	\$
Jets	58
1 heated backrest	Included
MiaPlus® Control	Included
BU-Touch Control Application <b>BUTOUCH NEW</b>	\$
Geysair®	Included
AromaCloud® <b>BAROMAC</b>	\$
Illuzio Chromatherapy <b>BCHRO6</b>	\$
2 <sup>nd</sup> heated backrest (WTS-1 zone) <b>BSHB</b>	\$

TUB	
Soaker	\$
AromaCloud® <b>BAROMAC</b>	\$
Illuzio Chromatherapy <b>BCHRO6</b>	\$
WarmTouchShell® <b>BWTS</b>	\$
DOT control	Included with therapy
2 <sup>nd</sup> WarmTouchShell® <b>BWTS2</b>	\$

## FEATURES

Installation type	Drop-in		
No. of bathers		Inverted V	2
US gallons	67	Armrests	4
Imp. gallons	56	Grab bars (color match)	2
Raised seats	2	Comfort Cushion (specify color: Grey or Black)	2

## STANDARD COLOR

		Included
White <b>01</b>	Biscuit <b>02</b>	

## OPTIONS (UPCHARGE APPLICABLE)

### FINISH

UltraVelour Matte Finish (White only) **BVEL** \$

### WASTE & OVERFLOW

16" x 35"  
**BOVER16-XX**

**INTE-GRATED**  
**BOVERIN-XX**

Chrome <b>07</b>	\$	\$
White <b>01</b> , Biscuit <b>02</b>	\$	\$
Brushed Nickel <b>09</b> , Polished Nickel <b>10</b>	\$	\$
Oil-rubbed Bronze <b>11</b>	\$	N/A
Black Chrome <b>12</b> , Matte Black <b>19</b> , Satin Brass <b>18</b>	N/A	\$

### CLEAR ACRYLIC GRAB BARS **BGBG10-XX**

With Chrome **07** or Brushed Nickel **09** inserts \$

### IF REQUIRED BY CONSTRUCTION CODE

Brass waste & overflow kit* <b>BDRCOB</b>	\$
Brass waste kit* <b>BDRCB</b>	\$
16" x 35" Cable driven brass waste & overflow kit <b>BOVERBR-XX</b>	\$



Don't forget to specify the deck height (1/2" or 1 1/2").  
\* When ordered with integrated waste & overflow.

**TOTAL PRICE** \$



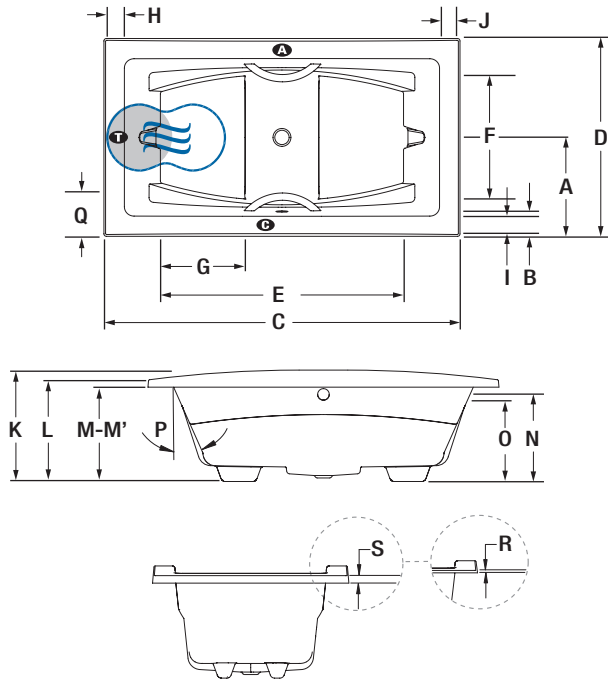
**INUA 7240**



Comfort Cushion (2 included)

**INSTALLATION**

**A** With the AromaCloud®, you must choose to install the control or the faucet on opposite side.



LETTER	DESCRIPTION	MEASURE
A	Outside edge to center drain	20"
B	Outside edge to overflow	4 1/2"
C	Total length	72"
D	Total width	40"
E	Bathing well length	49 1/8"
F	Bathing well width at foot area	25 1/8"
G	Raised seat length	17 1/8"
H	Deck width at backrest end	4 5/8"
I	Deck width	4 5/8"
J	Deck width	4 5/8"
K	Height from bottom of bath to top deck	23"
L	Total height to headrest	21"
M	Height from bottom of bath to bottom of lip (std deck)	19 1/2"
M'	Height from bottom of bath to bottom of lip (slim deck)	20 1/2"
N	Height from drain to center of overflow	17 1/8"
O	Maximum water level	15 3/8"
P	Slope of backrests	24°
Q	Minimum spout reach	8 3/4"
R	Slim deck minimum height	1/2"
S	Standard deck minimum height	1 1/2"

- A** AromaCloud® position
- C** Control position when factory-installed (Mia® or DOT)
- T** Turbine position (TMU)
- Indicates heated backrest (TMU)
- ☄ Indicates WarmTouchShell® position (TUB)

**TECHNICAL SPECIFICATIONS**

<b>Hot water supply required</b>	Should be 70% of water capacity of TUB or greater.
<b>Turbine</b>	Access to the pump must be at least 18" x 22". <b>Standard connection is 20 A, 120 V, 60 Hz</b> , dedicated line with a Ground-Fault Circuit Interrupter (GFCI). <b>For any additional option, a second line is needed 15 A, 120 V, 60 Hz</b> , dedicated line with a GFCI. Air vent necessary: 2" x 4" minimum.
<b>Therapeutic Comfort Cushion - INCLUDED</b>	- Made of ultras resistant urethane gel - Extremely comfortable and soft to the touch - Fully waterproof - Remarkably durable - Color available: Grey + Black
<b>Other</b>	<b>The GEYSAIR must always be accessible and connected to the hot water supply (provide access).</b>

Our products must be installed by certified professionals only and according to our Owner's Manual as well as federal, provincial/state and local building codes and regulations ([www.bainultra.com/documentation/documentation](http://www.bainultra.com/documentation/documentation)).

<b>Approx. shipping weight</b>	153 lbs
<b>Turbine power</b>	550 W
<b>Air heater</b>	600 W
<b>WARRANTY</b>	
Controls-LED-Geysair*	5 years
Bath & turbine*	20 years

\* Some restrictions apply | [www.bainultra.com/warranty](http://www.bainultra.com/warranty)



The specifications shown indicate the outer edge dimension and the inside bathing capacity dimension measured at air jets' height. The manufacturer accepts a 1/4" [0.64 cm] variance. There are variations on each product and specifications are subject to change as we improve upon our product as required. The dimensions needed for site preparation and structure building will differ. BainUltra® assumes no responsibility for preparatory work done prior to the product being on site.