

MERIDIAN UNO

60" x 31" x 20"

Named after the meridians of our body—the paths along which our energy flows—the collection also brings to mind the meridian (or mid-point) of life with an invitation to relax and listen to your body and mind.



PRODUCT NO.

MODEL	TMU	TUB
Alcove - Right	BMUCRA0RT-XX	BMUCRA0RN-XX
Alcove - Left	BMUCRA0LT-XX	BMUCRA0LN-XX

THERMOMASSEUR (TMU) Hydro-thermo massage • Air jet system	\$
Jets	36
1 heated backrest	Included
Mia® Control	Included
BU-Touch Control Application BUTOUCH NEW	\$
Geysair®	Included
AromaCloud** BAROMAC	\$
Illuzio Chromatherapy BCHRO6	\$

TUB Soaker	\$
AromaCloud** BAROMAC	\$
Illuzio Chromatherapy BCHRO6	\$
WarmTouchShell® BWTS	\$
DOT control	Included with therapy

FEATURES

Installation type	Alcove (3 walls)		
No. of bathers	2	Integrated tile flange and skirt not removable (specify right or left)	Included
US gallons	35		
Imp. gallons	29		

STANDARD COLOR		
		Included
White 01	Biscuit 02	

OPTIONS (UPCHARGE APPLICABLE)

WASTE & OVERFLOW 16" x 35" BOVER16-XX	
Chrome 07	\$
White 01 , Biscuit 02	\$
Brushed Nickel 09 , Polished Nickel 10 , Oil-rubbed Bronze 11	\$
CONTROL (TMU only)	
MiaPlus*** BMIAP1-XX	\$
IF REQUIRED BY CONSTRUCTION CODE	
16" x 35" Cable driven brass waste & overflow kit BOVERBR-XX	\$

* The AromaCloud® is built into the deck (factory installed).
 ** The MiaPlus® Control is included when purchasing Chromatherapy on a TMU.

TOTAL PRICE	\$
--------------------	----



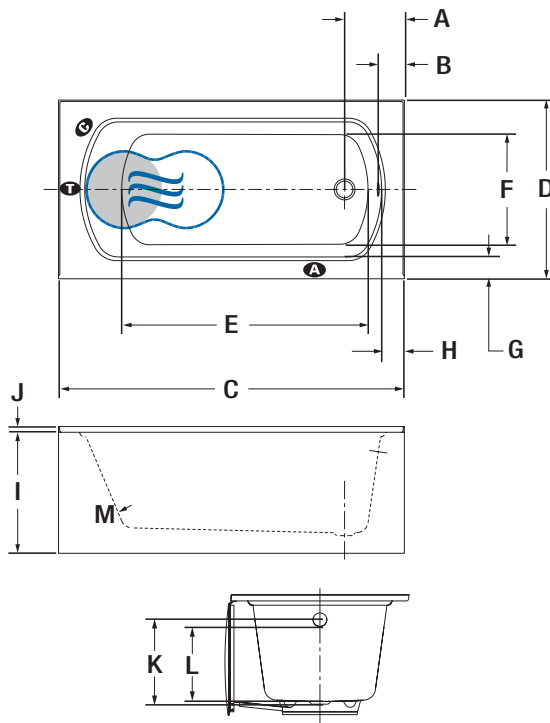
MERIDIAN UNO



Integrated tile flange

INSTALLATION

- A** When tile flange is added, the AromaCloud® will automatically be installed on the opposite side of the flange.



LETTER	DESCRIPTION	MEASURE
A	Outside edge to center drain	10 3/8"
B	Outside edge to overflow	5 7/8"
C	Total length	60"
D	Total width	31"
E	Bathing well length	42 3/4"
F	Bathing well width	19 5/16"
G	Deck width	3 1/4"
H	Deck width at drain end	4"
I	Height from bottom of bath to top deck	20"
J	Tile flange height	1"
K	Height from drain to center of overflow	14 5/8"
L	Maximum water level	13"
M	Slope of backrest	23°

- A** AromaCloud® position
- C** Control position when factory-installed (Mia® or DOT)
- T** Turbine position (TMU)
- Indicates heated backrest (TMU)
- ☞ Indicates WarmTouchShell® position (TUB)

TECHNICAL SPECIFICATIONS

Hot water supply required	Should be 70% of water capacity of TUB or greater.
Turbine	Access to the pump must be at least 18" x 22". Standard connection is 20 A, 120 V, 60 hz, dedicated line with a Ground-Fault Circuit Interrupter (GFCI). For any additional option, a second line is needed 15 A, 120 V, 60 hz, dedicated line with a GFCI. Air vent necessary: 2" x 4" minimum.
Others	<ul style="list-style-type: none"> - The GEYSAIR must always be accessible and connected to the hot water supply (provide access). - Integrated tile flange is included (specify right or left). - Integrated skirt can not be removed.

Our products must be installed by certified professionals only and according to our Owner's Manual as well as federal, provincial/state and local building codes and regulations (www.bainultra.com/documentation/documentation).

Approx. shipping weight	136 lbs
Turbine power	550 W
Air heater	600 W
WARRANTY	
Controls-LED-Geysair*	5 years
Bath & turbine*	20 years

* Some restrictions apply | www.bainultra.com/warranty



The specifications shown indicate the outer edge dimension and the inside bathing capacity dimension measured at air jets' height. The manufacturer accepts a 1/4" [0.64 cm] variance. There are variations on each product and specifications are subject to change as we improve upon our product as required. The dimensions needed for site preparation and structure building will differ. BainUltra® assumes no responsibility for preparatory work done prior to the product being on site.