

OPALIA 6839 OBLIQUE ELLIPSE - RIGHT

68" x 39" x 25" (FREESTANDING)

Presenting Opalia™, a collection of exquisitely crafted therapeutic baths with the bold, pure lines of a fascinating opal. Like so many magnificent jewels, Opalia oval baths play on elliptical perfection, with original deck designs that intrigue and delight.



PRODUCT NO.

MODEL	TMU	TUB
Freestanding	BOPPOFXRT-XX	BOPPOFXRN-XX

THERMOMASSEUR (TMU)	
Hydro-thermo massage • Air jet system	\$
Jets	35
1 heated backrest	Included
MiaPlus® Control (not installed)	Included
BU-Touch Control Application BUTOUCH NEW	\$
Geysair®	Included
AromaCloud** BAROMAC	\$
Illuzio Chromatherapy BCHRO6	\$
2 nd heated backrest (WTS-1 zone) BSHB	\$

TUB	
Soaker	\$
AromaCloud** BAROMAC	\$
Illuzio Chromatherapy BCHRO6	\$
WarmTouchShell® BWTS	\$
DOT control	Included with therapy
2 nd WarmTouchShell® BWTS2	\$

FEATURES

Installation type	Freestanding		
No. of bathers		Imp. gallons	42
US gallons	51		

INTEGRATED WASTE & OVERFLOW **BOVERINI-XX**

White 01, Chrome 07, Brushed Nickel 09, Polished Nickel 10	Installed & Included
--	----------------------

STANDARD COLOR

	Included
White 01	

OPTIONS (UPCHARGE APPLICABLE)

COLOR

	\$
Black / White 66	

FINISH

UltraVelour Matte Finish (White only) BVEL	\$
---	----

INTEGRATED WASTE & OVERFLOW **BOVERINI-XX**

Matte Black 19, Black Chrome 12, Satin Brass 18	\$
---	----

ISLAND TUB DRAIN™**

Island Tub Drain™ BISLDD	\$
Cast Iron Island Tub Drain™ BISLDDCI	\$

Don't forget to specify the **finish of the integrated waste & overflow**. Faucets must be freestanding or wall-mounted.
 * The AromaCloud® is built into the deck (factory installed).
 ** An Island Tub Drain™ is required when there is **no access under the bath**.

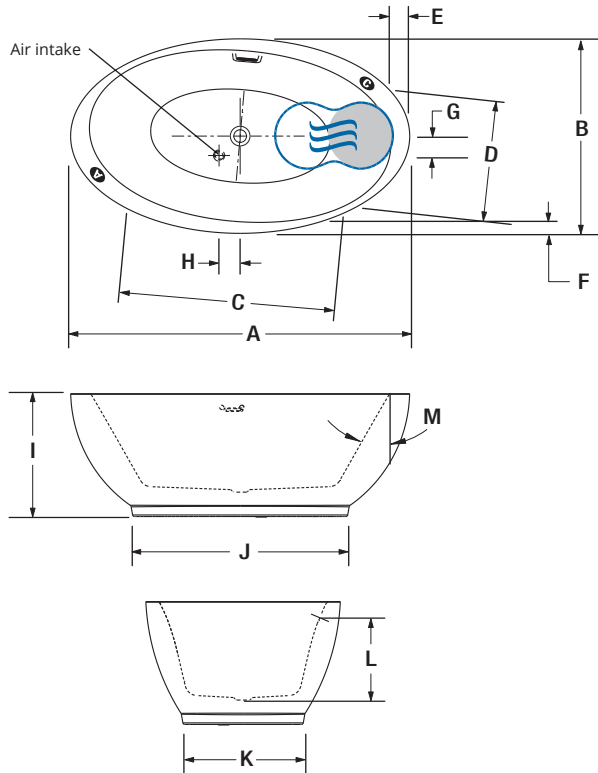
TOTAL PRICE \$



OPALIA 6839 OBLIQUE ELLIPSE - RIGHT (FREESTANDING)



INSTALLATION



LETTER	DESCRIPTION	MEASURE
A	Total length	68"
B	Total width	39"
C	Bathing well length (at height of jets)	41 5/8"
D	Bathing well width (at height of jets)	23 5/8"
E	Deck width (backrests)	3 7/8"
F	Deck width (center)	2 3/8"
G	Air intake to center of drain (long axis)	3 7/8"
H	Air intake to center of drain (trans. axis)	4 1/4"
I	Bath height	24 3/4"
J	Length of the base	43"
K	Width of the base	24"
L	Height from drain to center of overflow	16"
M	Slope of backrests	31°

- A** AromaCloud® position
- G** Control position when factory-installed (Mia® or DOT)
- Indicates heated backrest (TMU)
- ☁ Indicates WarmTouchShell® position (TUB)

TECHNICAL SPECIFICATIONS

Hot water supply required	Should be 70% of water capacity of TUB or greater.
Turbine	Access to the pump must be at least 18" x 22". Standard connection is 20 A, 120 V, 60 Hz , dedicated line with a Ground-Fault Circuit Interrupter (GFCI). For any additional option, a second line is needed 15 A, 120 V, 60 Hz , dedicated line with a GFCI.
Others	<ul style="list-style-type: none"> - The GEYSAIR must always be accessible and connected to the hot water supply (provide access). - Faucet must be freestanding or wall-mounted. - The turbine must be remotely installed.

Our products must be installed by certified professionals only and according to our Owner's Manual as well as federal, provincial/state and local building codes and regulations (www.bainultra.com/documentation/documentation).

Cutting template	# 90000073
Approx. shipping weight	230 lbs
Turbine power	550 W
Air heater	600 W
WARRANTY	
Controls-LED-Geysair*	5 years
Bath & turbine*	20 years

* Some restrictions apply | www.bainultra.com/warranty



The specifications shown indicate the outer edge dimension and the inside bathing capacity dimension measured at air jets' height. The manufacturer accepts a 1/4" [0.64 cm] variance. There are variations on each product and specifications are subject to change as we improve upon our product as required. The dimensions needed for site preparation and structure building will differ. BainUltra® assumes no responsibility for preparatory work done prior to the product being on site.