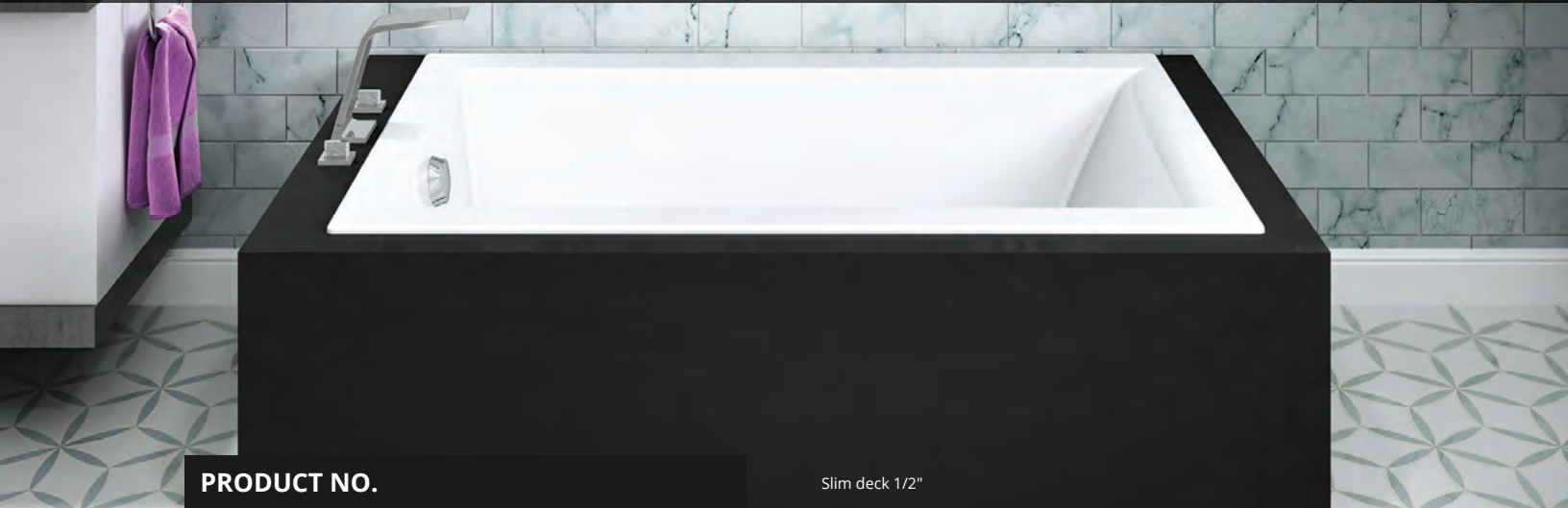


ORIGAMI 6032 ORIGINAL SERIES

60" x 32" x 21"

The traditional Japanese art of folding paper into symbolic shapes is the inspiration behind the Origami Collection, which stands out for its clean lines and versatility.



PRODUCT NO.

Slim deck 1/2"

DESCRIPTION	TMU	TUB
3 1/4" deck	BOODRI00T-XX	BOODRI00N-XX
2" deck	BOODRI20T-XX	BOODRI20N-XX
Slim deck	BOODRI10T-XX	BOODRI10N-XX

THERMOMASSEUR (TMU)	
Hydro-thermo massage • Air jet system	\$
Jets	38
1 heated backrest	Included
MiaPlus® Control	Included
BU-Touch Control Application BUTOUCH NEW	\$
Geysair®	Included
AromaCloud** BAROMAC	\$
Illuzio Chromatherapy BCHRO6	\$

TUB	
Soaker	\$
AromaCloud** BAROMAC	\$
Illuzio Chromatherapy BCHRO6	\$
WarmTouchShell® BWTS	\$
DOT control	Included with therapy

FEATURES			
Installation type	Drop-in: 1/2", 2" & 3 1/4" Undermount & Alcove (3 walls): 2"		
No. of bathers	↓	Imp. gallons	40
US gallons	48		
STANDARD COLOR			
		Included	
White 01	Biscuit 02		

OPTIONS (UPCHARGE APPLICABLE)

FINISH

UltraVelour Matte Finish (White only) BVEL	\$
---	----

WASTE & OVERFLOW	16" x 35" BOVER16-XX	INTE-GRATED BOVERIN-XX
Chrome 07	\$	\$
White 01 , Biscuit 02	\$	\$
Brushed Nickel 09 , Polished Nickel 10	\$	\$
Oil-rubbed Bronze 11	\$	N/A
Black Chrome 12 , Matte Black 19 , Satin Brass 18	N/A	\$

SKIRT (2" lip only)	MULTIFIT BSMUL-XX	SJ-1 BSJ1-XX
White 01 , Biscuit 02	\$	\$

TILE FLANGE (with 2" lip only) (specify right or left)

Ordered with bath (not installed) BTILEN	\$
Factory-installed. Right BTILER , Left BTILEL , Special installation BTILEO	\$

IF REQUIRED BY CONSTRUCTION CODE

Brass waste & overflow kit** BDRCOB	\$
Brass waste kit** BDRCB	\$
16" x 35" Cable driven brass waste & overflow kit BOVERBR-XX	\$

💡 Don't forget to indicate the deck height (1/2", 2" or 3 1/4").
Slim deck are available for Drop-in installation only.
* The AromaCloud® is built into the deck (factory installed).
** When ordered with integrated waste & overflow.

TOTAL PRICE	\$
--------------------	----

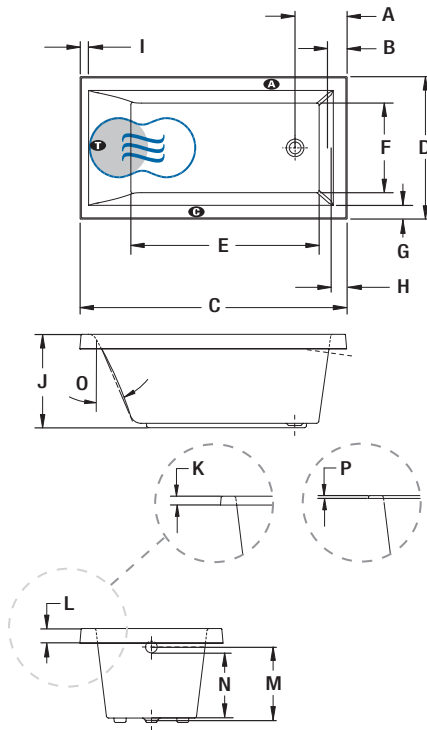


ORIGAMI 6032 ORIGINAL SERIES



INSTALLATION

A When tile flange is added, the AromaCloud® will automatically be installed on the opposite side of the flange.



LETTER	DESCRIPTION	MEASURE
A	Outside edge to center drain	11 5/8"
B	Outside edge to overflow	4 1/4"
C	Total length (with 1/2" deck height)	59 3/4"
	Total length (with 2" deck height)	60"
	Total length (with 3 1/4" deck height)	60 1/4"
D	Total width (with 1/2" deck height)	31 5/8"
	Total width (with 2" deck height)	31 7/8"
	Total width (with 3 1/4" deck height)	32 1/8"
E	Bathing well length	42 5/8"
F	Bathing well width	20 3/8"
G	Deck width	3 5/8"
H	Deck width at drain end	3 7/8"
I	Deck width at backrest	2"
J	Height from bottom of bath to top deck	21"
K	Height from bottom of lip to top deck	2"
L	Height from bottom of lip to top deck	3 1/4"
M	Height from drain to center of overflow	16 1/8"
N	Maximum water level	14 1/4"
O	Slope of backrest	24°
P	Height from bottom of lip to top deck	1/2"

- A** AromaCloud® position
- C** Control position when factory-installed (Mia® or DOT)
- T** Turbine position (TMU)
- Indicates heated backrest (TMU)
- ☄ Indicates WarmTouchShell® position (TUB)

TECHNICAL SPECIFICATIONS

Hot water supply required	Should be 70% of water capacity of TUB or greater.
Turbine	Access to the pump must be at least 18" x 22". Standard connection is 20 A, 120 V, 60 hz , dedicated line with a Ground-Fault Circuit Interrupter (GFCI). For any additional option, a second line is needed 15 A, 120 V, 60 hz , dedicated line with a GFCI. Air vent necessary: 2" x 4" minimum.
Others	- The GEYSAIR must always be accessible and connected to the hot water supply (provide access). - Optional tile flange with 2" lip height only (specify right or left).

Our products must be installed by certified professionals only and according to our Owner's Manual as well as federal, provincial/state and local building codes and regulations (www.bainultra.com/documentation/documentation).

Cutting template	# 90000048
Approx. shipping weight	130 lbs
Turbine power	550 W
Air heater	600 W
WARRANTY	
Controls-LED-Geysair*	5 years
Bath & turbine*	20 years

* Some restrictions apply | www.bainultra.com/warranty



The specifications shown indicate the outer edge dimension and the inside bathing capacity dimension measured at air jets' height. The manufacturer accepts a 1/4" [0.64 cm] variance. There are variations on each product and specifications are subject to change as we improve upon our product as required. The dimensions needed for site preparation and structure building will differ. BainUltra® assumes no responsibility for preparatory work done prior to the product being on site.