

# ORIGAMI 7242 ORIGINAL SERIES

72" x 42" x 22"

The traditional Japanese art of folding paper into symbolic shapes is the inspiration behind the Origami Collection, which stands out for its clean lines and versatility.



Slim deck 1/2"

## PRODUCT NO.

DESCRIPTION	TMU	TUB
5" deck	BOOVRI00T-XX	BOOVRI00N-XX
2" deck	BOOVRI20T-XX	BOOVRI20N-XX
Slim deck	BOOVRI10T-XX	BOOVRI10N-XX

THERMOMASSEUR (TMU)	
Hydro-thermo massage • Air jet system	\$
Jets	44
1 heated backrest	Included
MiaPlus® Control	Included
BU-Touch Control Application <b>BUTOUCH NEW</b>	\$
Geysair®	Included
AromaCloud®** <b>BAROMAC</b>	\$
Illuzio Chromatherapy <b>BCHRO6</b>	\$
2 <sup>nd</sup> heated backrest (WTS-1 zone) <b>BSHB</b>	\$

TUB	
Soaker	\$
AromaCloud®** <b>BAROMAC</b>	\$
Illuzio Chromatherapy <b>BCHRO6</b>	\$
WarmTouchShell® <b>BWTS</b>	\$
DOT control	Included with therapy
2 <sup>nd</sup> WarmTouchShell® <b>BWTS2</b>	\$

## FEATURES

Installation type	Drop-in: 1/2", 2" & 5" Undermount & Alcove (3 walls): 2"		
No. of bathers		Imp. gallons	60
US gallons	72		

## STANDARD COLOR

		Included
White 01	Biscuit 02	

## OPTIONS (UPCHARGE APPLICABLE)

### FINISH

UltraVelour Matte Finish (White only) <b>BVEL</b>	\$
---	----

### WASTE & OVERFLOW

	16" x 35" <b>BOVER16-XX</b>	INTE-GRATED <b>BOVERIN-XX</b>
Chrome <b>07</b>	\$	\$
White <b>01</b> , Biscuit <b>02</b>	\$	\$
Brushed Nickel <b>09</b> , Polished Nickel <b>10</b>	\$	\$
Oil-rubbed Bronze <b>11</b>	\$	N/A
Black Chrome <b>12</b> , Matte Black <b>19</b> , Satin Brass <b>18</b>	N/A	\$

### SKIRT (2" lip only)

	MULTIFIT <b>BSMUL-XX</b>	SJ-1 <b>BSJ1-XX</b>
White <b>01</b> , Biscuit <b>02</b>	\$	\$

### TILE FLANGE (with 2" lip only) (specify front or back)

Ordered with bath (not installed) <b>BTILEN</b>	\$
Factory-installed. Front <b>BTILEF</b> , Back <b>BTILEB</b> , Special installation <b>BTILEO</b>	\$

### IF REQUIRED BY CONSTRUCTION CODE

Brass waste & overflow kit** <b>BDRCOB</b>	\$
Brass waste kit** <b>BDRCB</b>	\$
16" x 35" Cable driven brass waste & overflow kit <b>BOVERBR-XX</b>	\$



Don't forget to indicate the deck height (1/2", 2" or 5").  
Slim deck are available for Drop-in installation only.  
\* The AromaCloud® is built into the deck (factory installed).  
\*\* When ordered with integrated waste & overflow.

**TOTAL PRICE** \$



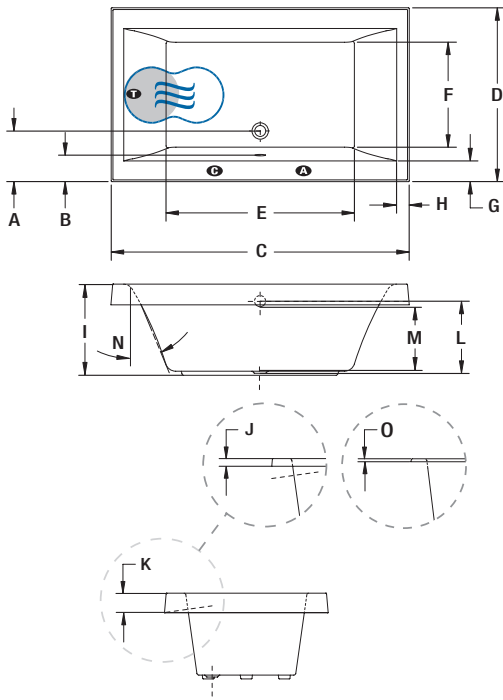
## ORIGAMI 7242 ORIGINAL SERIES



5" deck

### INSTALLATION

- A** When tile flange is added, the AromaCloud® will automatically be installed on the opposite side of the flange.



LETTER	DESCRIPTION	MEASURE
A	Outside edge to center drain	12 1/4"
B	Outside edge to overflow	5 3/8"
C	Total length (with 1/2" deck height)	71 1/4"
	Total length (with 2" deck height)	71 5/8"
	Total length (with 5" deck height)	72 1/8"
D	Total width (with 1/2" deck height)	41 1/4"
	Total width (with 2" deck height)	41 5/8"
	Total width (with 5" deck height)	42 1/8"
E	Bathing well length	45"
F	Bathing well width	26 1/4"
G	Deck width	5 3/8"
H	Deck width at backrest ends	3"
I	Height from bottom of bath to top deck	22"
J	Height from bottom of lip to top deck	2"
K	Height from bottom of lip to top deck	5"
L	Height from drain to center of overflow	17 1/8"
M	Maximum water level	16"
N	Slope of backrests	24°
O	Height from bottom of lip to top deck	1/2"

- A** AromaCloud® position
- G** Control position when factory-installed (Mia® or DOT)
- T** Turbine position (TMU)
- Indicates heated backrest (TMU)
- ☞ Indicates WarmTouchShell® position (TUB)

### TECHNICAL SPECIFICATIONS

<b>Hot water supply required</b>	Should be 70% of water capacity of TUB or greater.
<b>Turbine</b>	Access to the pump must be at least 18" x 22". <b>Standard connection is 20 A, 120 V, 60 hz</b> , dedicated line with a Ground-Fault Circuit Interrupter (GFCI). <b>For any additional option, a second line is needed 15 A, 120 V, 60 hz</b> , dedicated line with a GFCI. Air vent necessary: 2" x 4" minimum.
<b>Others</b>	- <b>The GEYSAIR must always be accessible and connected to the hot water supply (provide access).</b> - Optional tile flange with 2" lip height only (specify front or back).

Our products must be installed by certified professionals only and according to our Owner's Manual as well as federal, provincial/state and local building codes and regulations ([www.bainultra.com/documentation/documentation](http://www.bainultra.com/documentation/documentation)).

<b>Cutting template</b>	# 90000052
<b>Approx. shipping weight</b>	140 lbs
<b>Turbine power</b>	550 W
<b>Air heater</b>	600 W

#### WARRANTY

Controls-LED-Geysair*	5 years
Bath & turbine*	20 years

\* Some restrictions apply | [www.bainultra.com/warranty](http://www.bainultra.com/warranty)



The specifications shown indicate the outer edge dimension and the inside bathing capacity dimension measured at air jets' height. The manufacturer accepts a 1/4" [0.64 cm] variance. There are variations on each product and specifications are subject to change as we improve upon our product as required. The dimensions needed for site preparation and structure building will differ. BainUltra® assumes no responsibility for preparatory work done prior to the product being on site.