

THALASSA 50

60" x 31" x 19"

Thalassa means "the sea," where all states of being co-mingle.



PRODUCT NO.

MODEL	TMU	TUB
Drop-in	BTHCRB00T-XX	BTHCRB00N-XX
Alcove - Left	BTHCRB0LT-XX	BTHCRB0LN-XX
Alcove - Right	BTHCRB0RT-XX	BTHCRB0RN-XX

THERMOMASSEUR (TMU)	
Hydro-thermo massage • Air jet system	\$
Jets	36
1 heated backrest	Included
Mia® Control	Included
BU-Touch Control Application BUTOUCH NEW	\$
Geysair®	Included
AromaCloud®** BAROMAC	\$
Illuzio Chromatherapy BCHRO6	\$

TUB	
Soaker	\$
AromaCloud®** BAROMAC	\$
Illuzio Chromatherapy BCHRO6	\$
WarmTouchShell® BWTS	\$
DOT control	Included with therapy

FEATURES

Installation type	Drop-in & Alcove (3 walls)		
No. of bathers	2	Armrests	2
US gallons	41	Grab bars (color match)	2
Imp. gallons	34	Integrated tile flange	Included

STANDARD COLOR

 White 01	 Biscuit 02	Included
---	---	----------

OPTIONS (UPCHARGE APPLICABLE)

WASTE & OVERFLOW 16" x 35" BOVER16-XX		
Chrome 07		\$
White 01 , Biscuit 02		\$
Brushed Nickel 09 , Polished Nickel 10 , Oil-rubbed Bronze 11		\$
CONTROL (TMU only)		
MiaPlus®** BMIAP1-XX		\$
SKIRT		
	MULTIFIT BSMUL-XX	SJ-1 BSJ1-XX
White 01 , Biscuit 02	\$	\$
CLEAR ACRYLIC GRAB BARS BGBG10-XX		
With Chrome 07 or Brushed Nickel 09 inserts		\$
IF REQUIRED BY CONSTRUCTION CODE		
16" x 35" Cable driven brass waste & overflow kit BOVERBR-XX		\$



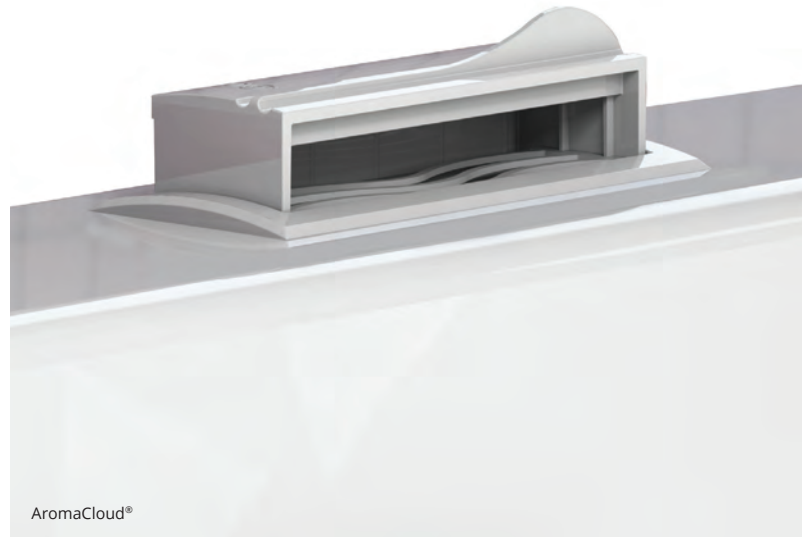
* The AromaCloud® is built into the deck (factory installed).

** The MiaPlus® Control is Included when purchasing Chromatherapy on a TMU.

TOTAL PRICE \$



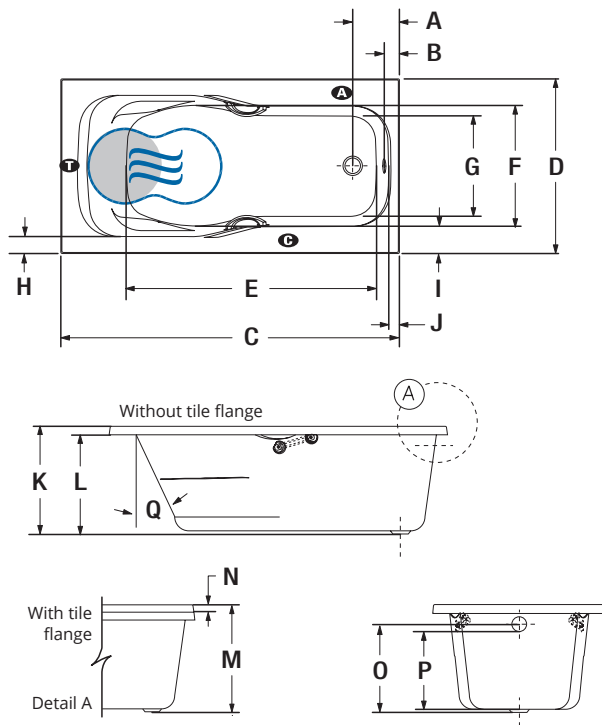
THALASSA 50



AromaCloud®

INSTALLATION

A When tile flange is added, the AromaCloud® will automatically be installed on the opposite side of the flange.



LETTER	DESCRIPTION	MEASURE
A	Outside edge to center drain	8 3/8"
B	Outside edge to overflow	2 3/8"
C	Total length	60"
D	Total width	31"
E	Bathing well length	44 3/8"
F	Bathing well width at seat area	21 1/4"
G	Bathing well width at foot area	17 3/4"
H	Deck width (narrowest point)	3 1/8"
I	Deck width (widest point)	4 7/8"
J	Deck width at drain end	2"
K	Height from bottom of bath to top deck	19 1/2"
L	Height from bottom of bath to bottom of lip	18"
M	Height from bottom of bath to top of tile flange	20 1/2"
N	Tile flange height	1"
O	Height from drain to center of overflow	15 5/8"
P	Maximum water level	13 3/4"
Q	Slope of backrest	25°

- A** AromaCloud® position
- T** Turbine position (TMU)
- G** Control position when factory-installed (Mia® or DOT)
- Indicates heated backrest (TMU)
- ☄ Indicates WarmTouchShell® position (TUB)

TECHNICAL SPECIFICATIONS

Hot water supply required	Should be 70% of water capacity of TUB or greater.
Turbine	Access to the pump must be at least 18" x 22". Standard connection is 20 A, 120 V, 60 hz , dedicated line with a Ground-Fault Circuit Interrupter (GFCI). For any additional option, a second line is needed 15 A, 120 V, 60 hz , dedicated line with a GFCI. Air vent necessary: 2" x 4" minimum.
Others	- The GEYSAIR must always be accessible and connected to the hot water supply (provide access). - There is a height difference for the integrated tile flange (see drawing Detail A). - Available with or without integrated tile flange (specify right or left) at the same price.

Our products must be installed by certified professionals only and according to our Owner's Manual as well as federal, provincial/state and local building codes and regulations (www.bainultra.com/documentation/documentation).

Approx. shipping weight	104 lbs
Turbine power	550 W
Air heater	600 W
WARRANTY	
Controls-LED-Geysair*	5 years
Bath & turbine*	20 years

*Some restrictions apply | www.bainultra.com/warranty



The specifications shown indicate the outer edge dimension and the inside bathing capacity dimension measured at air jets' height. The manufacturer accepts a 1/4" [0.64 cm] variance. There are variations on each product and specifications are subject to change as we improve upon our product as required. The dimensions needed for site preparation and structure building will differ. BainUltra® assumes no responsibility for preparatory work done prior to the product being on site.